



**Drum Sander  
EZ-8  
Operator's Manual  
Original Instructions**



## READ THIS BOOK

This book has important information for the use and safe operation of this machine. Failure to read this book prior to operating or attempting any service or maintenance procedure to your American Sanders machine could result in injury to you or to other personnel; damage to the machine or to other property could occur as well. You must have training in the operation of this machine before using it. If your operator(s) cannot read this manual, have it explained fully before attempting to operate this machine.

All directions given in this book are as seen from the operator's position at the rear of the machine.

EN

### Contents

Operator Safety Instructions.....	2-5
Introduction.....	6
Machine Specifications.....	6
Electrical Connection Instructions.....	7
Machine Transportation.....	8
Machine Setup.....	9-10
Operating Instructions.....	11
Adjustment Procedures.....	12
Maintenance.....	12
Troubleshooting.....	13
Handle Assembly.....	38-39
Handle Assembly.....	40-41
Base Assembly.....	42-43
Motor Assembly.....	44-45
Dust Control Assembly.....	46-47
Sanding Drum Assembly.....	48-49
Wiring Diagram.....	50
Warranty.....	51
Declaration of Conformity .....	54

### **WARNING!**

The Products sold with this Manual contain or may contain chemicals that are known to certain governments (such as the State of California, as identified in its Proposition 65 Regulatory Warning Law) to cause cancer, birth defects or other reproductive harm. In certain locations (including the State of California) purchasers of these Products that place them in service at an employment job site or a publicly accessible space are required by regulation to make certain notices, warnings or disclosures regarding the chemicals that are or may be contained in the Products at or about such work sites. It is the purchaser's responsibility to know the content of, and to comply with, any laws and regulations relating to the use of these Products in such environments. The Manufacturer disclaims any responsibility to advise purchasers of any specific requirements that may be applicable to the use of the Products in such environments.

**\*\*\*This product is intended for commercial use only\*\*\***

## Operator Safety Instructions

In this Operation Manual you will find three statements that you must read and observe to ensure safe operation of this machine.

**DANGER** means: Severe bodily injury or death can occur to you or other personnel if the **DANGER** statements found on this machine or in this Operation Manual are ignored or are not adhered to. Read and observe all **DANGER** statements found in this Operation Manual and on your machine.

**WARNING** means: Injury can occur to you or to other personnel if the **WARNING** statements found on your machine or in the Operation Manual are ignored or are not adhered to. Read and observe all **WARNING** statements found in this Operation Manual and on your machine.

**CAUTION** means: Damage can occur to the machine or to other property if the **CAUTION** statements found on your machine or in this Operation Manual are ignored or are not adhered to. Read and observe all **CAUTION** statements found in this Operation Manual and on your machine.

**DANGER:**

Failure to read the Owner's Manual prior to operating or servicing your American Sanders machine could result in injury to you or to other personnel; damage to the machine or to other property could occur as well. You must have training in the operation of this machine before using it. If you or your operator(s) cannot read English, have this manual explained fully before attempting to operate this machine.

**DANGER:**

- A. Cigarette lighters, pilot lights and any other source of ignition can create an explosion when active during a sanding session. All sources of ignition should be extinguished or removed entirely if possible from the work area.
- B. Work areas that are poorly ventilated can create an explosive environment when certain combustible materials are in the atmosphere, i.e., solvents, thinners, alcohol, fuels, certain finishes, wood dust and other combustible materials. Floor sanding equipment can cause flammable material and vapors to burn. Read the manufacturer's label on all chemicals used to determine combustibility. Keep the work area well ventilated.

**DANGER:**

- C. Spontaneous combustion or an explosion can occur when working with sanding dust. The sanding dust can self-ignite and cause injury or damage. Sanding dust should be disposed of properly. Always empty the sanding dust into a metal container that is located outside of any building(s).

- D. Remove the contents of the dust bag when the bag is 1/3 full. Remove the contents of the dust bag each time you finish using the equipment. Never leave a dust bag unattended with sanding dust in it.

- E. Do not empty the contents of the dust bag into a fire.

- F. Hitting a nail while sanding can cause sparks and create an explosion or fire. Always use a hammer and punch to countersink all nails before sanding floors.

**DANGER:**

Moving parts. Contact can cause severe injury.

- A. Disconnect machine from power source before accessing the sanding drum, drive belts, or fan chamber.

- B. Do not operate unless drum cover, belt guard, and dust pipe are in place.

- C. Never leave machine unattended while motor is running or connected to power source.

**WARNING::**

This sanding equipment requires a supply of electricity. Improper use could result in electrical shock or fire.

- A. Connect only to an electrical source matching what is shown on the equipment nameplate.

- B. Do not use this sanding equipment on an ungrounded electrical circuit. Consult an electrician if you suspect the circuit is not properly grounded.

- C. Do not use this sanding equipment with a damaged electrical cord. Inspect before each use.

- D. Avoid striking the electrical cord with the abrasive. Always lift the electrical cord over the sanding equipment.

- E. Do not use the electrical cord to move the sanding equipment.

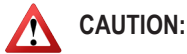
- F. Disconnect the electrical source before servicing this equipment.

**WARNING::****WARNING::****WARNING::**

Bodily injury could occur if power is applied to the equipment with the power switch already in the "ON" position. Always check to assure that the power switch is in the "OFF" position before connecting power supply.

**WARNING:**

Risk of explosion. Floor sanding can result in an explosive mixture of fine dust and air. Use floor sanding machine only in a well-ventilated area free from any flame or match.

**CAUTION:**

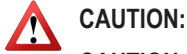
Maintenance and repairs performed by unauthorized personnel could result in damage or injury. Maintenance and repairs performed by unauthorized personnel will void your warranty. Servicing of this unit must always be referred to an authorized American Sanders distributor.

**CAUTION:**

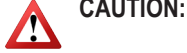
Use of this equipment to move other objects or to climb on could result in injury or damage. Do not use this equipment as a step or furniture. Do not ride on this equipment.

**CAUTION:**

Damage could occur to the equipment if not properly kept in a dry building for storage. Store the equipment in a dry building.

**CAUTION:**

The equipment is heavy. When transporting the equipment, remove the motor. Get help to lift the equipment and motor.

**CAUTION:**

Serious damage to the floor can occur if the sanding equipment is left running in one spot while the sanding drum is in contact with the floor. To avoid damage to the floor, feather cut in at a normal sanding rate. Do not dwell while lowering or raising the contact wheel. Always sand at a constant rate.

- f) **If operating a power tool in a damp location is unavoidable, use a residual current device (RCD) or ground fault circuit interrupter (GFCI) protected supply.** Use of a RCD or GFCI reduces the risk of electric shock.

### 3) Personal safety

- a) **Stay alert, watch what you are doing and use common sense when operating a power tool. Do not use a power tool while you are tired or under the influence of drugs, alcohol, or medication.** A moment of inattention while operating power tools may result in serious personal injury.
- b) **Use personal protective equipment. Always wear eye protection.** Protective equipment such as dust mask, non-skid safety shoes, hard hat, or hearing protection used for appropriate conditions will reduce personal injury.
- c) **Prevent unintentional starting. Ensure switch is in off-position before connecting to power source and/or battery pack, picking up, or carrying the tool.** Carrying power tools with your finger on the switch or energizing power tools that have the switch on invites accidents.
- d) **Remove any adjustment wrench or key before turning the power tool on.** A wrench or key left attached to a rotating part of the power tool may result in personal injury.
- e) **Do not overreach. Keep proper footing and balance at all times.** This enables better control of the power tool in unexpected situations.
- f) **Dress properly. Do not wear loose clothing or jewelry. Keep your hair, clothing and gloves away from moving parts.** Loose clothes, jewelry, or long hair can be caught in moving parts.
- g) **If devices are provided for the connection of dust extraction and collection facilities, ensure these are connected and properly used.** Use of dust collection can reduce dust related hazards. It is recommendation that the tool always be supplied via a residual current device with a rated residual current of 30mA or less.

### 4) Power tool use and care

- a) **Do not force the power tool. Use the correct power tool for your application.** The correct power tool will do the job better and safer at the rate for which it was designed.
- b) **Do not use the power tool if the switch does not turn it on and off.** Any power tool that cannot be controlled with the switch is dangerous and must be repaired.
- c) **Disconnect the plug from the power source and/or the battery pack from the power tool before making any adjustments, changing accessories or storing power tools.** Such preventative safety measures reduce the risk of starting the power tool accidentally.
- d) **Store idle power tools out of the reach of children and do not allow persons unfamiliar with the power tool or these instructions to operate the power tool.** Power tools are dangerous in the hands of untrained users.
- e) **Maintain power tools. Check for misalignment or binding of moving parts, breakage of parts and any other condition that may affect the power tool's operation. If damaged, have the power tool repaired before use.** Many accidents are caused by poorly maintained power tools.
- f) **Keep cutting tools sharp and clean.** Properly maintained cutting tools with sharp cutting edges are less likely to bind and are easier to control.
- g) **Use the power tool, accessories and tool bits ect. in accordance with these instructions, taking into account the working conditions and the work to be performed.** Use of the power tool for operations different from those intended could result in a hazardous situation.

### 5) Service

- a) **Have the power tool serviced by a qualified repair person using only identical replacement parts.** This will ensure that the safety of the power tool is maintained. If the supply cord is damaged, it must be replaced by the manufacturer, its service agent or similarly qualified persons in order to avoid a hazard.

### Safety Warnings For Sanding Operations

1. This power tool is intended to function as a sander. Read all safety warnings, instructions and specifications provided with this power tool. Failure to follow all instructions listed below may result in electric shock, fire, or personal injury.
2. Operations such as grinding, wire brushing, polishing or cutting-off, are not recommended to be performed with this power tool. Operations for which the tool was not designed may create a hazard and cause personal injury.
3. Do not use accessories which are not specifically designed and recommended by the tool manufacturer. Just because the accessory can be attached to your power tool, it does not assure safe operation.
4. The rated speed of the accessory must be at least equal to the maximum speed marked on the power tool. Accessories running faster than their rated speed can break and fly apart.
5. The outside diameter and thickness of your accessory must be within the capacity rating of your power tool. Incorrectly sized accessories cannot be adequately guard or controlled.
6. The arbor size of wheels, flanges, backing pads or any other accessory must fit the spindle of the power tool. Accessories with arbor holes that do not match the mounting hardware of the power tool will run out of balance, vibrate excessively and may cause loss of control.
7. Do not use damaged accessory. Before each use inspect the accessory such as abrasive wheel for chips or cracks, backing pad for cracks, tear or excess wear, wire brush for loose or cracked wires. If power tool or accessory is dropped, inspect for damage or install an undamaged accessory. After inspecting or installing an accessory, position yourself or bystanders away from the plane of the rotating accessory and run the power tool at maximum no-load speed for one minute. Damaged accessories will normally break apart during this time.

8. Wear personal protective equipment. Depending on application, use face shield, safety goggles or safety glasses. As appropriate, wear dust mask, hearing protectors, gloves and workshop apron capable of stopping flying debris generated by various operations. The eye protection must be capable of stopping flying debris generated by various operations. The dust mask or respirator must be capable of filtering particles generated by your operations. Prolonged exposure to high intensity noise may cause hearing loss.
9. Keep bystanders a safe distance away from work area. Anyone entering the work area must wear personal protective equipment. Fragments of work piece or a broken accessory may fly away and cause injury beyond immediate area of operation.
10. Hold power tool by gripping insulated surfaces (handle) only, when performing an operation where the cutting accessory may contact hidden wiring or its own cord. Cutting accessory contacting a "live" wire may make exposed metal parts of the power tool "live" and shock the operator.
11. Position the cord clear of the spinning accessory. If you lose control, the cord may be cut or snagged and your arm or hand may be pulled into the spinning accessory.
12. Never lay the power tool down until the accessory has come to a complete stop. The spinning accessory may grab the surface and pull the power tool out of your control.
13. Do not run the power tool while carrying it at your side. Accidental contact with the spinning accessory could snag your clothing, pulling the accessory into your body.
14. Regularly clean the power tools air vents. The motor's fan will draw the dust inside the housing and excessive accumulation may cause electrical hazards.
15. Do not operate the power tool near flammable materials. Sparks could ignite these materials.
16. Do not use excessively oversized sanding disc paper. Follow manufacturer's recommendations when selecting sanding paper. Larger sanding paper extending beyond the sanding pad presents a laceration hazard and may cause snagging, tearing of the disc or kickback.
17. Risk of explosion. Floor sanding can result in an explosive mixture of fine dust and air. Use floor sanding machine only in a well-ventilated area free from any flame or match.

### **Kickback and Related Warnings**

Kickback is a sudden reaction to a pinched or snagged rotating wheel, backing pad, brush or any other accessory. Pinching or snagging causes rapid stalling of the rotating backing pad which in turn causes uncontrolled power tool to be forced in the opposite direction of the backing pad's rotation at the point of the binding.

For example, if an abrasive wheel is snagged or pinched by the work piece, the edge of the wheel that is entering into the pinch point can dig into the surface of the material causing the wheel to climb out or kick out. The wheel may either jump toward or away from the operator, depending on direction of the wheel's movement at the point of pinching. Abrasive wheels may also break under these conditions.

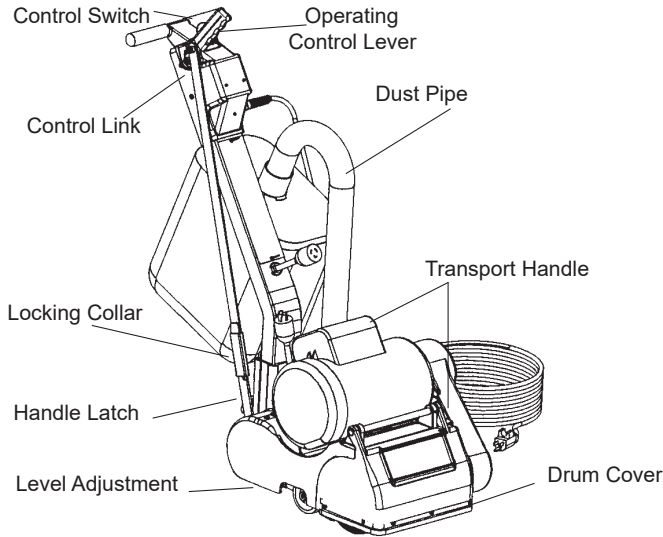
Kickback is the result of power tool misuse and incorrect operating procedures or conditions and can be avoided by taking proper precautions as given below.

1. Maintain a firm grip on the power tool and position your body and arms to allow you to resist kickback forces. Always use auxiliary handles, if provided for maximum control over kickback or torque reactions during start up. The operator can control torque reactions or kickback forces, if proper precautions are taken.
2. Never place your hand near the rotating accessory. Accessory may kickback over your hand.
3. Do not position your body in the area where power tool will move if kickback occurs. Kickback will propel the tool in the direction opposite to the wheel's movement at the point of the snagging.
4. Use special care when working corners, sharp edges etc. Avoid bouncing and snagging the accessory. Corners, sharp edges or bouncing have a tendency to snag the rotating accessory and cause loss of control or kickback.

### **Additional Rules For Safe Operation**

1. Empty the dust bag or dust collection receiver frequently. Do not leave residue in dust bag or dust collection receiver unattended. Always empty in a non-combustible metal container. Sanding wood or varnish produces dust that can self ignite and cause injury or damage. Follow this precaution for storage.
2. Set all exposed nails. Sweep loose abrasive away from work area. Do not strike metal pipes, ect., with sanding paper. Striking metal or abrasive particles with sanding paper produces sparks that could ignite the sanding dust which can cause injury or damage.
3. Do not operate a partially assembled power tool. Keep all adjustments within manufacturer's specifications. Keep all fasteners tight. Operating a partially assembled power tool could result in injury to the operator or bystander and could cause damage to the equipment or surroundings.
4. Do not attempt to change the sanding paper while the power tool is running. The sanding pad can snag clothing and cause injury to limbs and moving sanding paper can cause abrasions.
5. The power tool should only be used on an electrical system (mains) that is rated for the electrical requirements of the power tool as shown on the nameplate. Use only on an earthing (grounded) system. Do not service the power tool if it is energized or connected to an electrical circuit. Improper use could cause fire or electric shock.

## Introduction




**CAUTION:** Your equipment may be inappropriate on some installations. Always consult with the flooring manufacturer on the proper installation, preparation, and finishing of their product. Determine suitability of your equipment in preparing the product.

Model	07012A	07058A	07060A	07084A	07057A
<b>Abrasive Size</b>	8" x 19" sleeve (20.3 x 48.2 cm)	8" x 19" sleeve (20.3 x 48.2 cm)	8" x 19" sleeve (20.3 x 48.2 cm)	8" x 19" sleeve (20.3 x 48.2 cm)	8" x 19" sleeve (20.3 x 48.2 cm)
<b>Abrasive Rate</b>	2830 ft/min	2830 ft/min	2830 ft/min	2830 ft/min	2830 ft/min
<b>Drum Rate</b>	1800 RPM	1800 RPM	1500 RPM	1500 RPM	1800 RPM
<b>Dust Control Rate</b>	76 CFM	76 CFM	64 CFM	64 CFM	76 CFM
<b>Drum Pressure</b>	25 lbs (11.4 kg)	25 lbs (11.4 kg)	25 lbs (11.4 kg)	25 lbs (11.4 kg)	25 lbs (11.4 kg)
<b>Leveling Controls</b>	Externally Adjustable	Externally Adjustable	Externally Adjustable	Externally Adjustable	Externally Adjustable
<b>Operating Controls</b>	Lever Operated	Lever Operated	Lever Operated	Lever Operated	Lever Operated
<b>Motor</b>	1½ HPTEFC Thermally Protected	1½ HPTEFC Thermally Protected	1½ HPTEFC Thermally Protected	1½ HPTEFC Thermally Protected	1½ HPTEFC Thermally Protected
<b>Power Cable</b>	40' (12.1m) 12 Gauge Abrasive Resistant	40' (12.1m) 12 Gauge Abrasive Resistant	50' (15.2m) 12 Gauge Abrasive Resistant	40' (12.1m) 12 Gauge Abrasive Resistant	40' (12.1m) 12 Gauge Abrasive Resistant
<b>Voltage Frequency</b>	115 / 60	115 / 60	240 / 50	240 / 50	115 / 60
<b>Amperage</b>	12	12	6	6	12
<b>Dimensions (in)*</b>	21½" x 16" x 35½" (54.6 x 40.6 x 90.2 cm)	21½" x 16" x 35½" (54.6 x 40.6 x 90.2 cm)	21½" x 16" x 35½" (54.6 x 40.6 x 90.2 cm)	21½" x 16" x 35½" (54.6 x 40.6 x 90.2 cm)	21½" x 16" x 35½" (54.6 x 40.6 x 90.2 cm)
<b>Weight (lbs) *</b>	125 (57 kg)	125 (57 kg)	125 (57 kg)	125 (57 kg)	125 (57 kg)

\* Shipping Value


## Extension Cords (120V)


Use only an approved extension cord with three conductors, a plug with three terminals, and a connector body with three holes.

 **WARNING:** If you use an extension cord, use an extension cord with minimum wire size 12 AWG. Do not use an extension cord longer than 50 feet. Do not join two extension cords.

## Extension Cords (230V)

Use only an approved extension cord with two main conductors and one earthing conductor.

 **WARNING:** If you use an extension cord, use an extension cord with minimum wire size 1.50 mm<sup>2</sup>. Do not use an extension cord longer than 15 meters. Do not join two extension cords.

 **WARNING:** Do not cut, remove, or break the ground terminal. Do not try to fit a three-terminal plug into a receptacle or connector body that does not fit the plug. If the receptacle or connector body does not fit the plug, see your Authorized person to make the connection.

## Electrical Connection Instructions (120V)

### Instructions for connection to the power supply and the electrical ground.

This product must be grounded. If it should malfunction or breakdown, grounding provides a path of least resistance for electric current to reduce the risk of electrical shock. This product is equipped with a cord having an equipment-grounding conductor and grounding plug. The plug must be inserted into an appropriate outlet that is properly installed and grounded in accordance with all local codes and ordinances.

**WARNING:** Improper connection of the equipment-grounding conductor can result in a risk of electric shock. Check with qualified electrician or service person if you are in doubt as to whether the outlet is properly grounded. Do not modify the plug provided with the product – if it will not fit the outlet, have a proper outlet installed by a qualified electrician.

This product is for use on a nominal 120 volt circuit and has a grounding attachment plug that looks like the plug illustrated in figure 12. Make sure that the product is connected to an outlet having the same configuration as the plug. No adapter should be used with this product. Always connect the machine to a dedicated 20 amp electrical line to prevent nuisance breaker tripping and line overload due to other devices.

**WARNING:** To prevent possible electric shock, protect the machine from rain. Keep the machine in a dry building.

**WARNING:** To prevent possible electric shock, always use a 3-wire electrical system connected to the electrical ground. For maximum protection against electrical shock, use a circuit that is protected by a ground fault circuit interrupter. Consult your electrical contractor.

**WARNING:** Do not cut, remove or break the ground pin. If the outlet does not fit the plug, consult your electrical contractor.

**WARNING:** Have worn, cut or damaged cords replaced by an authorized service person.

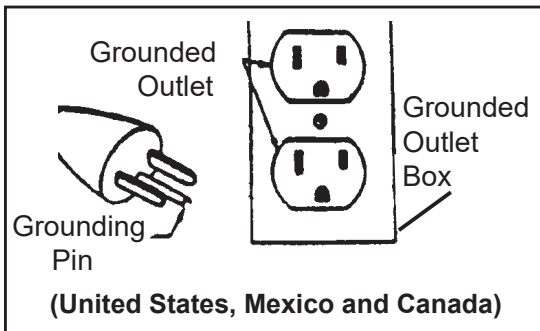
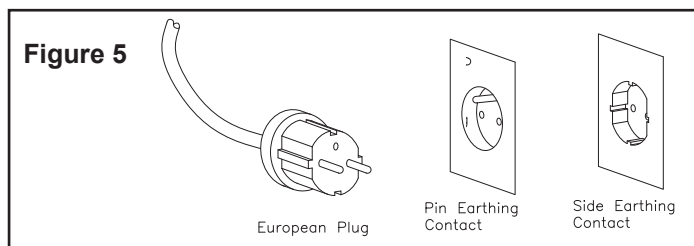


Figure 12

## Electrical Connection Instructions (230V)

**CAUTION:** This machine will operate only on the AC frequency and electrical voltage shown on the nameplate. Make sure you have the correct frequency and voltage before connecting the power cord to an outlet.

This machine must be connected to the electrical ground to protect the operator from electric shock. The machine has a power cord with two main conductors and one earthing conductor. Connect the plug to the type of receptacle shown in figure 5. The green and yellow conductor cord is the ground wire. Never connect this wire to any terminal other than the ground terminal.



**WARNING:** Always use this machine with an AC three-conductor electrical system connected to the electrical ground. Replace any worn, cut, or damaged cords. Replace any damaged plugs, receptacles, or connector bodies. Do not move the machine over an electrical cord. Always lift the cord over the machine.

## Machine Transportation

### Transporting the Machine With Limited Cargo Area:

To transport the machine, follow this procedure:

1. Lower sanding drum with control lever. See figure 1.
2. Slide collar beyond overlap of control link; remove pin from notch. See figure 2.
3. Twist and remove handle pigtail from motor cord. See figure 3.
4. Release handle latches and remove handle from chassis. See figure 2.
5. Remove dust pipe from chassis.
6. Lift chassis with transport handles and place in cargo area. See figure 4.



**WARNING:** Machine is heavy – 95 lbs (43 kg)  
To avoid injury or damage, grasp transport handles firmly; use proper lifting technique.

7. Secure chassis to prevent movement in cargo area. Place handle and dust pipe in cargo area.

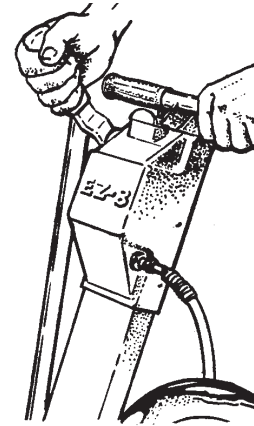


Figure 1

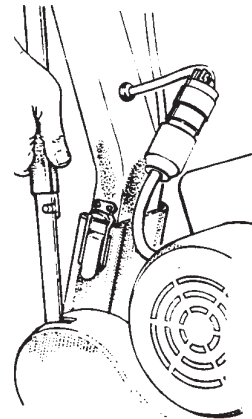


Figure 2

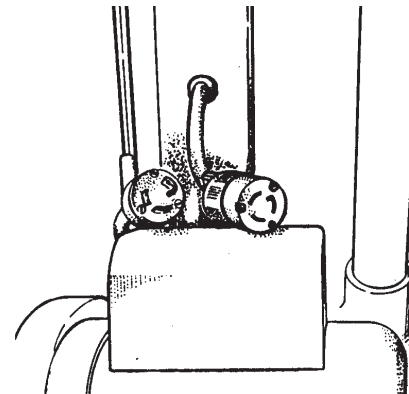


Figure 3

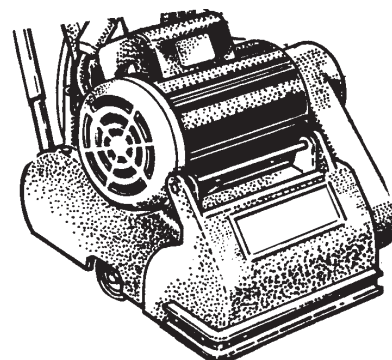


Figure 4



## Machine Set-up

To set up the machine follow this procedure:

1. Familiarize yourself with the machine. Read all danger, warning, and caution statements as well as the Operator's Manual. If operator is unable to read English, have the manual explained before operating.
2. Install handle and fasten latches. See figure 6.
3. Insert control link into notch and slide collar to pin. Raise sanding drum with control lever. See figure 5 & 6.
4. Install dust tube.
5. Connect the handle pigtail to the motor cord. Align ground pin, insert and twist. See figure 7.
6. To install abrasive on sanding drum equipped with paper clamp: loosen screws to paper clamp with a coin. Do not remove screws or clamp from the sanding drum. Insert one edge of abrasive under paper clamp. Rotate sanding drum to wrap abrasive around drum. Insert other edge of abrasive under paper clamp. Center abrasive and take up any slack in the abrasive. Tighten screws on paper clamp. Close drum cover. See figure 8.

To install abrasive on sanding drum equipped for Sleeve abrasive: slide abrasive over drum, center abrasive, and close drum cover.

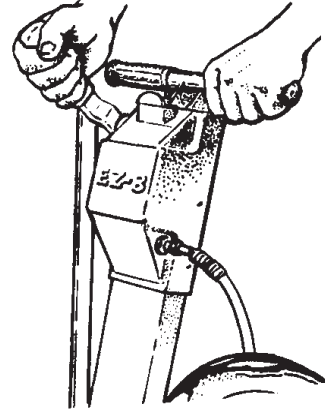


Figure 5

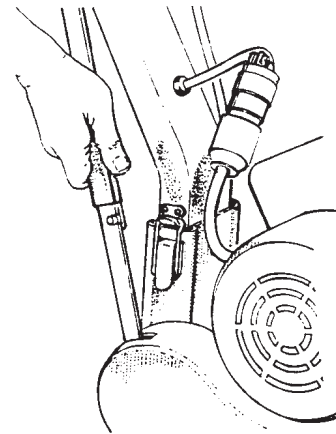


Figure 6

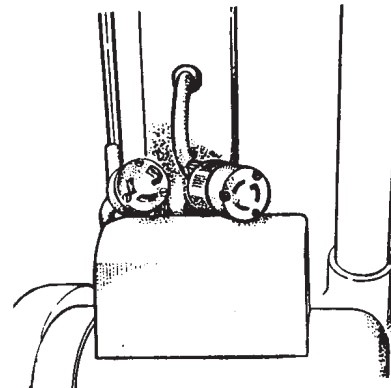


Figure 7

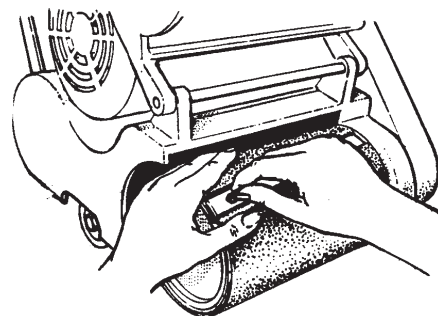


Figure 8

## Machine Setup

This sanding machine is designed to be operated with a remote vacuum dust collection system or with the included dust bag.

### Preparing Remote Vacuum Dust Collection Systems

To prepare the machine for remote vacuum dust collection systems that have a 2" (5 cm) hose end, follow this procedure:

1. Install 2" (5 cm) hose end (figure 9, A) directly over the exhaust tube (figure 9, B).
2. The exhaust tube can be rotated for optimum convenience.

To prepare the machine for remote vacuum dust collection systems that have a 1 1/2" (3.8 cm) hose end, follow this procedure:

1. Install the 2" (5 cm) x 1 1/2" (3.8 cm) hose end adapter (Part No. 30563A) (figure 9, C) over the exhaust tube (figure 9, B).
2. Insert 1 1/2" (3.8 cm) hose end (figure 9, D) into the adapter (figure 9, C).

**NOTE:** Start the remote vacuum collection system before operation.

### Preparing to use the included dust bag

To prepare the machine for use with the included dust bag (Part No. 53544B), follow this procedure:

1. Install the dust bag by pressing the end onto the exhaust tube until the ring locks into the groove (figure 10). This is best done by pressing on the back of the bag opening with the palm of your hand.
2. The exhaust tube can be rotated for optimum convenience.
3. To remove the dust bag from the exhaust tube, pry up the end of the bag opening to partially release the internal rib from the groove, then pull.
4. To empty the dust bag, unzip the disposal flap and force contents out by inverting the bag.

**NOTE:** For best results, empty frequently. Follow all warnings posted in this manual and on the dust bag.

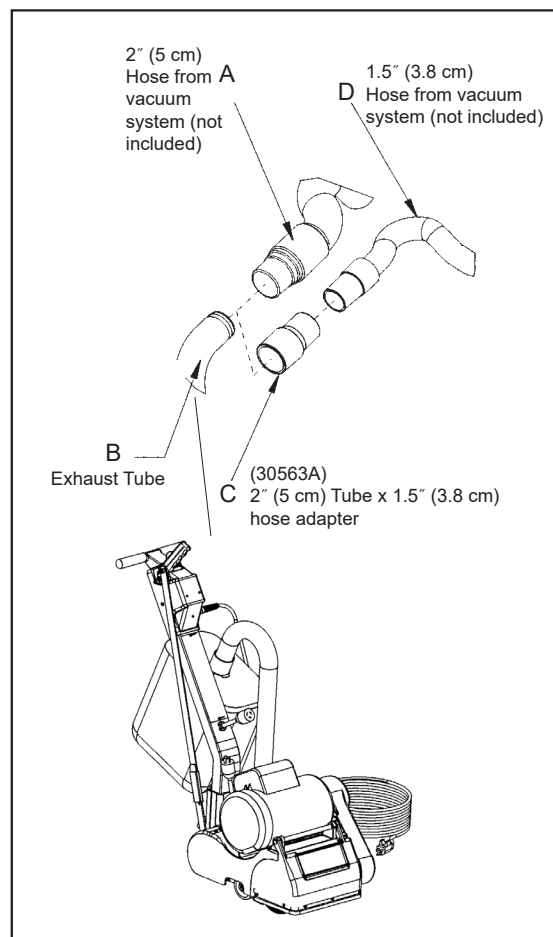


Figure 9

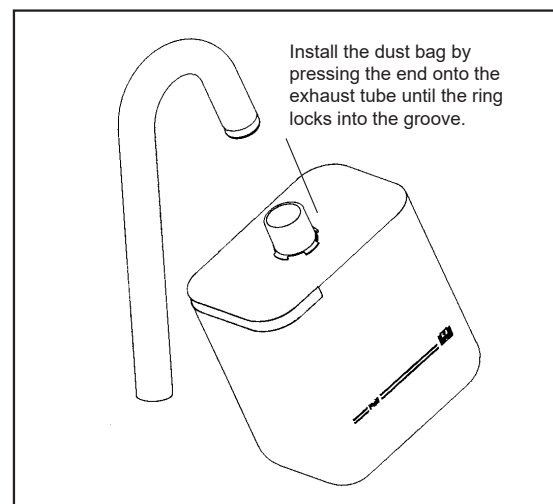


Figure 10

## Operating Instructions

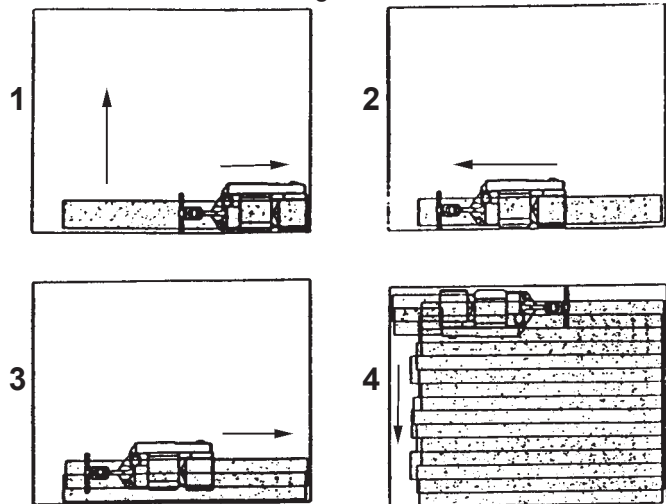
To operate the machine, follow this procedure:

1. Set any exposed nails with a hammer and punch to avoid encounter with sanding drum. Connect the machine to an appropriate grounded and fused circuit (power supply). Press the selector switch to the start (S) position. Once started, allow switch to return to run (R) position.

**CAUTION:** To prevent damage to the surface, make sure the machine is always moving when the sanding drum is in contact with the floor.

2. Work right to left. For each forward pass, move the machine 4" over the pass you have just finished. Retrace your reverse path without overlapping. See figure 11.
3. Feather-cut in by easing the sanding drum down onto the surface with the control lever while the sander is in motion.
4. When sanding drum is fully engaged with the surface, release control lever and adjust your pace for adequate stock removal. Keep sander in motion while the sanding drum is engaged with the surface or dwell marks will occur.
5. Move the machine in the direction of the grain in the wood whenever possible. Sand the surface at a constant pace.
6. Gradually feather-cut out at the termination point (the end of your pass) by easing the sanding drum up with the control lever. Stagger the termination points for a better blend when edging. See figure 11.
7. When replacing abrasive, emptying contents of dust bag, or when sanding operation is completed, press selector switch to off (O) position. Disconnect the machine from the power supply.
8. Empty dust bag whenever it is 1/3 full. Never leave a dust bag unattended with sanding dust in it. Sanding dust can spontaneously ignite and cause a fire or explosion. Empty dust into a metal container clear of any combustible material.

Figure 11



## Sanding Cuts and Sandpaper

### Initial Cut

The purpose of the initial cut is to remove old finish and gross imperfections on the floor surface. A coarse abrasive should be used. If the surface is severely damaged by deep scratches, pre-existing dwell marks, uneven planks, etc., it may be necessary to sand across or diagonally to the grain to restore evenness to the surface. If these conditions are not present, the initial cut should be done in the direction of the grain.

If glazing, loading, or burning takes place immediately into an initial cut, select a coarser abrasive. If this should occur during an initial cut, the abrasive has dulled and must be replaced.

### Final Cuts

The purpose of a finishing cut is to remove the scratches produced during the initial cut. Use a fine (60 - 80 grit) grain abrasive.

If the surface remains rough after a finishing cut, it may be necessary to use an even finer grain of abrasive (80 - 100 grit). Care should be taken in selecting the grit size of the abrasive. A very fine grain will close the pores on a wood floor making admission of a stain difficult.

If glazing or burning should occur immediately into a finishing cut, increase pace. If it should occur during a finishing cut, the abrasive has dulled and must be replaced.

## Adjustment Procedures

### Leveling

To adjust the machine leveling follow this procedure:

1. Locate the leveling screw. See figure 12.
2. Tighten the screw (compress the leveling spring) to sand heavier on drive belt side of sanding drum.
3. Loosen the leveling screw (relax the leveling spring) to sand heavier on the side opposite the drive belts.

**Condition** - Pad creates ridges on both edges or a “hop” is experienced: Rotate both adjusting screws equal amounts clockwise. Tighten locknuts and test on a piece of plywood. Repeat procedure until condition is corrected. We recommend you not exceed 1/8 rotation for each attempt.

**Condition** - Pad creates a ridge on the tip of the pad: Rotate both adjusting screws counter clockwise, tighten locknuts and test. Repeat procedure until condition is corrected. Use only 1/8 rotation for each attempt.

**Condition** - Pad creates a ridge on only one side of the pad: Either rotate the adjusting screw of the side effected clockwise or rotate the adjusting screw opposite counterclockwise, depending on whether the ridge terminates beyond the tip of the pad or prior to it. If it is prior to the tip, adjust the side effected, otherwise adjust the opposite side.

### Dust Shoe

To adjust the dust shoe follow this procedure:

1. Disconnect machine from power supply.
2. Loosen the four screws fastening the dust shoe to the chassis.
3. Adjust the dust shoe towards the drum to improve recovery of fine particles.
4. Adjust the dust shoe away from the drum to improve recovery of coarse particles.
5. Align the dust shoe with the drum and tighten screws. See figure 12b.

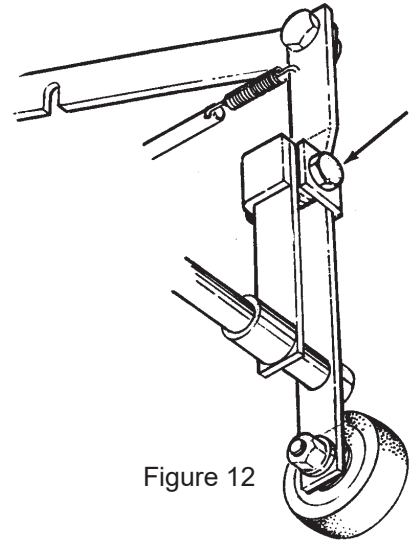


Figure 12

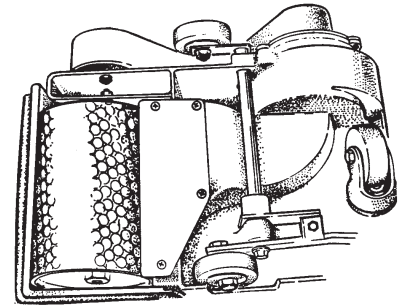


Figure 12b

## Routine Maintenance



**CAUTION:** Failure to perform maintenance at recommended intervals may void warranty.

### Sanding Chamber

Periodically blow out the sanding chamber to prevent large accumulations of debris which could interfere with the performance of the dust recovery system.

### Wheels

Periodically remove the debris from the truck and caster wheels. Debris can cause waves on a sanded surface.

### Dust Bag

Remove the dust bag from the machine and shake it thoroughly to remove the sanding dust from the dust bag. Turn the dust bag inside out and machine wash in cold water to prevent pore blockage and loss of dust recovery.

### Drive Belt

Periodically check the drive belts for broken cogs or frayed edges. Frayed edges may indicate poor tracking. Realign affected belt.

### Bearings

Periodically check the bearings for wear or damage according to the following schedule.

Arbor shaft: Re-lubricate every 150 hrs. w/ 10 oz. of a NLGI grade 2, -30°F (-34.4°C) to 250°F (121.1°C), 58-75 SUS at 210°F (98.8°C), grease lubricant.

Motor shaft: After 1<sup>st</sup> 5000 hrs.

Fan shaft: After first 1500 hrs.



**CAUTION:** Maintenance and repairs performed by unauthorized personnel could result in damage or injury. Maintenance and repairs performed by unauthorized personnel will void your warranty. Failure to perform maintenance at recommended intervals may void warranty.

## Troubleshooting

Problem	Cause	Action
<b>Drive belts slip.</b> (Squeaking or squealing sound)	Insufficient tension.  Worn belts.	Tension drive belts  Replace belts.
<b>Squealing, growling or grinding noise coming from machine.</b>	Damaged and/or worn bearing.	Remove drive belts, rotate arbor motor, fan, shafts and idler pulley to locate dragging or rough bearing. Contact an authorized dealer.
<b>Dust pick-up is poor.</b>	Dust bag is over 1/3 full. Dust bag is dirty. Dust chute is obstructed.	Empty contents of bag. Shake debris from bag and wash. Remove fan cover and clear throat.
<b>Motor will not start.</b>	Defective motor starter. Defective start capacitor. Defective electronic start switch. Defective motor. No power.	Contact an authorized dealer. Contact an authorized dealer. Contact an authorized dealer. Contact an authorized dealer. Check power supply and connections.
<b>Motor runs sluggishly.</b>	Low voltage from excessive footage, undersized extension cord, or poor connection.  Defective run capacitor.  Defective motor.	Locate power source nearer to work site. Decrease sanding pressure.  Contact an authorized dealer.  Contact an authorized dealer.
<b>Motor starter trips/repeatedly trips.</b>	Excessive load. Defective electronic start switch. Defective motor starter. Low voltage from poor connection. Defective motor Defective capacitor.	Contact an authorized dealer. Contact an authorized dealer. Contact an authorized dealer. Contact an authorized dealer. Contact an authorized dealer. Contact an authorized dealer.
<b>Uneven cut.</b>	Leveling out of adjustment.	Readjust leveling.
<b>Burning or glazing.</b>	Dull abrasive. Excessive sanding pressure. Too fine of an abrasive.	Replace abrasive. Decrease sanding pressure setting. Use coarser abrasive.
<b>Slow cutting.</b>	Dull abrasive. Too fine of an abrasive. Insufficient sanding pressure.	Replace abrasive. Use a coarser abrasive. Increase sanding pressure setting.
<b>Waves on sanded surface.</b>	Debris on wheel. Flat spot on tire(s).	Remove and clean wheels. Replace tires.
<b>Chatter marks on sanded</b>	Drum out of round. surface (close evenly spaced ) Drum vibration. from surface or ends of drum.	Contact an authorized dealer. or replace the drum. Change shim combination. Remove debris

## LEA ESTE MANUAL

Este manual contiene información importante acerca del uso y la seguridad de la máquina. Si no lee el manual antes de utilizar su máquina American Sanders o de intentar realizar los procedimientos de reparación o mantenimiento de la misma, usted o el resto del personal podrían sufrir lesiones; asimismo, podrían producirse daños a la máquina o a otras propiedades. Antes de utilizar la máquina, es necesario recibir la capacitación adecuada en la operación de la misma. Si el operador de la máquina no sabe leer en español, explíquelo el manual exhaustivamente antes de que intente utilizarla.

Todas las indicaciones incluidas en este manual se ofrecen desde la posición del operador en la parte posterior de la máquina.

### Contents

Instrucciones de seguridad para el operador.....	15-16
Introducción.....	17
Instrucciones de conexión eléctrica .....	18
Cómo transportar la máquina .....	19
Instalación de la máquina.....	20-21
Operación de la máquina.....	22
Procedimientos de ajuste de la lijadora.....	23
Mantenimiento de rutina.....	23
Resolución de problemas.....	24



### **ADVERTENCIA!**

Los Productos a la venta en este Manual contienen, o pueden contener, productos químicos reconocidos por algunos gobiernos (como el Estado de California, según lo indica en su Proposición 65, Ley de Advertencia Regulatoria) como causantes de cáncer, defectos de nacimiento u otros daños reproductivos. En algunas jurisdicciones (incluido el Estado de California), los compradores de estos Productos que los coloquen en servicio en un emplazamiento laboral o en un espacio de acceso público tienen la obligación regulatoria de realizar determinados avisos, advertencias o divulgaciones respecto de los productos químicos contenidos o posiblemente contenidos en los Productos utilizados en tal lugar. Es la responsabilidad del comprador conocer y cumplir con todas las leyes y reglamentaciones relacionadas con el uso de estos Productos en tales entornos. El Fabricante niega toda responsabilidad de informar a los compradores sobre requisitos específicos que pueden regir el uso de los Productos en tales entornos.

## Instrucciones De Seguridad Para El Operador

**PELIGRO** significa:



Usted u otras personas pueden estar expuestos a sufrir lesiones personales, inclusive la muerte si las indicaciones de **PELIGRO** que se encuentran en esta máquina o en el manual de instrucciones se ignoran o no se tienen en cuenta. Lea y respete todas las indicaciones de **PELIGRO** que se encuentran en el manual de instrucciones y en la máquina.

**ADVERTENCIA** significa:



Usted u otras personas pueden estar expuestos a sufrir lesiones personales, si las indicaciones de **ADVERTENCIA** que se encuentran en esta máquina o en el manual de instrucciones se ignoran o no se tienen en cuenta. Lea y respete todas las indicaciones de **ADVERTENCIA** que se encuentran en el manual de instrucciones y en su máquina.

**PRECAUCIÓN** significa:



La máquina u otros bienes pueden sufrir daños materiales si las indicaciones de **PRECAUCIÓN** que se encuentran en la máquina o en el manual de instrucciones se ignoran o no se tienen en cuenta. Lea y respete todas las indicaciones de **PRECAUCIÓN** que se encuentran en el manual de instrucciones y en la máquina.



**PELIGRO:**

En caso de que no se lea el manual de instrucciones antes de operar este equipo de lijado o realizar el mantenimiento del mismo podría resultar en que el operador u otras personas en el área sufriesen lesiones personales y el equipo podría sufrir daños materiales. Lea y respete todas las indicaciones de seguridad que se encuentran en este manual y en el equipo de lijado. Asegúrese que todas las etiquetas, calcomanías, advertencias, precauciones e instrucciones estén adheridas a la máquina. Reemplace cualquier indicación que esté dañada o falte. Antes de utilizar el equipo, es necesario recibir la capacitación adecuada en la operación del mismo. **Si el operador no puede leer este manual, explíqueselo exhaustivamente antes que intente utilizar este equipo.**



**PELIGRO:**

El lijado/acabado de pisos de madera puede crear un entorno que puede ser explosivo. Se deberán tener en cuenta los siguientes procedimientos de seguridad:

- Los encendedores, las lámparas indicadoras y cualquier otra fuente de ignición pueden provocar una explosión si se activan durante una sesión de lijado. Si es posible, apague o retire por completo todas las fuentes de ignición del área de trabajo.
- Las áreas de trabajo que estén muy poco ventiladas pueden crear un entorno explosivo cuando se encuentran determinados materiales combustibles en la atmósfera: por ejemplo, solventes, diluyentes, alcoholes, combustibles, ciertos acabados, polvo de madera y otros materiales combustibles. El equipo de lijado de pisos puede provocar la combustión de los materiales y vapores inflamables. Lea la etiqueta del fabricante sobre todas las sustancias químicas utilizadas para determinar su combustibilidad. Mantenga el área de trabajo bien ventilada.
- Pueden producirse una combustión espontánea o una explosión cuando se trabaja con polvo de lijado. El polvo de lijado puede auto-encenderse, provocando lesiones personales y daños materiales. Deshágase del polvo de lijado de una manera adecuada. Vacíe siempre el polvo de lijado dentro de un recipiente de metal que esté localizado fuera del edificio.
- Extraiga el contenido de la bolsa de polvo cuando la misma esté llena a 1/3. Extraiga el contenido de la bolsa de polvo cada vez que termine de usar el equipo. Nunca deje la bolsa sin vigilancia cuando haya polvo de lijado en la misma.
- No vacíe el contenido de la bolsa de polvo en el fuego.
- Golpear un clavo cuando se lija puede causar chispas y crear una explosión o un incendio. Utilice siempre un martillo y perfore para avellanar todos los clavos antes de lijar los pisos.

**PELIGRO:**

Piezas móviles. El contacto puede causar lesiones graves.



A. Desconecte la máquina de la fuente de alimentación antes de acceder al tambor de lijado, las correas de transmisión o la cámara del ventilador.

B. No la opere sin la cubierta del tambor, el protector de la correa y el conducto de polvo en su lugar.

C. Nunca deje la máquina conectada a la fuente de alimentación o con el motor en funcionamiento sin supervisión.

**PELIGRO:**

Las partes móviles de este equipo de lijado pueden causar lesiones al operador o a las personas que se encuentren en el área de trabajo.

- Mantenga las manos, los pies y la vestimenta suelta alejados de todas las partes móviles.
- No cambie ni ajuste el abrasivo mientras el equipo de lijado esté en funcionamiento.
- No realice ningún servicio de reparación o mantenimiento al equipo de lijado mientras esté en funcionamiento.

**PELIGRO:**

Este equipo de lijado requiere un suministro de electricidad. El uso inadecuado podría provocar una descarga eléctrica o un incendio.

- Conecte únicamente a un suministro eléctrico que coincida con lo que se muestra en la placa de identificación del equipo.
- No utilice este equipo de lijado sobre un circuito eléctrico sin conexión a tierra. Consulte con un electricista si sospecha que el circuito no está adecuadamente conectado a tierra.
- No utilice este equipo de lijado con un cable eléctrico dañado. Inspecciones antes de cada uso.
- Evite golpear el cable eléctrico con el abrasivo. Eleve siempre el cable eléctrico sobre el equipo de lijado.
- No utilice el cable eléctrico para mover el equipo.
- Desconecte el suministro eléctrico antes de realizar un servicio de reparación o mantenimiento al equipo.

**ADVERTENCIA:**

En el caso de que la bolsa se prenda fuego, el operador puede resultar lesionado si está atado o sujeto al equipo. Utilice el cinturón operativo adecuadamente (siga el procedimiento de la página 11).

**ADVERTENCIA:**

Si no se utilizan los dispositivos de protección personal correctos mientras se realiza el lijado, el operador o cualquier persona en el área de trabajo pueden sufrir lesiones. Utilice siempre protección respiratoria, ocular y auditiva mientras realice una operación de lijado.

**ADVERTENCIA:**

Pueden producirse lesiones personales si se aplica potencia al equipo con el interruptor de alimentación ya situado en la posición "ON" (Encendido). Asegúrese siempre de que el interruptor de alimentación esté en la posición "OFF" (Apagado) antes de conectar la fuente de alimentación.

**PRECAUCIÓN:**

El mantenimiento y las reparaciones realizados por personal no autorizado podrían producir daños materiales o lesiones personales. El mantenimiento y las reparaciones realizadas por personal no autorizado anularán su garantía. El mantenimiento y las reparaciones de esta unidad siempre deben ser realizados por un distribuidor autorizado de American Sanders.

**PRECAUCIÓN:**

Si utiliza este equipo para desplazar otros objetos o para subirse al mismo se pueden producir lesiones o daños. No utilice este equipo como escalera ni como mueble. No se suba al equipo.

**PRECAUCIÓN:**

Si el equipo no se guarda correctamente en un edificio sin humedad podría resultar dañado. Guarde el equipo en un lugar seco.

**PRECAUCIÓN:**

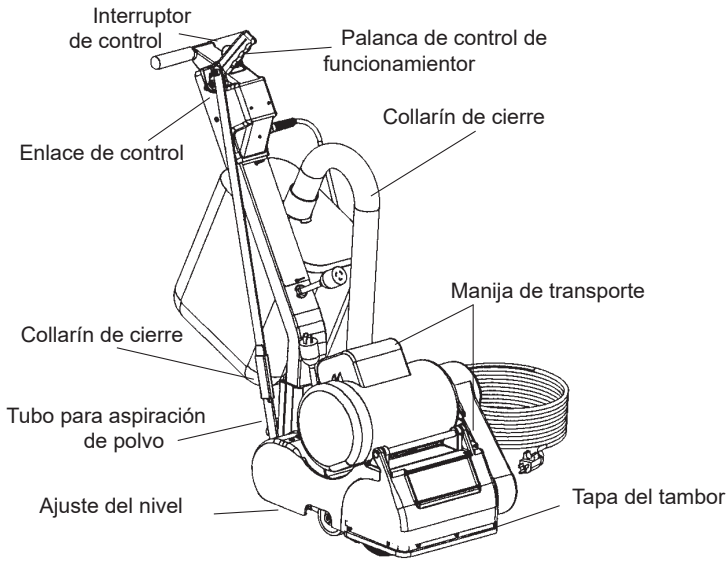
El equipo es pesado. Cuando transporte el equipo, extraiga el motor. Consiga ayuda para elevar el equipo y el motor.

**PRECAUCIÓN:**

Se puede causar un daño grave al piso si el equipo de lijado se deja funcionando en un lugar mientras el tambor de lijado está en contacto con el piso. Para evitar dañar el piso, comience a lijar a una velocidad de lijado normal. Cuando baje o eleve la rueda de contacto, hágalo en el menor tiempo posible. Lije siempre a una velocidad constante.



## Introducción



**PRECAUCIÓN:** Su equipo puede ser inapropiado en algunas instalaciones. Siempre consulte con el fabricante del piso sobre la correcta instalación, preparación, y acabado de su producto. Determine la idoneidad de su equipo para preparar el producto.

Modelo	07012A	07058A	07060A	07084A	07057A
Tamaño de abrasivo (cm)	20.3 x 48.2 la manga	20.3 x 48.2 la manga	20.3 x 48.2 la manga	20.3 x 48.2 la manga	20.3 x 48.2 1/2 la manga
Tasa de abrasivo	2830 pies/min	2830 pies/min	2360 pies/min	2360 pies/min	2830 pies/min
Tasa del tambor	1800 RPM	1800 RPM	1500 RPM	1500 RPM	1800 RPM
Tasa de control del polvo	76 CFM	76 CFM	64 CFM	64 CFM	76 CFM
Presión del tambor	11.4 kg	11.4 kg	11.4 kg	11.4 kg	11.4 kg
Controles de nivelación	Adjustables externamente	Adjustables externamente	Adjustables externamente	Adjustables externamente	Adjustables externamente
Controles operativos	Mango ajustable	Mango ajustable	Mango ajustable	Mango ajustable	Mango ajustable
Motor	1½ HPTEFC protegidos térmicamente	1½ HPTEFC protegidos térmicamente	1½ HPTEFC protegidos térmicamente	1½ HPTEFC protegidos térmicamente	1½ HPTEFC protegidos térmicamente
Cable de alimentación	40' 12 Gauge resistente a la abrasión	40' 12 Gauge resistente a la abrasión	50' 12 Gauge resistente a la abrasión	40' 12 Gauge resistente a la abrasión	40' 12 Gauge resistente a la abrasión
Tensión (V) / Frecuencia (Hz)	115 / 60	115 / 60	240 / 50	240 / 50	115 / 60
Corriente (A)	12	12	6	6	12
Dimensiones (cm)*	54.6 X 40.6 X 90.2	54.6 X 40.6 X 90.2	54.6 X 40.6 X 90.2	54.6 X 40.6 X 90.2	54.6 X 40.6 X 90.2
Weight (kg)*	57	57	57	57	57

\* Valor de envío

## Cables de extensión (120 V)

Utilice únicamente un cable de extensión autorizado con tres conductores, un enchufe con tres terminales y un cuerpo del conector con tres orificios.



**ADVERTENCIA:** Si va a utilizar un cable de extensión, use uno de un calibre mínimo de 12 AWG. No use un cable de extensión de más de 50 pies. No una dos cables de extensión.

## Cables de extensión (230 V)

Utilice únicamente un cable de extensión aprobado con dos conductores principales y uno de puesta a tierra.



**ADVERTENCIA:** Si va a utilizar un cable de extensión, use uno de un calibre mínimo de 1,50 mm<sup>2</sup>. No use un cable de extensión de más de 15 metros. No una dos cables de extensión.



**ADVERTENCIA:** No corte, quite o rompa el terminal de conexión a tierra. No intente conectar un enchufe de tres terminales en un receptáculo o cuerpo conector en el que no encaje. Si el enchufe no encaja en el receptáculo o cuerpo conector, consulte con una persona autorizada para realizar la conexión.

## Instrucciones para la la conexión eléctrica (120 V)

### Instrucciones para la conexión a la fuente de alimentación y a tierra.

Este producto se debe conectar a tierra. En caso de mal funcionamiento o averías, la conexión a tierra proporciona una vía de menor resistencia para la corriente eléctrica a fin de reducir el riesgo de choques eléctricos. Este producto está equipado con un cable que tiene un conductor que pone el equipo a tierra y un enchufe de conexión a tierra. El enchufe se debe insertar en un tomacorriente adecuado que esté instalado debidamente y puesto a tierra de conformidad con todos los códigos y las normas locales.

**⚠️ ADVERTENCIA :** La conexión incorrecta del conductor de puesta a tierra del equipo puede resultar en riesgos de choque eléctrico. Consulte con un electricista o un técnico de servicio calificados si tiene alguna duda con respecto a si el tomacorriente está puesto a tierra adecuadamente. No modifique el enchufe suministrado con la máquina. Si no encaja en el tomacorriente, contacte a un electricista calificado para que instale un tomacorriente adecuado.

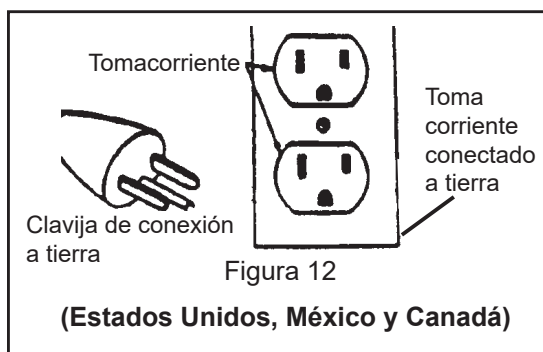
Este producto está diseñado para utilizarse en un circuito de potencia nominal de 120 voltios, y tiene un enchufe de conexión a tierra semejante al enchufe ilustrado en la Fig. 12. Asegúrese de que el producto esté conectado a un tomacorriente que tenga la misma configuración que el enchufe. No se deben utilizar adaptadores con este producto. Siempre conecte la máquina a una línea eléctrica dedicada de 20 amperios para evitar el accionamiento del disyuntor y la sobrecarga de la línea debido a otros dispositivos.

**⚠️ ADVERTENCIA :** Para evitar el riesgo de choques eléctricos, proteja la máquina de la lluvia. Guárdela en un lugar seco.

**⚠️ ADVERTENCIA :** Para evitar el riesgo de choques eléctricos, siempre use un sistema eléctrico de tres conductores con conexión a tierra. Para una protección óptima contra choques eléctricos, utilice un circuito protegido por un interruptor de falla a tierra. Consulte con su contratista electricista.

**⚠️ ADVERTENCIA :** No corte, quite o rompa la clavija de conexión a tierra. Si el enchufe no encaja en el tomacorriente, consulte con su contratista electricista.

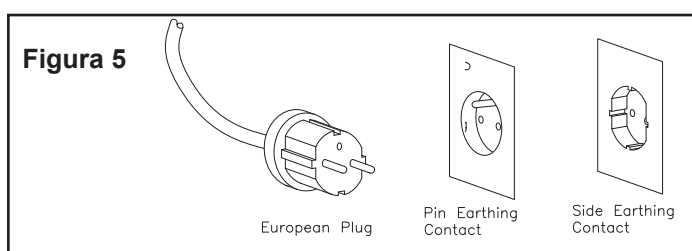
**⚠️ ADVERTENCIA :** Los cables desgastados, cortados o dañados los debe reemplazar un técnico de servicio autorizado.



## Instrucciones para la la conexión eléctrica (230V)

**⚠️ PRECAUCIÓN:** Esta máquina funciona únicamente con la frecuencia de CA y el voltaje que se indican en la placa de identificación. Asegúrese de que la frecuencia y el voltaje sean adecuados antes de conectar el cable de alimentación tomacorriente.

La máquina se debe conectar tierra para proteger al operador de choques eléctricos. La máquina tiene un cable de alimentación con dos conductores principales y uno de puesta a tierra. Conecte el enchufe en el tipo de receptáculo que se muestra en la figura 5. El cable conductor verde y amarillo es el cable de conexión a tierra. Nunca conecte este cable a otro terminal que no sea el de conexión a tierra.



**⚠️ ADVERTENCIA :** Siempre use esta máquina con un sistema eléctrico de CA de tres conductores conectado a tierra. Reemplace los cables que estén desgastados, cortados o dañados. Reemplace los enchufes, los receptáculos o los cuerpos conectores que estén dañados. No pase la máquina por encima del cable eléctrico. Siempre levante el cable por encima de la máquina.

## Cómo transportar la máquina

Para mover la máquina siga este procedimiento:

1. Baje el tambor de lijado con la palanca de control. Consulte la figura 1.
2. Deslice el collarín más allá del solapamiento del enlace de control; retire la clavija de la ranura. Consulte la figura 2.
3. Tuerza y retire del cable del motor el cable flexible de la manija. Consulte la figura 3.
4. Suelte los seguros de la manija y retire la manija del chasis. Consulte la figura 2.
5. Retire el tubo de aspiración de polvo del chasis.
6. Levante el chasis con las manijas de transporte y Colóquelo en el área de carga. Consulte la figura 4.



**ADVERTENCIA:** La máquina es pesada (43,2kg). Para evitar lesiones o daños sujete las manijas de transporte con firmeza; use técnicas adecuadas de elevación.

7. Asegure el chasis para evitar movimientos en el área de carga. Coloque la manija y el tubo de aspiración de polvo en el área de carga.

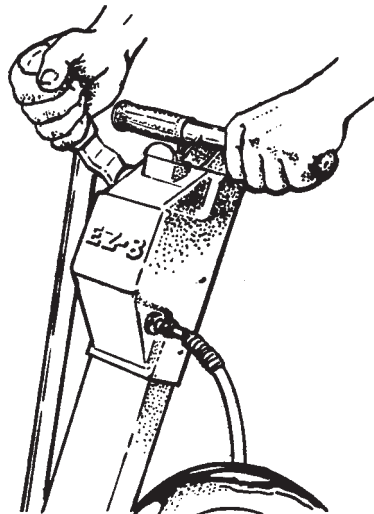


Figura 1

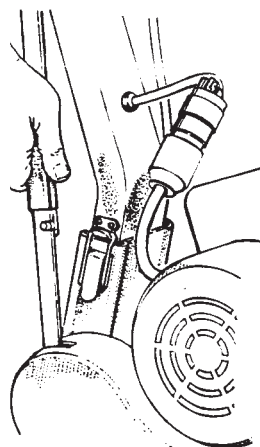


Figura 2

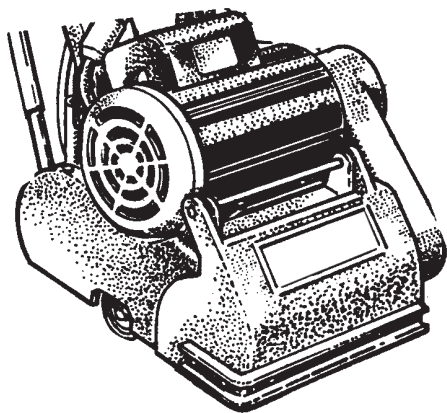


Figura 4

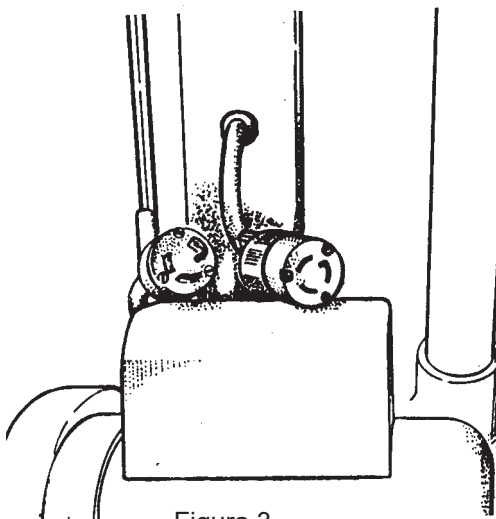


Figura 3

## Instalación de la máquina

Para instalar su máquina siga este procedimiento:

1. Familiarícese con la máquina y lea todas las indicaciones de peligro, advertencia y precaución. Asegúrese de que todos los operadores de la máquina hayan leído este manual de instrucciones. Si ellos no pueden leer este manual, explíqueles el mismo por completo antes de permitirles operar la lijadora.
2. Instale la manija y fije los seguros. Consulte la figura 6.
3. Inserte el enlace de control en la ranura y deslice el collarín hasta la clavija. Levante el tambor de lijado con la palanca de control. Consulte las figuras 5 & 6.
4. Instale el tubo de aspiración de polvo.
5. Conecte el cable flexible de la manija al cable del motor. Alinee la clavija de tierra, insértela y tuérzala. Consulte la figura 7.
6. Para instalar el abrasivo sobre el tambor de lijado equipado con abrazadera de papel: afloje los tornillos de la abrazadera de papel con una moneda. No retire los tornillos ni la abrazadera del tambor de lijado. Inserte un borde del abrasivo debajo de la abrazadera de papel. Rote el tambor de lijado para envolver el abrasivo alrededor del tambor. Inserte otro borde del abrasivo debajo de la abrazadera de papel. Centre el abrasivo y ajuste cualquier holgura del abrasivo. Ajuste los tornillos en la abrazadera de papel. Cierre la cubierta del tambor. Consulte la figura 8. Para instalar el abrasivo sobre el tambor de lijado equipado para el abrasivo de manguito: deslice el abrasivo sobre el tambor, centre el abrasivo, y cierre la cubierta del tambor.

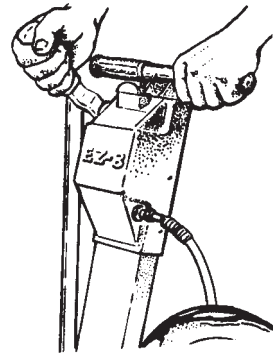


Figura 5

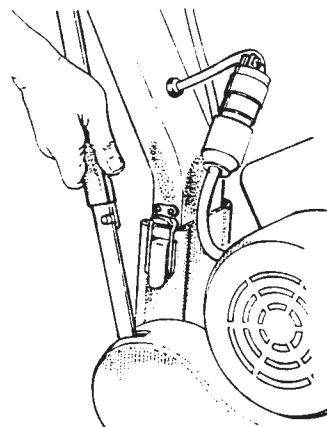


Figura 6

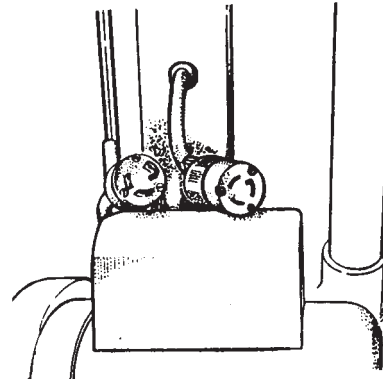


Figura 7

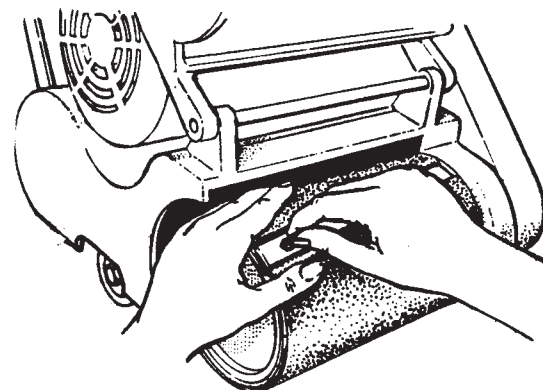


Figura 8

## Instalación de la máquina

Esta lijadora está diseñada para utilizarse con un sistema colector de polvo remoto mediante vacío o con la bolsa de polvo incluida.

### Preparación de los sistemas colectores de polvo remotos mediante vacío

Si desea preparar la máquina para sistemas colectores de polvo remotos mediante vacío que tengan un extremo de manguera de 2", siga este procedimiento:

1. Instale el extremo de manguera de 2" (figura 1, A) directamente sobre el tubo de escape (figura 1, B).
2. El tubo de escape puede girarse para mayor comodidad.

Si desea preparar la máquina para sistemas colectores de polvo remotos mediante vacío que tengan un extremo de manguera de 1 1/2", siga este procedimiento:

1. Instale el adaptador del extremo de manguera de 2" x 1 1/2" (Nº de pieza 30563A) (figura 1, C) sobre el tubo de escape (figura 1, B).
2. Inserte el extremo de manguera de 1 1/2" (figura 1, D) en el adaptador (figura 1, C).

**NOTA:** Ponga en marcha el sistema colector remoto mediante vacío antes de encender la máquina.

### Preparación para usar la bolsa de polvo incluida

Si desea preparar la máquina para su uso con la bolsa de polvo incluida (Nº de pieza 53544B), siga este procedimiento.

1. Instale la bolsa de recolección de polvo presionando el extremo del tubo de escape hasta que el anillo encaje dentro de la ranura (figura 2). El mejor modo de hacer esto es presionando la parte posterior de la abertura de la bolsa con la palma de su mano.
2. El tubo de escape puede girarse para mayor comodidad.
3. Para retirar la bolsa de polvo del tubo de escape, haga palanca hacia arriba en el extremo de la abertura de la bolsa para liberar parcialmente el saliente interno de la ranura, y después tire.
4. Para vaciar la bolsa de polvo, abra la aleta de vaciado y saque sus contenidos dando la vuelta a la bolsa.

**NOTA:** Para lograr los mejores resultados, vacíe frecuentemente. Siga todas las advertencias incluidas en el manual y en la bolsa de polvo.

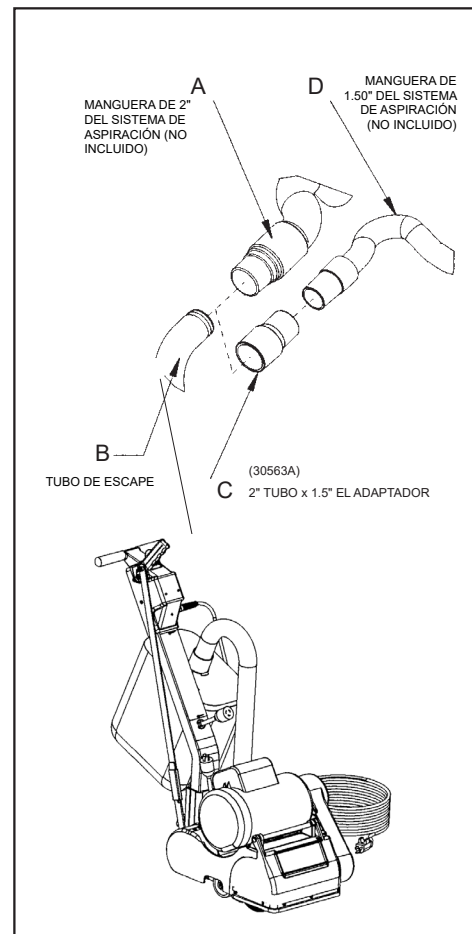


Figura 1

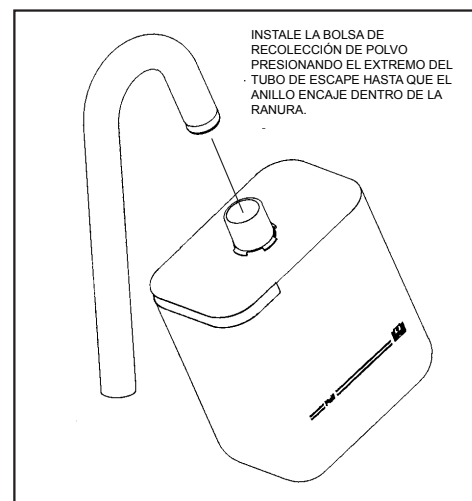


Figura 2

**Para operar la máquina siga este procedimiento:**

1. Fije cualquier clavo expuesto con un martillo y embutidor para evitar que se tope con el tambor de lijado. Conecte la máquina a un circuito apropiado con descarga a tierra y fusibles (fuente de alimentación). Presione el interruptor selector en la posición (S) (arranque). Después del arranque, deje que el interruptor vuelva a la posición (R)(funcionamiento).

**! PRECAUCIÓN:** Para evitar daño a la superficie, asegúrese de que la máquina siempre se esté moviendo cuando el tambor delijado esté en contacto con el piso.

2. Trabaje de derecha a izquierda. Por cada paso hacia delante, mueva la máquina 4" por encima del trayecto que acaba de completar. Retroceda marcha atrás sin solapamiento. Consulte la figura 11.
3. Comience el trabajo bajando el tambor de arenado hacia la superficie con la palanca de control mientras la lijadora está en movimiento.
4. Cuando el tambor de arenado esté totalmente engranado con la superficie, suelte la palanca de control y ajuste el ritmo para una adecuada remoción de material. Mantenga la lijadora en movimiento mientras el tambor de lijado se encuentra engranado con la superficie, ya que en caso contrario quedarán marcas.
5. Mueva la máquina en el sentido del veteado de la madera, siempre que sea posible. Lije la superficie a ritmo constante.
6. Interrumpa gradualmente en el punto de terminación (el extremo de la pasada) elevando el tambor de lijado con la palanca de control. Escalone los puntos de terminación para conseguir una mejor combinación en el momento de ribetear. Consulte la figura 11.
7. Al cambiar el abrasivo, vacíe el contenido de la bolsa de polvo, o al terminar la operación de lijado, presione el interruptor selección a la posición (O) (Apagado). Desconecte la máquina de la fuente de alimentación.
8. Vacíe la bolsa de polvo cada vez que esté llena hasta 1/3 de su capacidad. Nunca deje la bolsa sin vigilancia cuando haya polvo de lijado en la misma. El polvo de lijado puede encenderse y ocasionar un incendio o una explosión. Vacíe el polvo dentro de un recipiente de metal que no contenga ningún material combustible.

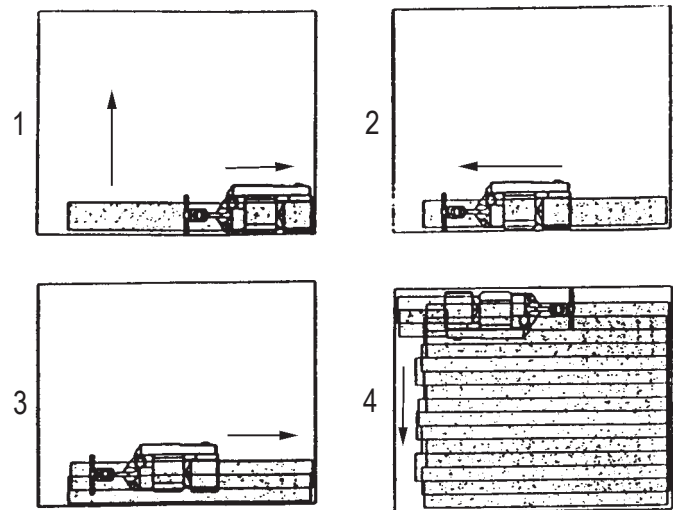


Figura 11

## Procedimientos de ajuste de la lijadora

### Nivelación

Para nivelar la máquina: tome el tornillo de ajuste de la roldana pivotante "A" con una herramienta adecuada (pinzas, etc.). Usando una herramienta similar, afloje la tuerca de seguridad "B" mediante un movimiento en dirección contraria a las agujas del reloj. (Figura 6).

**Condición** - La almohadilla crea salientes en los dos bordes o se experimenta un "salto": Rote los tornillos de ajuste en igual medida en sentido de las agujas del reloj. Apriete las tuercas de seguridad y pruebe sobre un trozo de madera contrachapada. Repita el procedimiento hasta que se corrija la condición. Recomendamos que no se exceda una rotación de 1/8" en cada intento.

**Condición** - La almohadilla crea un saliente en la punta de la almohadilla: Rote los dos tornillos de ajuste en sentido contrario a las agujas del reloj, ajuste las tuercas de seguridad y pruebe. Repita el procedimiento hasta que se corrija la condición. Use únicamente una rotación de 1/8 en cada intento.

**Condición** - La almohadilla crea un saliente sólo en un lado de la almohadilla: Rote el tornillo de ajuste del lado afectado en sentido de las agujas del reloj, o rote el tornillo de ajuste opuesto en dirección contraria a las agujas del reloj, dependiendo de si el saliente termina más allá de la punta de la almohadilla o antes de la misma. Si es antes de la punta, ajuste el lado afectado, y en caso contrario ajuste el lado opuesto.

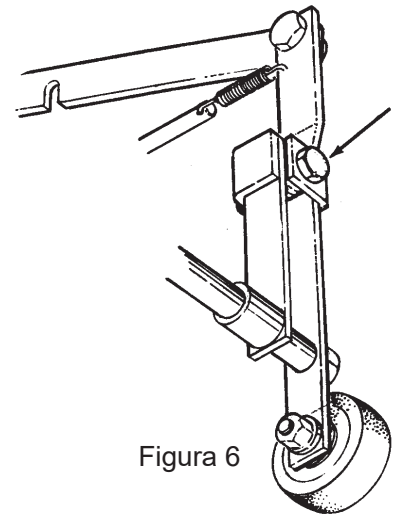


Figura 6

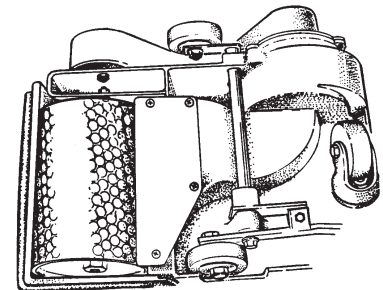


Figura 6b

### Zapata para el polvo

Para ajustar la zapata para el polvo siga este procedimiento:

1. Desconecte la máquina del suministro eléctrico.
2. Afloje los cuatro tornillos que sujetan la zapata para el polvo al chasis.
3. Ajuste la zapata para el polvo hacia el tambor para mejorar la recolección de partículas finas.
4. Ajuste la zapata para el polvo alejada del tambor para mejorar la recolección de partículas gruesas.
5. Alinee la zapata para el polvo con el tambor y ajuste los tornillos. Consulte la figura 6b.

## Mantenimiento de rutina

**CAUTION:** Los siguientes elementos deben inspeccionarse y realizárseles el mantenimiento de manera periódica para mantener su lijadora en buenas condiciones operativas.

### Cámara de lijado

Periódicamente sople la cámara de lijado para evitar grandes acumulaciones de residuos que podrían interferir con el rendimiento del sistema de recolección de polvo.

### Ruedas

Extraiga periódicamente los residuos de las ruedas del camión y las roldanas pivotantes. Los residuos pueden causar ondulaciones sobre la superficie lijada.

### Bolsa de polvo

Extraiga la bolsa de polvo de la máquina y sacúdala muy bien para extraer el polvo de lijado de la bolsa de polvo. Dé vuelta a la bolsa de polvo y lávela a máquina en agua fría para evitar que se bloqueen los poros y que pierda su capacidad de recolectar polvo.

### Correa de transmisión

Periódicamente controle las correas de transmisión para verificar la existencia de dientes o bordes deshilachados. La existencia de bordes deshilachados podría indicar una alineación defectuosa. Vuelva a alinear la correa.

### Cojinetes

Verifique periódicamente los rodillos guía y el rodillo de tensión en busca de desgaste. Eje de husillo

Vuelva a lubricar cada 150 horas con 10 oz. de grasa lubricante NLGI grado 2, - 30°F a 250°F, 58-75 SUS a 210° F.

Eje de motor después de las primeras 5000 horas.

Eje de ventilador después de las primeras 1500 horas.

## Resolución de problemas

Problema	Causa	Acción
Las correas de transmisión saltan engranajes o hacen chirrido.	Correa dañada. La tensión es insuficiente. Alineación defectuosa de la correa.	Cambie la correa.  Tensión de la correa. Alinee la polea.
Crujido, bramido o chirrido proveniente de la máquina.	El cojinete está dañado o desgastado	Extraiga las correas de transmisión, rote el husillo motor y los ejes del ventilador para ubicar el cojinete con arrastre o defectuoso. Póngase en contacto con un distribuidor autorizado de American Sanders.
La recolección de polvo es deficiente.	La bolsa de polvo está 1/3 llena. La bolsa de polvo está sucia. La zapata para el polvo está el polvo. El canal del polvo está obstruido.	Vacíe el contenido de la bolsa. Extraiga los residuos de la bolsa agitándola y lave. Vuelva a ajustar la zapata para mal ajustada. Remove dust shoe and clear throat.
El motor no arranco.	El arrancador del motor es defectuoso.  El capacitor de arranque es defectuoso.  El interruptor de arranque es defectuoso.  Conexiones defectuosas. Disparo de motor por sobrecarga.  El motor es defectuoso.  No hay potencia.	Póngase en contacto con un distribuidor autorizado. Póngase en contacto con un distribuidor autorizado. Póngase en contacto con un distribuidor autorizado. Verifique las conexiones. Desconecte la energía. Presione el botón de reinicio del motor Póngase en contacto con un distribuidor autorizado. Verifique la fuente eléctrica y las conexiones.
El motor funciona con lentitud.	Tensión baja debido a cable demasiado largo, alargador corto o conexión defectuosa. Defective run capacitor.  El motor es defectuoso.	Localice la fuente eléctrica más cercana al lugar de trabajo. Verifique las conexiones  Póngase en contacto con un distribuidor autorizado.  Póngase en contacto con un distribuidor autorizado.
El disyuntor del motor se repite veces.	Tensión baja debido a cable demasiado largo, alargador corto o conexión defectuosa  Cara excesiva.  El interruptor de arranque es defectuoso El arrancador del motor es defectuoso.  El motor es defectuoso.  El capacitor es defectuoso.	Desconecte la energía, deje enfriar el motor. Presione el botón de reinicio del motor. Localice la fuente eléctrica más cercana al lugar de trabajo. Verifique las conexiones. Póngase en contacto con un distribuidor autorizado de American Sanders.  Póngase en contacto con un distribuidor autorizado. Póngase en contacto con un distribuidor autorizado. Póngase en contacto con un distribuidor autorizado. Póngase en contacto con un distribuidor autorizado. Póngase en contacto con un distribuidor autorizado.
Cortes irregulares	La nivelación está mal ajustada.	Reajuste la nivelación.
Quemado o glaseado.	El abrasivo está desgastado. La correa abrasiva es demasiado fina.	Cambie el abrasivo. Utilice un abrasivo más grueso.
Ondas sobre la superficie lijada.	Presencia de residuos en las ruedas. Neumáticos desinflados.	Retire y limpie las ruedas. Cambie los neumáticos.



## LISEZ CE MANUEL

Ce Manuel contient des informations importantes concernant l'utilisation et le fonctionnement de cette machine dans des conditions de sécurité optimales. La non-lecture de ce manuel avant d'utiliser ou d'entretenir votre machine American Sanders risque de provoquer un accident ou d'endommager la machine ou son environnement. Vous devez avoir été formé à l'utilisation de cette machine avant de l'utiliser. Si l'opérateur n'est pas en mesure de lire ce Manuel, il devra se le faire expliquer entièrement avant de tenter d'utiliser cette machine.

Toutes les directions données dans ce Manuel le sont par rapport à la position de l'opérateur, à l'arrière de la machine.

### Contents

Consignes De Securite Destinees A L'operateur.....	26-27
Introduction et caractéristiques de l'appareil.....	28
Consignes De Sécurité.....	29
Transport de l'appareil.....	30
Préparation de l'appareil.....	31-32
Utilisation de l'appareil.....	33
Réglage de la ponceuse.....	34
Entretien.....	34
Dépannage.....	35



### **AVERTISSEMENT !**

Les Produits vendus avec le présent manuel contiennent ou peuvent contenir des produits chimiques reconnus par certains gouvernements (comme l'État de Californie, par le biais de la proposition de loi d'avertissement réglementaire 65) comme provoquant des cancers, des anomalies congénitales et autres dangers pour la reproduction. Dans certains endroits (comme l'État de Californie), les acheteurs de ces Produits, qui les utilisent sur un lieu de travail ou dans un espace public, ont l'obligation d'apposer certains avis, avertissements ou informations concernant les produits chimiques qui sont ou peuvent être contenus dans les Produits dans ces lieux ou aux alentours de ces lieux de travail. Il incombe à l'acheteur de connaître les dispositions de, et de respecter, toutes les lois et réglementations ayant trait à l'utilisation de ces Produits au sein de tels environnements. Le Fabricant rejette toute responsabilité d'informer les acheteurs concernant des exigences spécifiques qui peuvent s'appliquer à l'utilisation des Produits dans de tels environnements.

**\*\*\*Ce produit est destiné pour une utilisation commerciale.\*\*\***

## Consignes De Securite Destinees A L'operateur

### DANGER signifie:



De graves blessures corporelles, voire la mort, peuvent survenir si les déclarations DANGER apposées sur l'appareil ou inscrites dans le Manuel de l'utilisateur sont ignorées ou ne sont pas suivies. Lisez et respectez toutes les consignes DANGER se trouvant dans le Manuel de l'utilisateur et sur l'appareil.

### AVERTISSEMENT signifie:



Des blessures corporelles peuvent survenir si les MISES EN GARDES apposées sur l'appareil ou inscrites dans le Manuel de l'utilisateur sont ignorées ou ne sont pas suivies. Lisez et respectez toutes les AVERTISSEMENTS inscrits dans le Manuel de l'utilisateur et apposés sur l'appareil.

### MISE EN GARDE signifie:



Il y a risque de dommages à l'appareil ou à la propriété si les MISES EN GARDES apposées sur l'appareil ou inscrites dans le Manuel de l'utilisateur sont ignorées ou ne sont pas suivies. Lisez et respectez toutes les MISES EN GARDE se trouvant dans le Manuel de l'utilisateur et apposées sur l'appareil.



### DANGER:



À défaut de lire le Manuel de l'utilisateur avant l'utilisation ou l'entretien de cet appareil de ponçage peut provoquer des blessures corporelles à l'opérateur ou toute autre personne et endommager l'appareil. Lisez et respectez toutes les consignes de sécurité décrites dans ce Manuel et apposées sur l'appareil de ponçage. Assurez-vous que tous les autocollants, décalcomanies, avertissements, mises en garde et directives sont apposés sur l'appareil. Remplacez tous ceux endommagés ou manquants. Vous devez avoir été formé à l'utilisation de cette appareil avant de l'utiliser. Si l'opérateur est incapable de lire ce manuel, le faire expliquer dans son intégralité avant qu'il essaie d'utiliser cet appareil.



### DANGER:



- Les briquets, les flammes pilote et toute autre source d'inflammation peuvent provoquer une explosion si actionnés au cours d'un ponçage. Toutes sources d'inflammation devraient être éteintes ou retirées entièrement, si possible, de la zone de travail.
- Les zones de travail peu aérées peuvent se transformer en un environnement déflagrant lorsque certains matériaux combustibles sont présents dans l'atmosphère notamment les solvants, diluants, alcool, combustibles, certains finis, poussières de bois et autres matériaux combustibles. Les appareils de ponçage de plancher peuvent inflammer le matériel et les vapeurs. Bien lire l'étiquette du fabricant sur tous les produits chimiques pour évaluer la combustibilité. Veillez à ce que la zone de travail soit bien aérée.
- La combustion spontanée ou une explosion est possible lors de travaux avec poussière de ponçage. La poussière de ponçage peut s'inflammer elle-même et provoquer des blessures ou des dommages. Veillez éliminer adéquatement la poussière de ponçage. Videz toujours la poussière de ponçage dans un contenant en métal situé à l'extérieur de tout(tous) édifice(s).
- Videz le sac de dépolluierage lorsqu'il est plein au tiers de sa capacité. Videz le contenu du sac de dépolluierage à chaque fois que vous avez terminé avec l'appareil. Ne laissez jamais un sac de dépolluierage sans surveillance avec de la poussière de bois.
- Ne jetez pas le contenu du sac de dépolluierage dans un feu.
- En cours de ponçage, il est possible de provoquer une étincelle en heurtant un clou et ainsi, provoquer une explosion ou un incendie. Utilisez toujours un marteau et un poinçon pour fraisurer tous clous avant de sabler/poncer un plancher.

**DANGER:**

Pièces mobiles. Le contact peut provoquer des blessures graves.



A. Débrancher la machine de la source d'alimentation avant d'accéder au tambour de ponçage, aux courroies d'entraînement ou à la chambre du ventilateur.

B. Ne pas utiliser tant que le couvercle du tambour, la protection de la courroie et le tuyau de la poussière ne sont pas en place.

C. Ne pas laisser la machine sans surveillance lorsque le moteur est en marche ou connecté à une source d'alimentation.

**DANGER:**

les pièces mobiles de cet appareil de ponçage peut blesser l'opérateur ou une personne à proximité.



- Tenez les mains, pieds et vêtements amples loin de toutes pièces mobiles.
- Ne changez pas ou n'ajustez pas le papier abrasif alors que l'appareil de ponçage est en fonctionnement.
- N'effectuez pas l'entretien de l'appareil de ponçage en cours de fonctionnement.

**DANGER:**

Cet appareil de ponçage exige une source d'alimentation électrique. Une utilisation inadéquate pourrait provoquer un choc électrique ou une électrocution ou un incendie.



- Branchez l'appareil uniquement à une source d'alimentation qui correspond aux indications de la plaque signalétique.
- Utilisez cet appareil de ponçage uniquement sur un circuit électrique mis à la terre. Consultez un électricien si vous croyez que le circuit n'est pas correctement mis à la terre.
- N'utilisez pas cet appareil de ponçage avec un cordon d'alimentation endommagé. Inspectez l'appareil avant chaque usage.
- Ne heurtez pas le cordon d'alimentation avec le papier abrasif. Soulevez toujours le cordon d'alimentation au-dessus de l'appareil de ponçage.
- N'utilisez pas le cordon d'alimentation pour déplacer l'appareil de ponçage.
- Débranchez de la source d'alimentation avant d'effectuer une réparation ou un entretien sur cet appareil.

**AVERTISSEMENT:**

Dans le cas d'un sac de dépeussierage en feu, l'opérateur peut se blesser s'il est attaché ou relié à l'appareil avec une sangle. Utilisez correctement la ceinture de travail (suivez la procédure à la page 11).

**AVERTISSEMENT:**

L'opérateur, ou toute personne à proximité, doit porter une tenue de protection en cours de ponçage pour prévenir les blessures. Utilisez toujours une protection oculaire et auditive ainsi qu'un appareil respiratoire lors de tout ponçage/sablage.

**AVERTISSEMENT:**

Il y a risque potentiel de blessures corporelles si l'appareil est mis sous tension avec l'interrupteur déjà en position de marche (ON). Assurez-vous toujours que l'interrupteur soit en position d'arrêt (OFF) avant de mettre l'appareil sous tension.

**MISE EN GARDE :**

Les opérations de maintenance et les réparations effectuées par des techniciens non agréés risquent d'entraîner des dommages ou des blessures corporelles. Les opérations de maintenance et les réparations effectuées par des techniciens non agréés annuleront votre garantie. Dirigez-vous toujours à un distributeur agréé American Sanders pour toutes réparations de cet appareil.

**MISE EN GARDE:**

L'utilisation de cet appareil pour déplacer ou monter sur des objets peut provoquer un accident ou entraîner des dégâts matériels. Ne pas utiliser cet appareil comme marchepied ou comme meuble. Ne montez pas sur cet appareil.

**MISE EN GARDE:**

Il y a risque d'endommager l'appareil si celui-ci n'est pas entreposé dans un bâtiment à l'abri de l'humidité. Rangez l'appareil dans un établissement à l'abri de l'humidité.

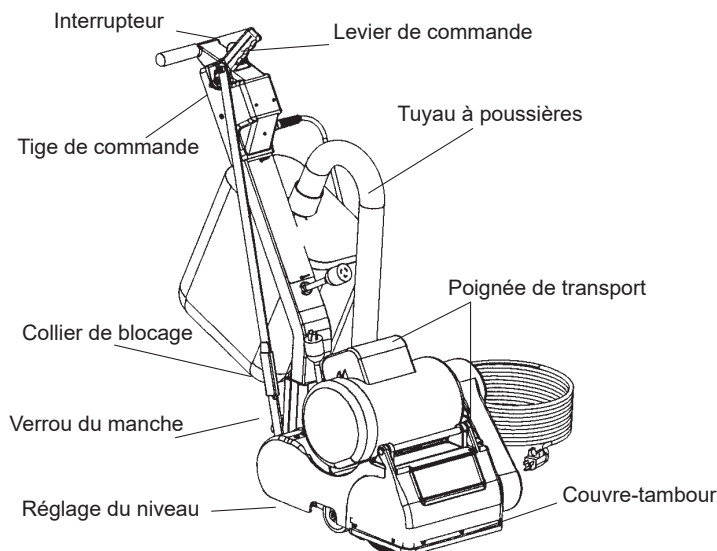
**MISE EN GARDE :**

Cet appareil est lourd. Pour le transport de l'appareil, déposez le moteur. Demandez de l'aide pour soulever l'appareil et le moteur.

**MISE EN GARDE :**

Il y a risque de dommages graves au plancher si l'appareil de ponçage fonctionne en continu au même endroit avec le tambour de ponçage directement sur le plancher. Pour empêcher tout dommage au plancher, poncez légèrement à un régime de ponçage normal. Ne vous arrêtez pas lors de la levée ou de l'abaissement du tambour. Poncez ou sablez toujours à un régime constant.

## Introduction



**ATTENTION!** Il est possible que votre équipement ne soit pas adapté à certaines installations. Il faut toujours consulter le fabricant du parquet pour connaître les caractéristiques d'installation, de préparation et de finition de leur produit. Vérifiez la convenance de votre équipement lorsque vous préparez le produit.

Modèle	07012A	07058A	07060A	07084A	07057A
Dimension de abrasif (cm)	20.3 x 48.2 cm	20.3 x 48.2 cm	20.3 x 48.2 cm	20.3 x 48.2 cm	20.3 x 48.2 1/2 cm
	2830 pi/min	2830 pi/min	2360 pi/min	2360 pi/min	2830 pi/min
	1800 RPM	1800 RPM	1500 RPM	1500 RPM	1800 RPM
Débit de contrôle des poussières	76 CFM	76 CFM	64 CFM	64 CFM	76 CFM
Pression du tambour	11.4 kg	11.4 kg	11.4 kg	11.4 kg	11.4 kg
Commandes de nivellement	Réglage externe	Réglage externe	Réglage externe	Réglage externe	Réglage externe
Système de commande	Avec levier de commande	Avec levier de commande	Avec levier de commande	Avec levier de commande	Avec levier de commande
Moteur	1.5 HP TEFC ; protection thermique	1.5 HP TEFC ; protection thermique	1.5 HP TEFC ; protection thermique	1.5 HP TEFC ; protection thermique	1.5 HP TEFC ; protection thermique
Câble d'alimentation	40 pi, 12 gauge; résistant à l'abrasion	40 pi, 12 gauge; résistant à l'abrasion	50 pi, 12 gauge; résistant à l'abrasion	40 pi, 12 gauge; résistant à l'abrasion	40 pi, 12 gauge; résistant à l'abrasion
	115 / 60	115 / 60	240 / 50	240 / 50	115 / 60
Courant (A)	12	12	6	6	12
Dimensions (cm)*	54.6 X 40.6 X 90.2	54.6 X 40.6 X 90.2	54.6 X 40.6 X 90.2	54.6 X 40.6 X 90.2	54.6 X 40.6 X 90.2
Poids* (kg)*	57kg	57kg	57kg	57kg	57kg

\* Valeur à l'expédition

## Rallonges (120 V)

Utilisez uniquement une rallonge approuvée avec trois fils, une fiche avec trois bornes et un corps de connecteur avec trois trous.

**AVERTISSEMENT :** Si vous utilisez une rallonge électrique, utilisez une rallonge électrique de calibre 12 AWG minimum. N'utilisez pas une rallonge plus longue que 50 pieds. Ne reliez pas deux rallonges.

## Rallonges (230 V)

Utilisez uniquement une rallonge avec deux conducteurs principaux et un conducteur de terre.

**AVERTISSEMENT :** Si vous utilisez une rallonge électrique, utilisez une rallonge électrique de calibre 1,50 mm<sup>2</sup>. N'utilisez pas une rallonge plus longue que 15 mètres. Ne reliez pas deux rallonges.

**AVERTISSEMENT :** Ne coupez, retirez ou cassez pas la broche de mise à la terre. Ne tentez pas d'insérer une fiche à trois bornes dans un réceptacle ou connecteur non adapté. Si la fiche ne s'insère pas dans le réceptacle ou le corps du connecteur, contactez votre interlocuteur autorisé pour réaliser le raccordement.

## Consignes pour le branchement électrique (120V)

### Consignes pour le raccordement à l'alimentation électrique et à la mise à la terre.

Ce produit doit être mis à la terre. En cas de dysfonctionnement ou de panne, la terre fournit au courant électrique un chemin de moindre résistance et réduit le risque de commotion électrique. Ce produit est équipé d'un cordon comportant un conducteur de masse et une fiche avec mise à la terre. La fiche doit être branchée dans une prise appropriée qui est correctement installée et mise à la terre conformément à tous les codes et règlements locaux.

**AVERTISSEMENT :** Un branchement incorrect du conducteur de mise à la terre de l'équipement peut entraîner un risque de commotion électrique. Consultez un électricien ou un technicien qualifié si vous avez des doutes concernant la mise à la terre de la prise. Ne modifiez pas la fiche fournie avec le produit – si elle n'entre pas dans la prise, faites installer une prise adéquate par un électricien qualifié.

Ce produit doit être utilisé sur un circuit de 120 volts de tension nominale et comporte une fiche avec mise à la terre qui ressemble à la fiche représentée sur la Fig. 12. Assurez-vous que le produit est branché à une prise ayant la même configuration que la fiche. Il ne faut pas utiliser d'adaptateur avec ce produit. Connectez toujours la machine à une ligne électrique dédiée de 20 ampères pour éviter le déclenchement intempestif du disjoncteur et la surcharge de la ligne due à d'autres appareils.

**AVERTISSEMENT :** Pour prévenir le risque d'électrocution, protégez la machine de la pluie. Gardez la machine dans un bâtiment sec.

**AVERTISSEMENT :** Pour prévenir le risque d'électrocution, utilisez toujours un système électrique à 3 fils relié à la terre électrique. Pour une protection maximale contre les chocs électriques, utilisez un circuit protégé par un disjoncteur de défaut à la terre. Consultez votre sous-traitant électrique.

**AVERTISSEMENT :** Ne coupez, retirez ou cassez pas la broche de mise à la terre. Si la prise ne correspond pas à la fiche, consultez votre entrepreneur électrique.

**AVERTISSEMENT :** Faites remplacer les cordons usés, coupés ou endommagés par un personnel d'entretien agréé.

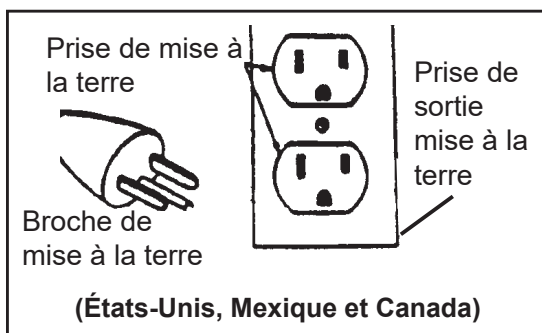
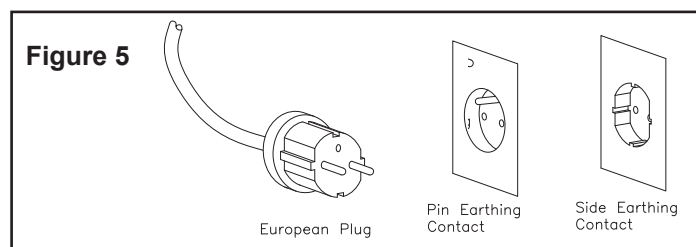


Figure 12

## Consignes pour le branchement électrique (230V)

**ATTENTION :** Cette machine fonctionne uniquement avec la fréquence et la tension CA spécifiées sur la plaque. Assurez-vous que vous utilisez la bonne fréquence et tension avant de brancher le cordon d'alimentation dans une prise.

Cette machine doit être mise à la terre pour protéger l'opérateur du danger d'électrocution. La machine est munie d'un cordon d'alimentation avec deux principaux conducteurs et un conducteur de terre. Branchez la fiche dans un réceptacle du type indiqué dans la figure 5. Le conducteur vert et jaune est le conducteur de terre. Ne jamais brancher ce conducteur à une borne autre que celle de mise à la terre.



**AVERTISSEMENT :** Utilisez toujours cette machine avec un système électrique à 3 conducteurs raccordé à la masse. Remplacez tout cordon usagé, coupé ou endommagé. Remplacez les fiches, réceptacles ou corps de connecteurs endommagés. Ne déplacez pas la machine au-dessus d'un cordon électrique. Soulevez toujours le cordon au-dessus de la machine.

## Transport de l'appareil

### Transport de la machine en zone de chargement limitée :

Pour transporter la machine, procéder comme suit :

1. Abaisser le tambour de ponçage avec le levier de commande. Voir Figure 1.
2. Faire glisser le collier au-delà du chevauchement de l'axe de commande ; retirer la goupille de l'encoche. Voir Figure 2.
3. Tourner et retirer le raccord de poignée du cordon du moteur. Voir Figure 3.
4. Libérer les loquets de poignée et retirer la poignée du châssis. Voir Figure 2.
5. Retirer du châssis le conduit à poussière.
6. Soulever le châssis avec les poignées de transport et le poser dans la zone de chargement. Voir Figure 4.

**⚠ AVERTISSEMENT :** La machine est lourde (43,2kg). Pour éviter toute blessure ou tout endommagement, saisir fermement les poignées de transport; utiliser une technique de levage adéquate.

7. Attacher le châssis pour empêcher tout déplacement dans la zone de chargement. Placer la poignée et le conduit à poussière dans la zone de chargement.

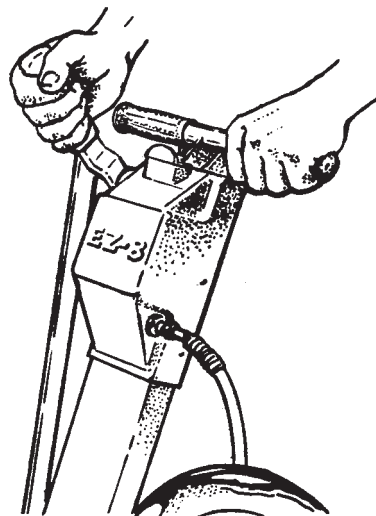


Figure 1

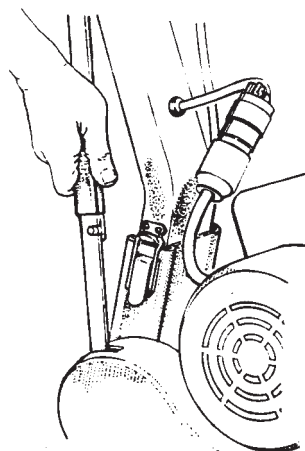


Figure 2

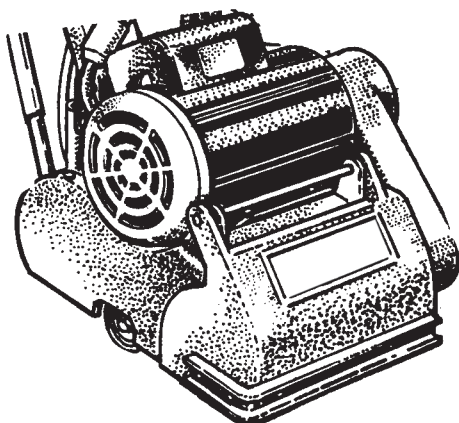


Figure 4

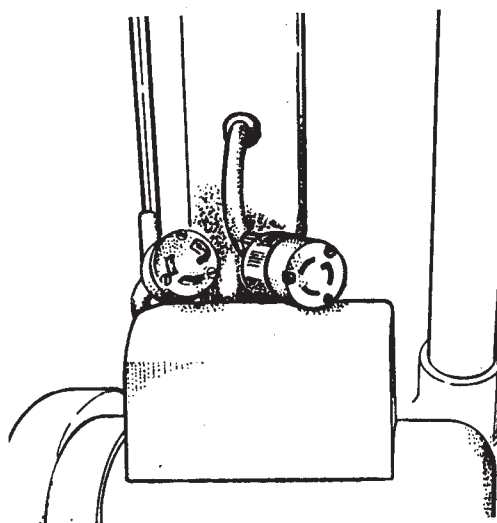


Figure 3

## Préparation de l'appareil

Suivez cette procédure pour assembler votre appareil :

1. Veillez prendre connaissance de l'appareil et lisez toutes les notices de danger, d'avertissements et de mises en garde. Assurez-vous que tous les opérateurs de cet appareil ont bien lu le Manuel de l'utilisateur. S'ils ne sont pas en mesure de lire ce Manuel, ils devront se le faire expliquer entièrement avant d'utiliser la ponceuse.
2. Installer la poignée et fixer les loquets. Voir Figure 6.
3. Introduire l'axe de commande dans l'encoche et glisser le collier sur la goupille. Lever le tambour de ponçage à l'aide du levier de commande. Voir Figures 5 et 6.
4. Installer le conduit à poussière.
5. Brancher le raccord de poignée au cordon du moteur. Aligner la goupille rectifiée, introduire et tourner. Voir Figure 7.
6. Pour installer l'abrasif sur un tambour de ponçage équipé d'une bride du papier : desserrer les vis de la bride avec une pièce de monnaie. Ne pas retirer les vis ni la bride du tambour de ponçage. Introduire un bord du papier abrasif sous la bride. Tourner le tambour pour enrouler l'abrasif autour du tambour. Introduire l'autre bord de l'abrasif sous la bride. Centrer l'abrasif et supprimer tout jeu de l'abrasif. Visser les vis sur la bride du papier. Fermer le capot du tambour. Voir Figure 8.

Pour installer l'abrasif sur un tambour de ponçage équipé d'un manchon : glisser l'abrasif sur le tambour, centrer l'abrasif, et fermer le capot du tambour.

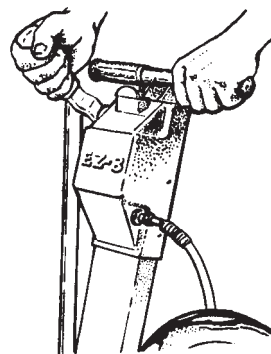


Figure 5

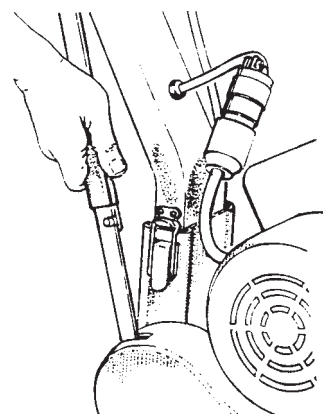


Figure 6

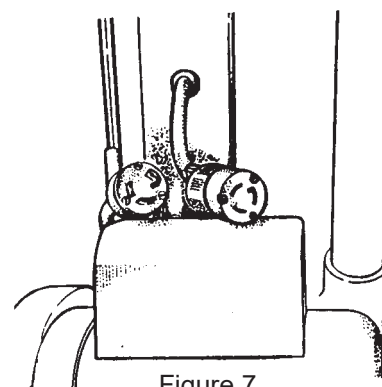


Figure 7

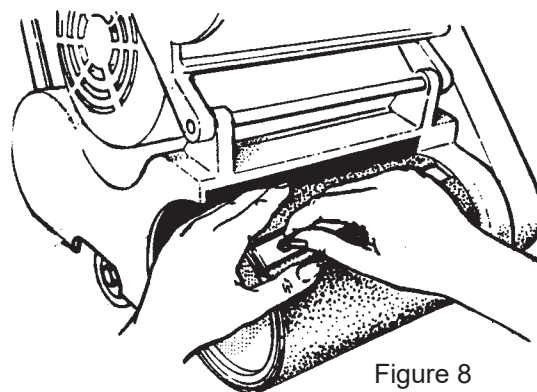


Figure 8

## Préparation de l'appareil

### Préparation des systèmes à distance de collecte des poussières par le vide

Pour préparer la machine à l'utilisation d'un système à distance de collecte des poussières par le vide ayant une extrémité de tuyau de 5 cm, procéder comme suit:

1. Monter l'extrémité de tuyau de 5 cm (figure 1, A) directement sur le tuyau d'évacuation (figure 1, B).
2. Il est possible de tourner le tuyau d'évacuation pour plus de commodité.

Pour préparer la machine à l'utilisation d'un système à distance de collecte des poussières par le vide ayant une extrémité de tuyau de 3,80 cm, procéder comme suit:

1. Monter l'adaptateur d'extrémité de tuyau (5 x 3,8 cm- Pièce n° 30563A) (figure 1, C) sur le tuyau d'évacuation (figure 1, B).
2. Introduire l'extrémité de tuyau de 3,80 cm (figure 1, D) dans l'adaptateur (figure 1, C).

NOTE: Faire démarrer le système à distance de collecte par le vide avant de travailler.

### Préparation pour utilisation du sac à poussières fourni

Pour préparer la machine à l'utilisation du sac à poussières fourni, procéder comme suit:

1. Installez le sac à poussières en appuyant son extrémité sur le tuyau d'évacuation jusqu'à ce que l'anneau se verrouille dans la rainure (figure 2). On y parvient plus facilement en appuyant sur l'arrière de l'ouverture du sac avec la paume de la main.
2. Il est possible de tourner le tuyau d'évacuation pour plus de commodité.
3. Pour retirer le sac à poussières du tuyau d'évacuation, soulever l'extrémité de l'ouverture du sac pour partiellement dégager la nervure interne de la rainure, puis tirer.
4. Pour vider le sac à poussières, ouvrir la fermeture éclair de la trappe d'évacuation des déchets et expulser le contenu en retournant le sac.

NOTE: Pour obtenir les meilleurs résultats, vider fréquemment le sac. Respecter toutes les mises en garde indiquées dans le présent manuel et sur le sac à poussières.

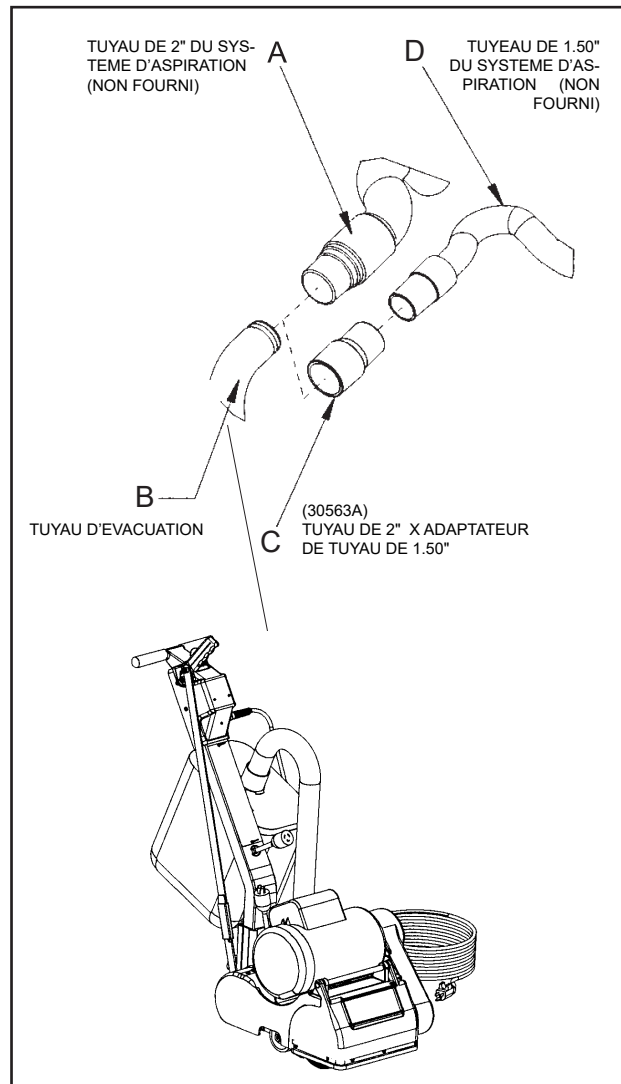


Figure 1

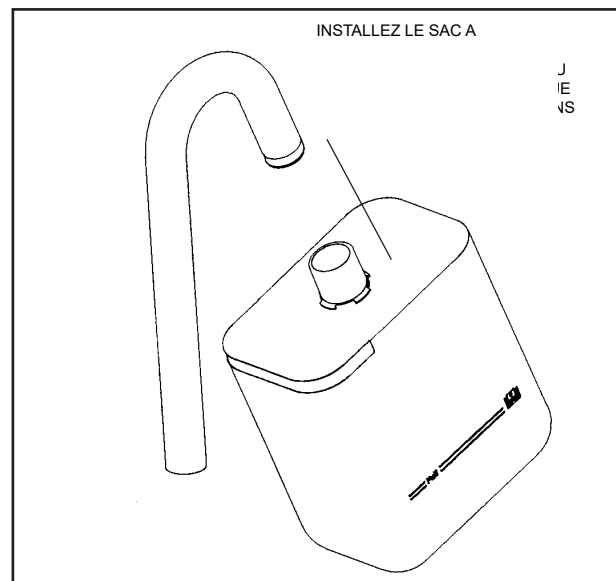


Figure 2



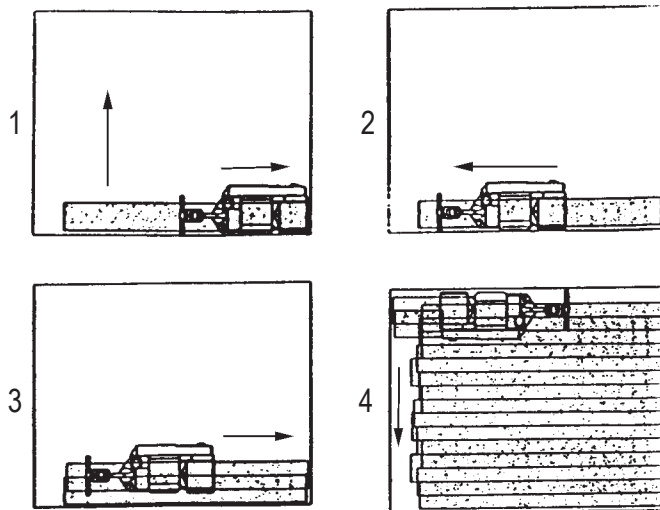
Pour utiliser la machine, procéder comme suit :

1. Repérer tous les clous exposés et les enfoncer avec un marteau pour éviter toute rencontre avec le tambour de ponçage. Brancher la machine sur un circuit (alimentation électrique) adéquat, protégé par des fusibles et mis à la terre. Placer le sélecteur sur la position S (démarrage). Après le démarrage, laisser le sélecteur revenir en position R (marche).

**⚠ MISE EN GARDE :** Pour éviter d'endommager la surface, assurez-vous que la machine est toujours en mouvement lorsque le tambour de ponçage est en contact avec le sol.

2. Travaillez de droite à gauche. Pour chaque passage en avant, déplacez la machine de 10 cm sur le passage qui vient d'être effectué. Revenez sur vos pas sans chevaucher. Voir Figure 11.
3. Poncez légèrement en abaissant le tambour sur la surface à l'aide du levier de commande alors que la ponceuse est en mouvement.
4. Lorsque le tambour est en contact complet avec la surface, relâchez le levier de commande et ajustez votre rythme pour un ponçage adéquat. Maintenez la ponceuse en mouvement alors que le tambour touche la surface pour empêcher l'apparition de marques de pause.
5. Autant que possible, déplacez l'appareil dans le sens du fil du bois. Poncez la surface à un rythme constant.
6. Graduellement, poncez plus légèrement au point de terminaison (fin de votre passage) en soulevant le tambour à l'aide du levier de commande. Décalez les points de terminaison pour un meilleur fondu en bordure. (Voir Figure 11).
7. Pour remplacer l'abrasif, pour vider le contenu du sac à poussière ou lorsque l'opération de ponçage est terminée, placez le sélecteur sur O (off = arrêt). Débranchez la machine de l'alimentation électrique.
8. Videz le sac à poussière lorsqu'il est plein au tiers. Ne laissez jamais un sac de poussière sans surveillance, avec des poussières à l'intérieur. La poussière de ponçage peut s'enflammer spontanément et provoquer un incendie ou une explosion. Videz la poussière dans un conteneur métallique exempt de tout matériau combustible.

Figure 11



## Ponçage et papier abrasif

### Premier passage

Le but du premier passage est d'enlever l'ancienne finition et les plus grosses imperfections sur le parquet. Utilisez un papier abrasif à gros grains. Si la surface est sérieusement endommagée par des rayures profondes, des marques anciennes, des planches inégales ou d'autres détériorations, il pourrait être nécessaire de poncer en travers ou en diagonale par rapport aux fibres du bois, afin de rendre la surface uniforme. Si ces problèmes ne se posent pas, le premier passage devrait se faire dans le sens des fibres du bois.

Si des traces de polissage, de surcharge ou de brûlures sont observées dès le début du premier passage, choisissez un abrasif à grains plus gros. Si ces problèmes surviennent durant le premier passage, le papier abrasif est émoussé et doit être remplacé.

### Passages finaux

Le but d'un passage final est d'enlever les rayures produites durant le premier passage. Utilisez un papier abrasif à petits grains (60-80 grains).

Si la surface demeure rugueuse après un passage final, il pourrait être nécessaire d'utiliser un papier abrasif à grains plus fins (80-100 grains). La taille des grains abrasifs doit être choisie avec soins. Un grain trop fin risque de refermer les pores du bois, nuisant ainsi à l'absorption ultérieure de la teinture.

Si vous détectez une vitrification ou des traces de brûlure dès le début d'un passage final, augmentez la cadence. Si ce problème survient durant un passage final, le papier abrasif s'est émoussé et doit être remplacé.

## Réglage de la ponceuse

### Mise à niveau

Pour régler la mise à niveau de l'appareil, exécutez les opérations suivantes :

1. Repérez la vis de mise à niveau (voir la figure 6).
2. Serrez la vis (en comprimant le ressort de mise à niveau) si vous désirez poncer plus fort sur le côté du tambour adjacent à la courroie d'entraînement.
3. Desserrez la vis (en relâchant le ressort de mise à niveau) si vous désirez poncer plus fort sur le côté du tambour opposé à la courroie d'entraînement.

Situation : Le patin crée des sillons sur les deux côtés ou on rencontre un "sautillement" : Tourner les deux vis de réglage en quantités égales, dans le sens horaire. Serrer les écrous et tester sur un morceau de contreplaqué. Répéter la procédure jusqu'à obtenir la situation correcte. Nous recommandons de ne pas dépasser une rotation de 30 mm à chaque essai.

Situation - Le patin crée un sillon à la pointe du patin : Tourner les deux vis de réglage dans le sens antihoraire, serrer les écrous et tester. Répéter la procédure jusqu'à obtenir la situation correcte. N'utiliser qu'une rotation de 30 mm à chaque essai.

Situation - Le patin crée un sillon sur un seul côté du patin : Tourner la vis de réglage située sur le côté affecté dans le sens horaire, ou tourner la vis de réglage opposée dans le sens anti-horaire, selon que le sillon s'arrête au-delà de la pointe du patin ou avant. S'il se termine avant la pointe, régler le côté affecté, sinon régler le côté opposé.

### Patin à poussières

Pour régler le patin à poussières, exécutez les opérations suivantes :

1. Débranchez l'appareil.
2. Desserrez les quatre vis retenant le patin à poussières au châssis.
3. Amenez le patin à poussières vers le tambour si vous désirez améliorer la récupération des particules fines.
4. Éloignez le patin à poussières du tambour si vous désirez améliorer la récupération des grosses particules.
5. Alignez le patin avec le tambour et serrez les vis (voir la figure 6b).

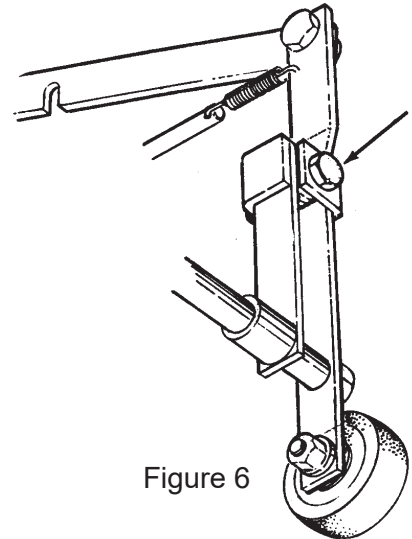


Figure 6

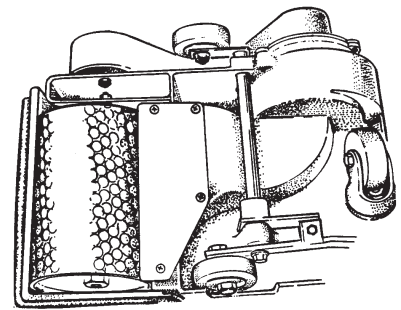


Figure 6b

## Entretien

**CAUTION:** Les éléments suivants doivent être vérifiés et entretenus périodiquement pour que votre ponceuse demeure en bon état.

### Chambre de ponçage

Nettoyez périodiquement la chambre de ponçage avec un jet d'air comprimé pour éliminer les grosses accumulations de débris pouvant nuire à l'efficacité du système de récupération des poussières.

### Roues

Enlevez périodiquement les débris accumulés sur les roues et les roulettes. Ces débris peuvent produire des vagues sur la surface poncée.

### Sac à poussières

Enlevez le sac à poussières de l'appareil et secouez-le bien pour enlever toute la poussière s'y trouvant. Retournez le sac à l'envers et lavez-le à la machine dans l'eau froide pour éviter toute obstruction des pores et toute perte d'efficacité du système de récupération des poussières.

### Courroie d'entraînement

Vérifiez périodiquement les courroies d'entraînement pour voir s'il y a des dents cassées ou des rebords effilochés. Les rebords effilochés peuvent être un signe de mauvaise traction. Réalignez les courroies décalées.

### Paliers

Vérifiez périodiquement les paliers pour voir s'ils sont usés ou endommagés en vous basant sur le calendrier ci-dessous.

Arbre de ponçage: Lubrifiez après 150 heures avec 10 onces (284 ml) de graisse NLGI catégorie 2, -30°F (-2 °C) à 250°F (107°C), 58-75 SUS à 210°F (85°C).

Arbre du moteur: Après les premières 5000 heures.

Arbre du ventilateur: Après les premières 1500 heures.

## Dépannage

Problème	Cause	Solution
Les courroies d'entraînement sautent des dents ou grincent.	Courroie endommagée. Tension insuffisante. Courroie mal centrée.	Remplacez la courroie. Tendre la courroie. Alignez la poulie.
Crissement, grognement ou bruit de frottement sortant de l'appareil.	Palier endommagé ou usé.	Enlevez les courroies d'entraînement, faites tourner les arbres de ponçage, du moteur et du ventilateur pour repérer le palier endommagé. Contactez un détaillant American Sanders agréé.
Le système ramasse peu de poussières.	Le sac à poussières est plein à plus du tiers. Le sac à poussières est encrassé. Le patin à poussières est mal réglé. Chute à poussières obstruée.	Videz le sac. Secouez le sac pour enlever les débris et lavez le sac. Réglez le patin à poussières. Enlevez le patin à poussières et nettoyez l'admission.
Le moteur ne démarre pas.	Défectuosité du démarreur du moteur. Défectuosité du condensateur de démarrage. Défectuosité de l'interrupteur de démarrage. Mauvaises connexions. Dispositif antisurcharge déclenché. Défectuosité du moteur. Aucune alimentation électrique.	Contactez un détaillant American Sanders agréé. Contactez un détaillant American Sanders agréé. Contactez un détaillant American Sanders agréé. Vérifiez les connexions. Coupez l'alimentation électrique. Appuyez sur le bouton de réamorçage du moteur. Contactez un détaillant American Sanders agréé. Vérifiez l'alimentation électrique et les connexions.
Le moteur fonctionne trop lentement.	Tension faible à cause d'une rallonge trop longue ou trop fine ; mauvaise connexion. Défectuosité du condensateur de fonctionnement. Défectuosité du moteur.	Trouvez une source d'alimentation électrique plus proche de la zone de travail. Vérifiez les connexions. Contactez un détaillant American Sanders agréé. Contactez un détaillant American Sanders agréé.
Le dispositif antisurcharge du moteur se déclenche ou se déclenche très souvent.	Tension faible à cause d'une rallonge trop longue ou d'une mauvaise section ; mauvaise connexion. Charge excessive. Défectuosité de l'interrupteur de démarrage. Défectuosité du démarreur du moteur. Moteur défectueux. Condensateur défectueux.	Coupez l'alimentation électrique et laissez le moteur se refroidir. Appuyez sur le bouton de réamorçage sur le moteur. Trouvez une source d'alimentation électrique plus proche de la zone de travail. Vérifiez les connexions. Contactez un détaillant American Sanders agréé. Contactez un détaillant American Sanders agréé. Contactez un détaillant American Sanders agréé. Contactez un détaillant American Sanders agréé. Contactez un détaillant American Sanders agréé.
Ponçage inégal.	Patin de mise à niveau mal réglé.	Réglez le patin de mise à niveau.
Brûlure ou vitrification.	Abrasif émoussé. Utilisation d'un abrasif à grains trop fins.	Remplacez le papier abrasif. Utilisez un abrasif à grains plus gros.
Vagues sur la surface poncée.	Débris sur les roues. Sections plates sur un ou plusieurs pneus.	Enlevez et nettoyez les roues. Remplacez les pneus.

**Drum Sander  
EZ-8  
Operator's Manual**

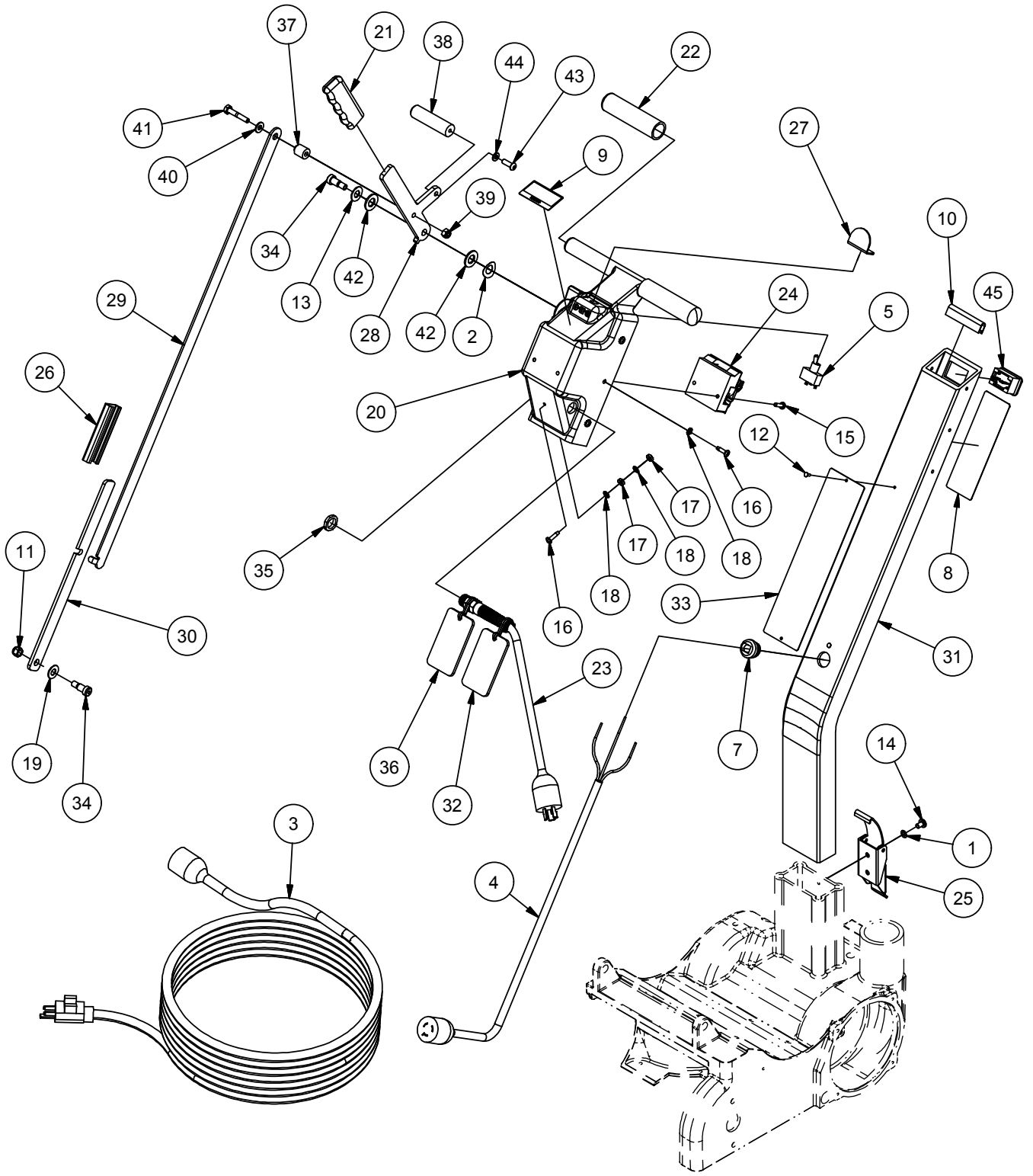
Notes:





**EZ-8**  
**Sander**  
Section II  
**Parts Manual**

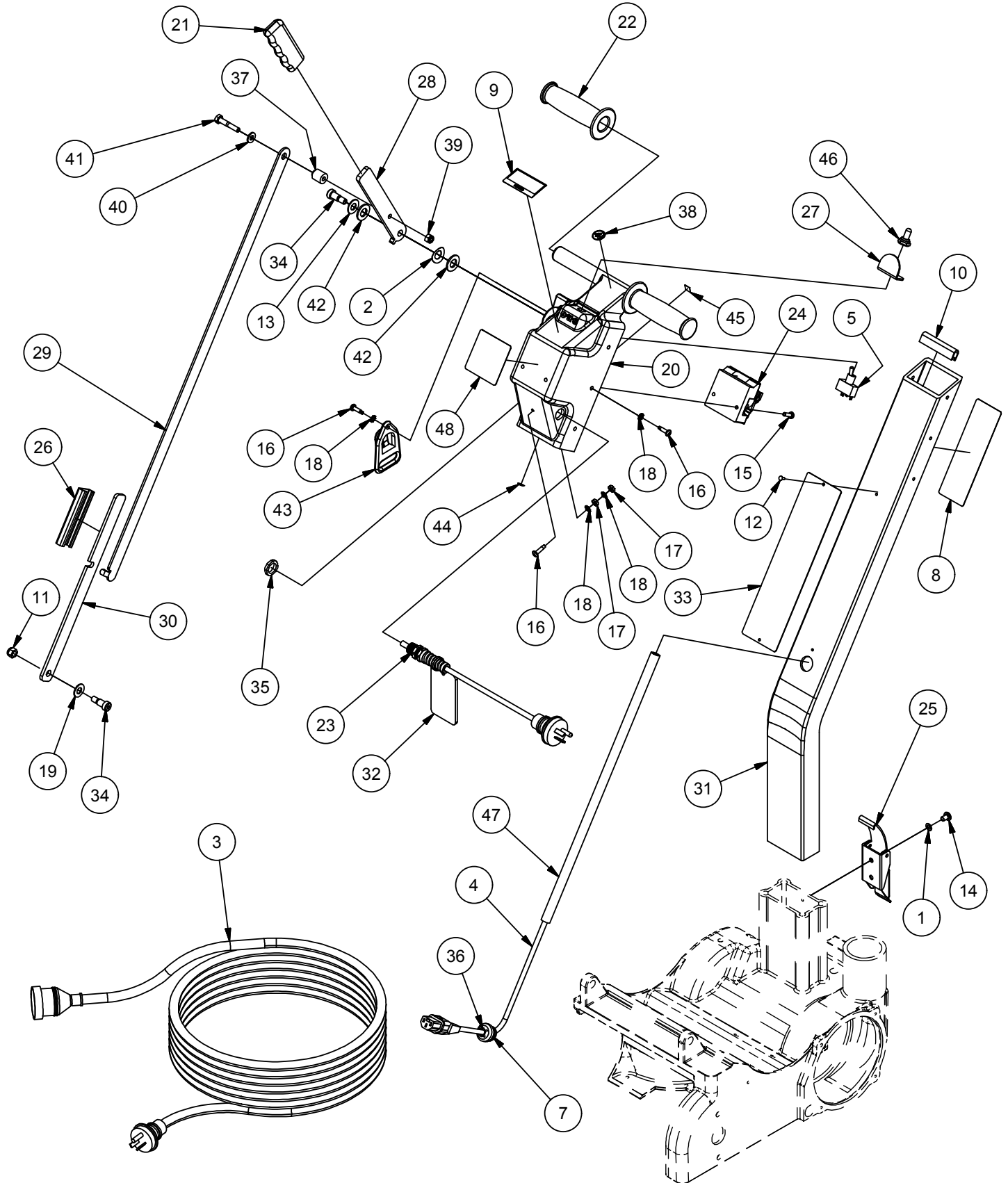
# HANDLE ASSEMBLY (07012A, 07058A, 07057A)



## HANDLE ASSEMBLY (07012A, 07058A, 07057A)

Parts List				Parts List			
ITEM	QTY	PART NUMBER	DESCRIPTION	ITEM	QTY	PART NUMBER	DESCRIPTION
1	2	170892	WASHER LK 1/4 REGSS	1	2	170892	WASHER LK 1/4 REGSS
2	1	NB069300	WASHER, SPRING, .52 ID X .98 OD	24	1	41807A	
3	1	40540A	CORDSET, 12-3 X 40FT 5-15P (07012A)	25	1	55711A	
	1	42183A	CORD SETPOWER40FT EZ-8 (07058A, 07057A)	26	1	61659A	
				27	1	63928A	
4	1	40543A	CORD INTERCONNECT w/ L6-15R (07012A)	28	1	MP473400	
	1	41948A	CORD INTERCONNECTING EZ-8 (07058A, 07057A,)		1	AS022300	
5	1	47387B	SWITCH TOGGLE DP3T W/WIRES	29	1	65706A	
[6]	1	48905A	WIRE ASM RELAY 3 WHT EZ-8	30	1	65707A	
7	1	51523A	BUSHING, STRAIN RELIEF	31	1	AS007700	
8	1	71347A	LABEL CCA WARNING (07058A, 07057A,				
9	1	77299A	LABEL CAUTION EZ-8		1	69106A	
10	2.6"	97100A	TRIM/VINYLBLACK400 FT. SPOOL	32	1	70175A	
11	1	920110	NUT, 5/16-18 HEX LOCK	33	1	74052A	
12	2	930093	RIVET, POP, 1/8 X 1/4-5/16 POP STEEL	34	2	80026A	
				35	1	81210A	
13	1	NB025200	WASHER, FLAT, 3/8", SS	36	1	70175A-FR	
14	2	962094	SCR 1/4 -20X 3/8 RD ST MACH				
15	2	962109	SCREW, 10-24 X 5/8, PN, SS	37	1	MP473300	
16	7	962677	SCREW 10-24X 3/4 PN ST TP23 PH	38	1	MP473500	
17	2	MX1035	NUT, HEX, 10-24 UNC	39	1	NB3275	
18	8	980603	WASHER, LK 10 EXT TOOTH	40	1	NB3350	
19	1	980645	WASHER, 3/8" SAE, FLAT	41	1	NB030500	
20	1	24525A	CONTROL HOUSING	42	2	NB018000	
21	1	34609A	GRIP, CONTROL, LEVER, EZ-8	43	1	NB049000	
22	2	34610A	GRIP, 7/8 HANDLE	44	1	NB6110	
23	1	40541A	CORD ADAPTER EZ-8 (07012A)	45	1	AS007800	
	1	42183A	CORDSET POWER 40 FT EZ-8 (07058A)				
				[ ]	=	NOT SHOWN	

# HANDLE ASSEMBLY (07060A, 07084A)



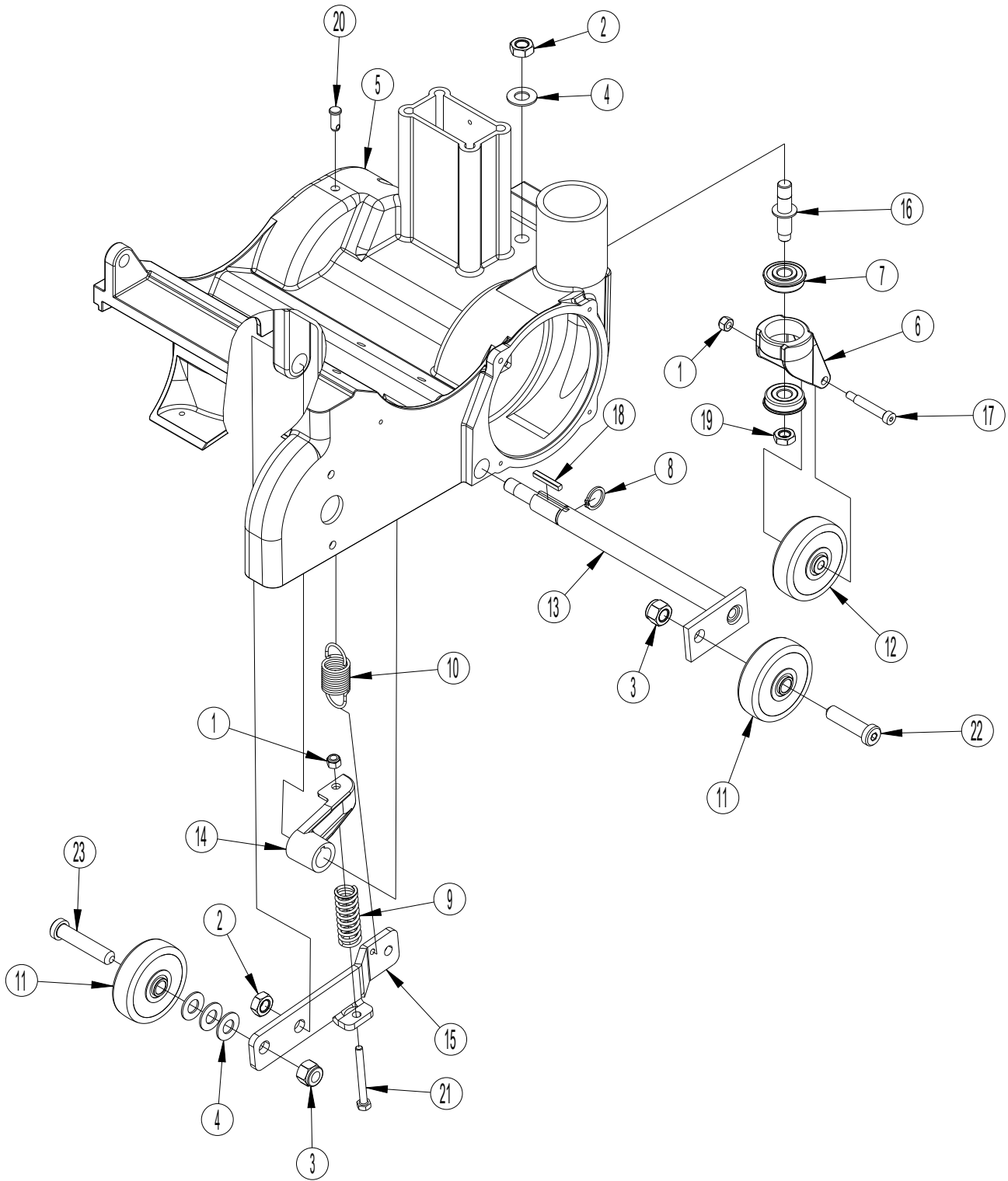


## HANDLE ASSEMBLY (07060A, 07084A)

Parts List			
ITEM	QTY	PART NUMBER	DESCRIPTION
1	2	170892	WASHER LK 1/4 REGSS
2	1	NB069300	WASHER, SPRING, .52 ID X .98 OD
3A	1	AS008300	CORDSET, 49 FEET, AUST.
3B	1	MP513000	CORD, POWER SUPPLY, CE, RED
4	1	AS008500	CORD, INTERCONNECT, EZ-8, AUSTRALIA
5	1	47387B	SWITCH TOGGLE DP3T W/WIRES
[6]	1	48905A	WIRE ASM RELAY 3 WHT EZ-8
7	1	51523A	BUSHING, STRAIN RELIEF
8	1	71347A	LABEL CCA WARNING
9	1	77299A	LABEL CAUTION EZ-8
10	2.6"	97100A	TRIMVINYLBLACK400 FT. SPOOL
11	1	920110	NUT, 5/16-18 HEX LOCK
12	2	930093	RIVET, POP, 1/8 X 1/4-5/16 POP STEEL
13	1	NB025200	WASHER, FLAT, 3/8", SS
14	2	962094	SCR 1/4 -20X 3/8 RD ST MACH
15	2	962109	SCREW, 10-24 X 5/8, PN, SS
16	7	962677	SCREW 10-24X 3/4 PN ST TP23 PH
17	2	MX1035	NUT, HEX, 10-24 UNC
18	8	980603	WASHER, LK 10 EXT TOOTH
19	1	980645	WASHER, 3/8" SAE, FLAT
20	1	24525A	CONTROL HOUSING
21	1	34609A	GRIP, CONTROL, LEVER, EZ-8
22	2	MP366900	GRIP, HANDLE, 7/8", BLK
23A	1	AS008600	CORDSET, POWER, EZ-8, AUST.
23B	1	AS036400	CORD, PIGTAIL, EZ8, IEC
24	1	41808A	CONTACTOR 1.5HP 240V

Parts List			
ITEM	QTY	PART NUMBER	DESCRIPTION
25	1	55711A	LATCH DRAW
26	1	61659A	COLLAR CONTROL LINK
27	1	63928A	GUARD SWITCH
28	1	AS010100	LEVER, FEATHERING
29	1	65706A	LINK, CONTROL
30	1	65707A	LINK, CONTROL ADJUSTER
31	1	69106A	TUBE, HANDLE, EZ-8
32	1	70175A	TAG WARNING ENG-SPN
33	1	74052A	PLATE WARNING
34	2	80026A	BOLT SHOULDER 3/8 X 1/2
35	1	81210A	LOCKNUT, 3/8 CONDUIT
36	1"	NB072800	HEAT SHRINK, 3/4", BLACK, THICK WALL
37	1	MP473300	SPACER, LEVER, FEATHERING
38	1	AS006900	DECAL, "CONSULT OPER. MANUAL"
39	1	NB3275	NUT, LOCK, 1/4"
40	1	NB3350	WASHER, FLAT, 1/4"
41	1	NB030500	BOLT, HEX, 1/4-20 X 1-1/2 SS
42	2	NB018000	WASHER, FLAT, NYLON, 1/2"
43	1	AS009000	HOOK, TETHER, CORD, SUPPORT
44	1	AS006800	DECAL, "N"
45	1	77094A	LABEL, GROUND SYMBOL
46	1	AS006700	BOOT, TOGGLE, SWITCH
47	24"	NB045600	LOOM, SPLIT, 3/8" I.D., BLACK
48	1	AS012400	DECAL, HANDLE, EZ-8

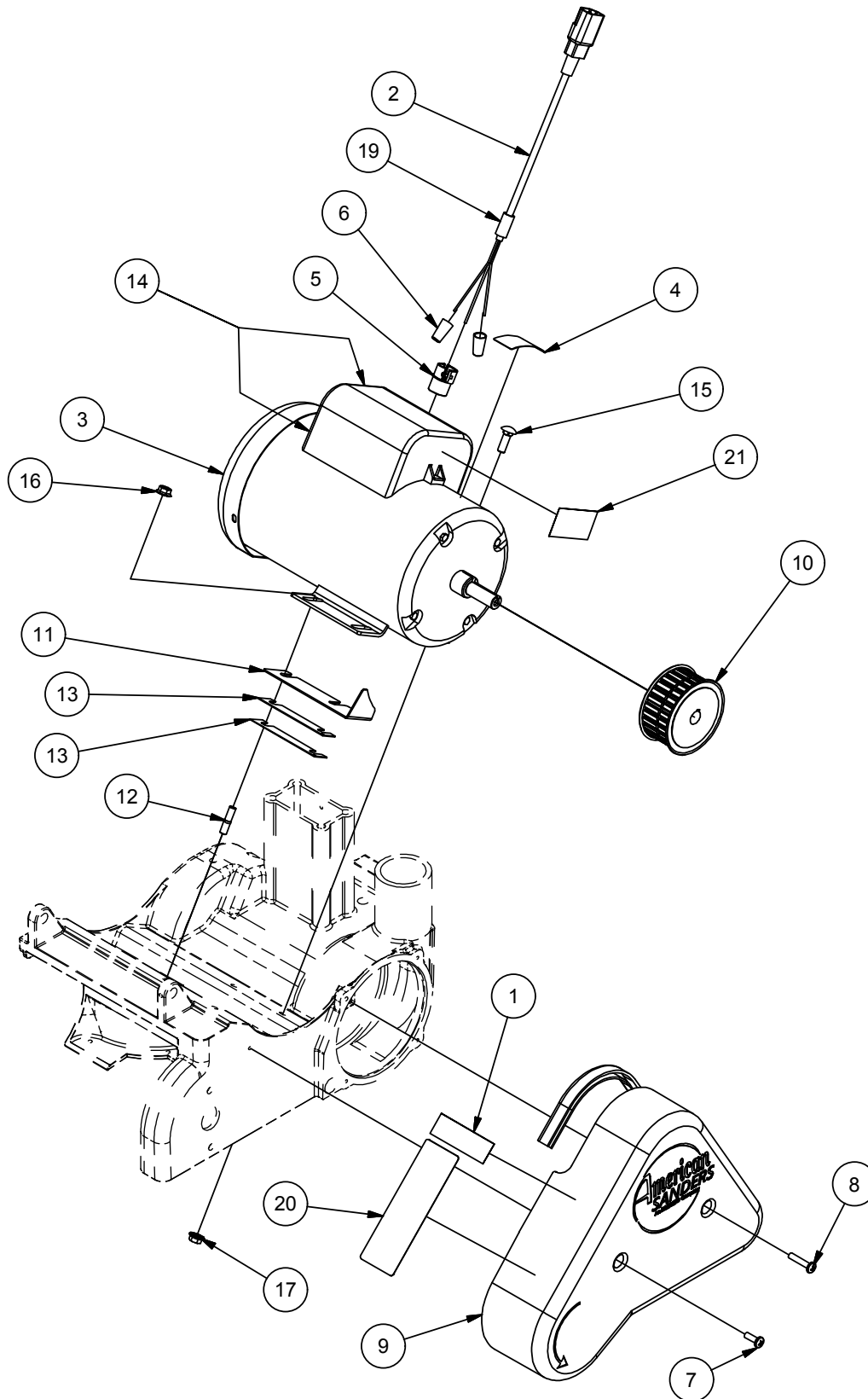
# BASE ASSEMBLY



## BASE ASSEMBLY

Item	Ref. No.	Qty	Description
1	920284	2	Nut Stop Elastic 1/4-20 Heavy
2	NB003100	2	Nut 1/2-13 Hex Jam
3	920365	2	Nut 1/2-13 Nylock
4	980648	4	Washer 17/32 X 1 1/16 Plain
5	25903A	1	Mainframe Ez-8
6	29405A	1	Yoke, Caster Ez-8
7	51194B	2	Bearing, Flanged 1.375x.500x.312
8	57423A	1	Retaining Ring External Sh .75 Heavy
9	58698A	1	Spring Compression Truck Level Ez-8
10	58699A	1	Spring Tension Drum Pressure Ez-8
11	59945A	2	Wheel Truck
12	59960A	1	Wheel Caster
13	60166A	1	Axle, Truck
14	60434B	1	Arm, Truck Level
15	60435A	1	Arm, Truck Lift
16	67468A	1	Shaft Caster
17	80012A	1	Bolt Shoulder 5/16 X 1 1/2
18	80501A	1	Key Mtr Shaft-3/16sq X 1 1/4I
19	81307A	1	Nut7/16-14 Hex Jam Ez-8
20	82504A	1	Pinclevs5/16 X 3/4
21	85835A	1	Screw 1/4-20x2.50 Hhms
22	86113A	1	Screw 1/2-13x2.00 Low Head Soc Cap
23	86114A	1	Screw 1/2-13x2.50 Low Head Soc Cap

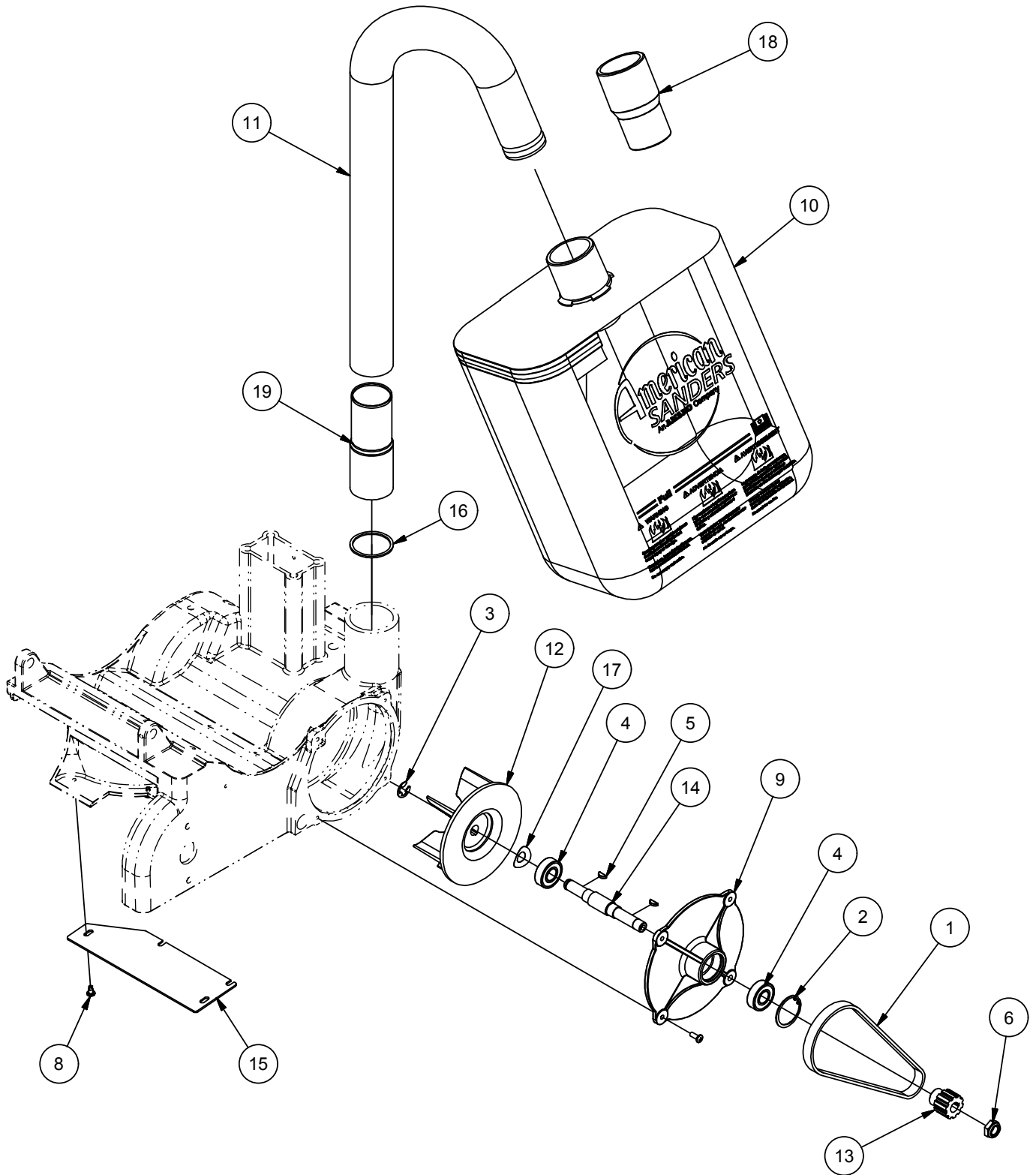
# MOTOR ASSEMBLY



## MOTOR ASSEMBLY

Parts List			
ITEM	QTY	PART NUMBER	DESCRIPTION
1	1	56380639	DECAL PROP 65
2	1	AS008400	CORD, MOTOR, EZ-8, AUSTRALIA (07060A, 07084A)
	1	40542A	CORD, MOTOR W, L6-15P (07012A)
	1	41949A	CORD MOTOR EZ-8 (07058A, 07057A)
3	1	44642A	MOTOR 1.5 HP 115V/60HZ EZ-8 (07012A, 07058A, 07057A)
[ ]	1	41306A	CAPACITOR RUN 115V EZ-8
[ ]	1	41307A	CAPACITOR START 115V EZ-8
[ ]	1	47391A	SWITCH THERMAL 115V EZ-8
	1	44648A	MOTOR 1.5 HP 240V/50HZ EZ-8 (07060A, 07084A)
[ ]	1	AS010600	CAPACITOR, RUN, 230V, EZ-8, 440
[ ]	1	41309A	CAPACITOR START 240V EZ-8
[ ]	1	47392A	SWITCH THERMAL 230V 240V EZ-8
4	1	77234A	LABEL WARNING HEAVY OBJECT
5	1	170637	CONDUIT CONNECTOR 3/8" 2-SCREW
6	2	170667	CONNECTOR, WIRE NUT, 74B, YELLOW
7	1	962892	SCREW, 1/4-20 X 3/4 PN ST
8	1	962988	SCREW, 1/4-20 X 1-1/4, PN, ST, PH
9	1	29918A	GUARD BELT FA-8 EZ-8
10	1	61089A	PULLEY, FAN/DRUM
11	1	61807A	SHIELD GUARD FA-8
12	2	68015A	STUD 5/16-18X5/16-24X1.25 LONG
13	2	69031A	SHIM, MOTOR
14	2	70825A	LABEL, HDTR 2X5 (07012A)
15	2	80027A	BOLT RD HD SQ NECK 5/16X1
16	2	81208A	NUT, 5/16-24 HEX SERRATED FLANGE
17	2	81211A	NUT, 5/16-18 HEX SERRATED FLANGE
18	1	97100A	TRIM VINYL BLACK
19	1"	NB072800	HEAT SHRINK, 3/4", BLACK, THICK WALL (07060A, 07084A)
20	1	71347A	LABEL CCA WARNING
21	1	MP476500	DECAL, FUSE, TIME DELAY (07012A, 07057A, 07058A)

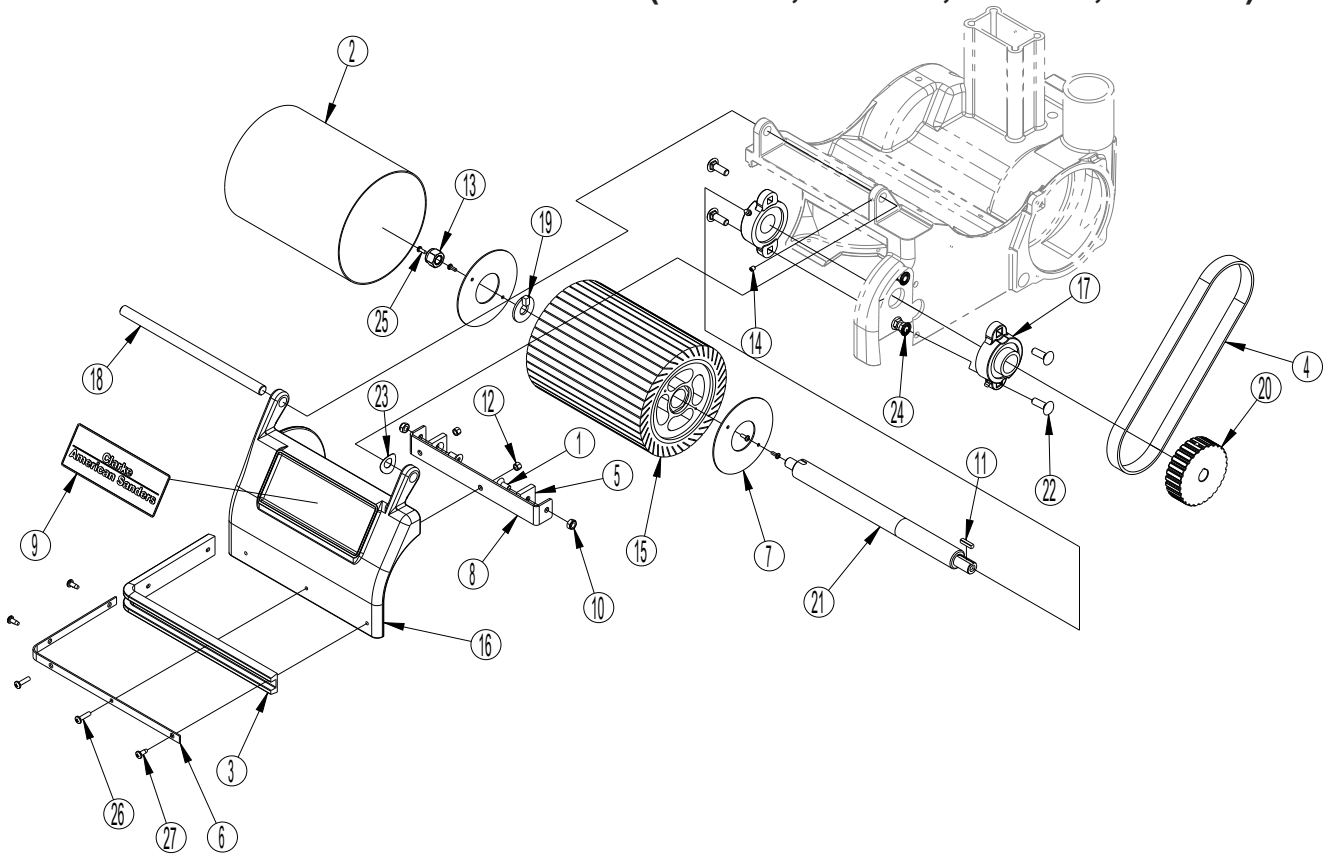
# DUST CONTROL ASSEMBLY



## DUST CONTROL ASSEMBLY

Parts List			
ITEM	QTY	PART NUMBER	DESCRIPTION
1	1	50917A	BELT FAN EZ-8
2	1	167312	RING, RETAINER, INTERNAL
3	1	877307	RING RETAINING .500 E STYLE
4	2	902567	BEARING BALL DOUBLE SEALED
5	2	915561	KEY 1/8 X 1/2 WOODRUFF
6	1	NB003100	NUT, HEX, 1/2"-13, JAM
7	3	962798	SCREW, 10-24 X 1/2 P.H.
8	4	962826	SCREW 10-24X 3/8 PN ST TP F PH
9	1	22122A	COVER FAN PNTD EZ-8
10	1	53741A	BAG, DUST, OBS-18
11	1	61897A	DUST TUBE
12	1	65005A	IMPELLER EZ-8
13	1	66159A	PULLEY FAN EZ-8
14	1	67457A	SHAFT EZ-8
15	1	67612A	DUST SHOE EZ-8
16	1	68285A	SUPPORT, TUBE
17	1	80295A	WASHER BOWED .516ID X 1.06OD
18	1	30563A	2" X 1.50" HOSE ADAPTOR (07057A, 07058A, 07060A, 07084A)
19	1	AS015400	TUBE, ADAPTER EZ-8 ( 07060A, 07084A)

# SANDING DRUM ASSEMBLY (07012A, 07058A, 07060A, 07084A)

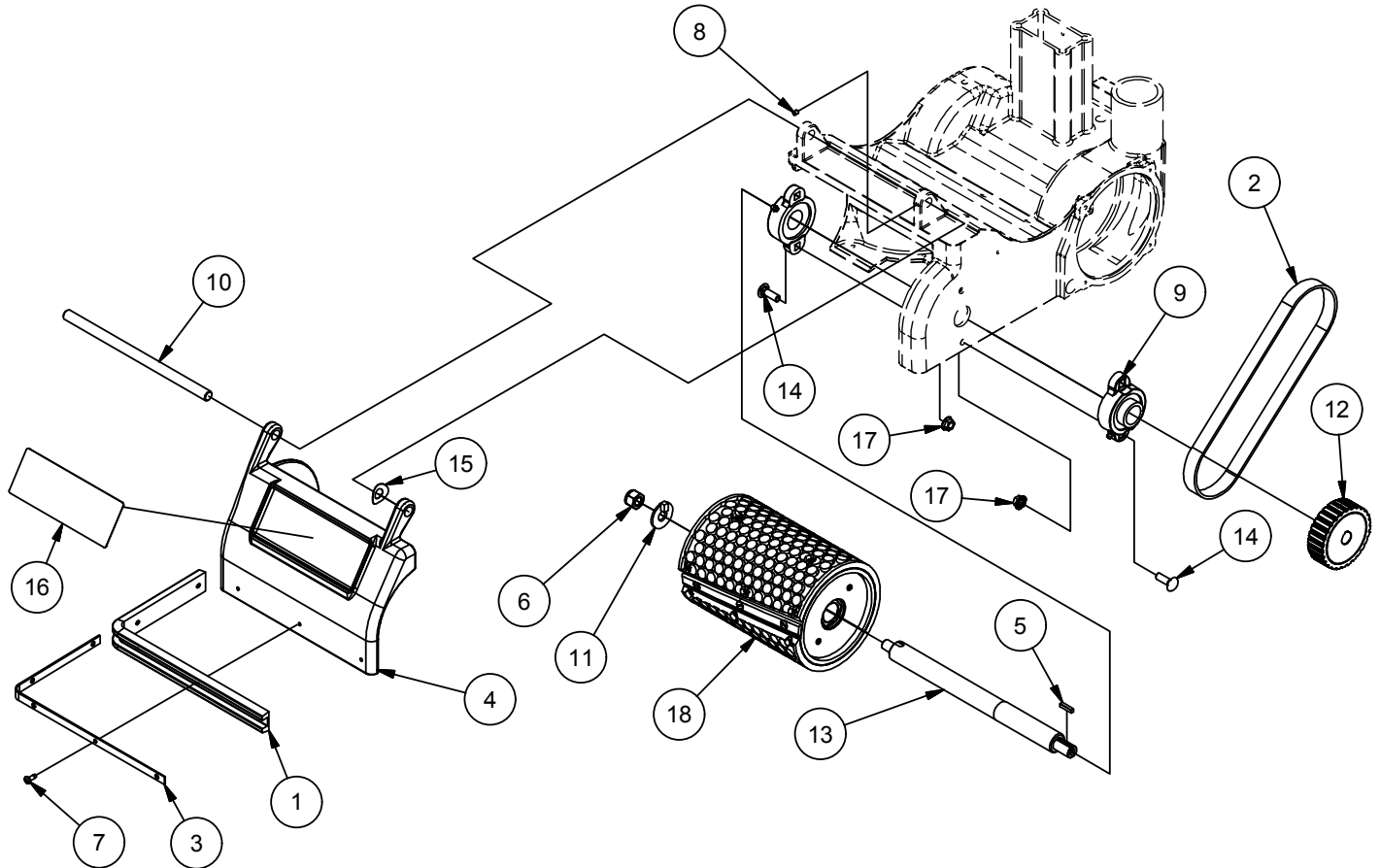


Item	Ref. No.	Qty	Description	Item	Ref. No.	Qty	Description
1	962505	2	Scr 1/4 -20x 5/8 Sf St Cap	17	51178B	2	Bearing Flange 1" 2 Hole
2	56382757	1	Abrasive Sleeve	18	64469A	1	Handle, Lifting
3	31223A	1	Bumper, Front	19	65310A	1	Key Washer (Ez-8)
4	50916A	1	Beltdrum Ez-8	20	66161A	1	Pulley Drum
5	60906A	2	Block Wear Ez-8	21	67459A	1	Shaft Arbor
6	66948A	1	Retainerbumperpltd Ez-8	22	80027A	4	Bolt Rd Hd Sq Neck 5/16x1
7	68651A	2	Plate Drum End Ez-8 Sleeve	23	80295A	1	Washer Bowed
8	69098A	1	Strip Wear Ez-8	24	81211A	4	Nut, 5/16-18 Hex Serrated Flange
9	70488A	1	Nameplate, Ez-8	25	85313C	4	Screw Phms 6-32x3/8 Cross Recessed
10	81217A	2	Nut, 1/4-20 Hex Esna	26	85381A	2	Screw, 10-24 X .75 P.H.
11	915082	1	Key, 3/16 Sq. X 3/4"	27	85517A	3	Screw #10-24 X 1/2 PHCR Type 23
12	920296	2	Nut 10-24 Elastic Stop	*	65311A	1	Drum Asm. Kit Expanding (includes 7, 15, 25)
13	920365	1	Nut 1/2-13 Nylock	*	14663A	1	Wearstrip Kit EZ-8 (includes 1, 5, 8, 10, 12, 26)
14	962170	1	Screw 10-24x1/4 Hrss Cup Pt	*	56380352	1	Expander Drum Kit (includes 65311A & 14663A)
15	21011A	1	Drum Expansion Asm				
16	22123A	1	Cover, Front, (Ez-8)				

\* = Optional, Not Included



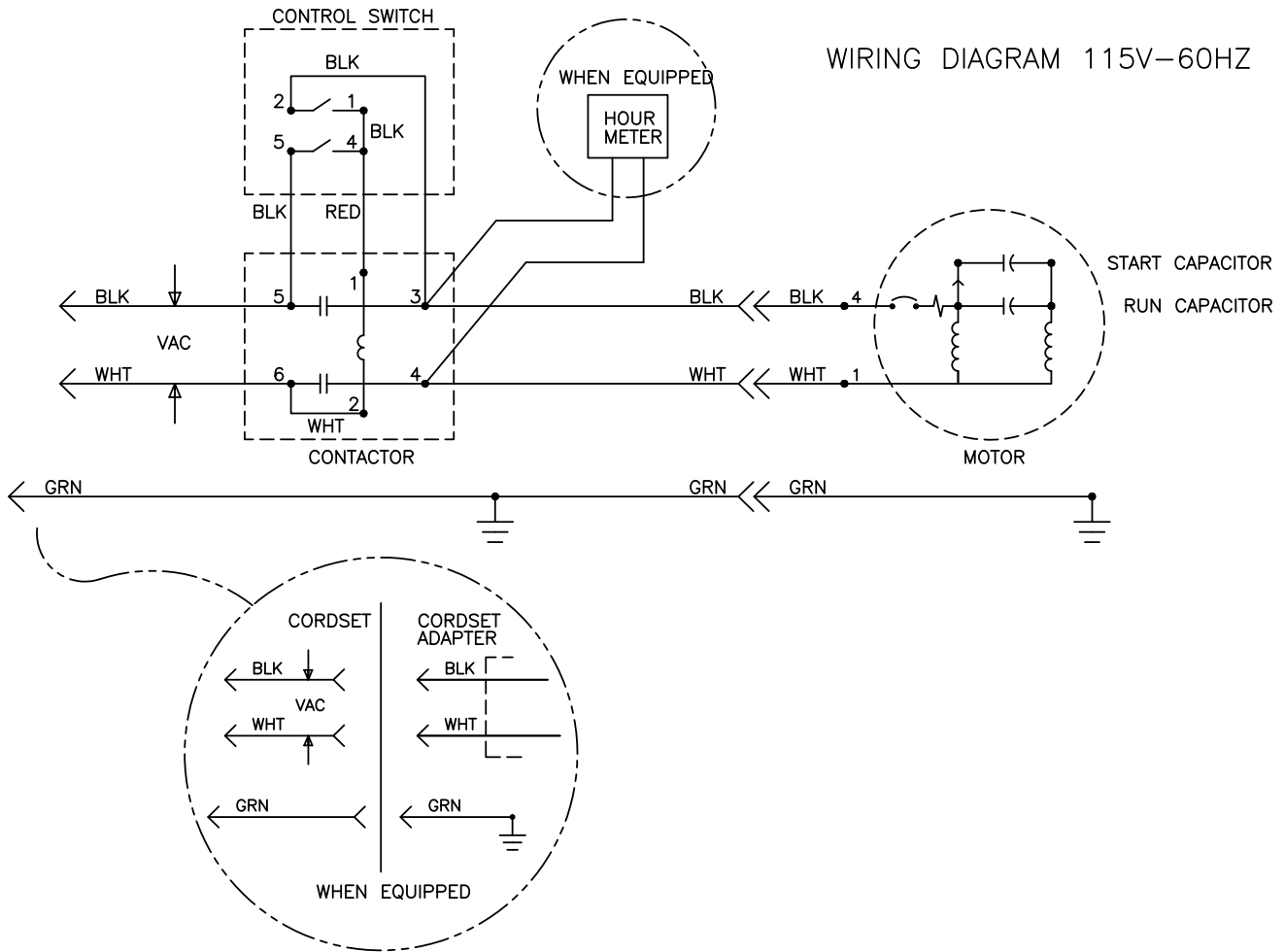
## SANDING DRUM ASSEMBLY (07057A)



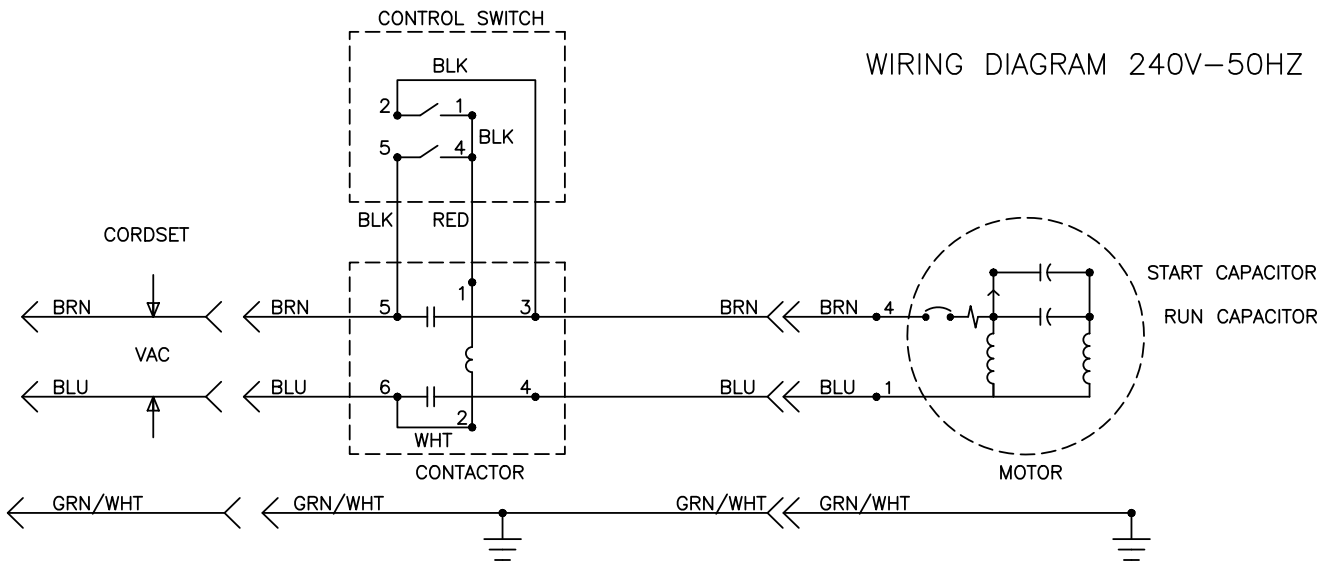
Parts List			
ITEM	QTY	PART NUMBER	DESCRIPTION
1	1	31223A	BUMPER, FRONT
2	1	50916A	BELT, DRUM, EZ-8
3	1	66948A	RETAINER, BUMPER, PLTD, EZ-8
4	1	22123A	COVER, FRONT, (EZ-8)
5	1	915082	KEY, 3/16 SQ. X 3/4"
6	1	920365	NUT 1/2-13 NYLOCK
7	5	85517A	SCREW #10-24 X 1/2 PHCR TYPE 23
8	1	962170	SCREW 10-24X1/4 HRSS CUP PT
9	2	51178B	BEARING FLANGE 1" 2 HOLE
10	1	64469A	HANDLE, LIFTING
11	1	65310A	KEY WASHER (EZ-8)
12	1	66161A	PULLEY, DRUM, EZ-8
13	1	67459A	SHAFT ARBOR CLAMP DRUM EZ-8
14	4	80027A	BOLT RD HD SQ NECK 5/16X1
15	1	80295A	WASHER BOWED .516ID X 1.06OD
16	1	AS014600	NAMEPLATE, EZ-8
17	4	81211A	NUT, 5/16-18 HEX SERRATED FLANGE
18	1	13507A	DRUM ASM CLAMP STYLE EZ-8

# Wiring Diagram

WIRING DIAGRAM 115V-60HZ



WIRING DIAGRAM 240V-50HZ



# Limited Warranty

## EZ-8 Sander

### TO QUALIFY FOR THIS WARRANTY

- (1) Machine must be registered within 30 days from the time of purchase on a form provided by American Sanders. Your American Sanders Distributor is responsible for the registration of your machine. Please cooperate with your Distributor in supplying necessary information on the card.
- (2) The machine must have been purchased from American Sanders or an authorized American Sanders Distributor.
- (3) This warranty extends to the original purchaser only and is not transferable to subsequent owners.

### TIME PERIODS

ONE (1) YEAR WARRANTY - For the EZ-8 Sander.

Warranted to be free from defects in material and workmanship for a period of one (1) year from the date of purchase by the original owners. (See Exclusions)

### EXCLUSIONS (Not Covered by Warranty)

- (1) Expendable wear items and parts that fail through normal wear by reason of their characteristics (cords, drums, belts, wheels, bearings, filters, bags, or other consumable parts).
- (2) This warranty does not extend to parts affected by misuse, neglect, abuse, accidents, damage in transit, overloading the capacity of the machine, failure due to lack of proper maintenance or care as described in the operating and maintenance instructions. All defective parts must be returned to the distributor for credit.
- (3) Minor adjustments, such as tightening of screws or bolts not connected with the replacement of parts, are not covered.
- (4) Repairs or alterations by an organization other than the factory or an Authorized Service Center are not covered and will void any American Sanders warranty as to the parts or systems repaired or altered by a non-authorized organization.

### THE OBLIGATION OF AMERICAN SANDERS

- (1) The obligation of American Sanders under this warranty is limited to repairing or replacing, at its option, any part which is proven to be defective in material or workmanship under normal use for the applicable period stated above.
- (2) Warranty repairs will be made by your American Sanders Distributor without charge for parts and labor. They will be compensated with a warranty labor rate of \$45.00 per hour, for the first year of ownership.
- (3) Parts repaired or replaced under this warranty are warranted only during the balance of the original warranty period. All defective parts replaced under these warranties become the property of American Sanders.

### WARRANTY SERVICE

To obtain warranty service, take your machine and proof of purchase to any authorized American Sander Distributor. American Sanders will not reimburse expenses for service calls or travel. For the Distributor in your area, call American Sanders Customer Service Department at 800-367-3550 or 336-372-8080. If you are dissatisfied with the service that you receive, call or write American Sanders Customer Service Department for further assistance.

### INSTRUCTIONS AND CONDITIONS FOR WARRANTY REIMBURSEMENT

- Order replacement part: Orders will be processed and charged, as normal procedure.
- Call American Sanders for R/A number.
- You will need the Machine Serial Number and the Machine Model Number.
- Parts must be returned, accompanied with the R/A number to be eligible for warranty credit.
- All Warranty Parts will be shipped prepaid UPS Ground, any other method will be at the recipients expense.
- Freight on any Warranty Part after 30 days must be paid for by the Purchaser.
- Warranty labor rate is \$45.00 per hour.
- Credit will be issued upon completion of the above steps, at the above rates.

Transportation of hazardous waste or contaminated equipment is subject to various laws and regulations. In returning machines, parts, or accessories under this limited warranty, the end user must certify in writing that the machines, parts, or accessories being returned have not been used for handling, clean up, or disposal of hazardous waste or hazardous materials including but not limited to such things as asbestos, anthrax etc. or if the machines, parts, or accessories being returned have been used for handling, clean up, or disposal of hazardous waste or hazardous materials, then the end user must have the machines, parts or accessories decontaminated by licensed and qualified decontamination professionals and provide written certification of this decontamination signed by the decontamination professionals. These machines, parts or accessories are to be returned only to the local American Sanders Service Center for warranty service along with decontamination certification.

### DISCLAIMER OF CONSEQUENTIAL

THERE ARE NO WARRANTIES THAT EXTEND BEYOND THE DESCRIPTION OF THE LIMITED WARRANTIES STATED WITHIN. NO OTHER WARRANTY, EXPRESSED OR IMPLIED, INCLUDING BUT NOT LIMITED TO ANY IMPLIED WARRANTY OF MERCHANTABILITY OR FITNESS FOR A PARTICULAR PURPOSE, IS MADE EXCEPT AS EXPRESSLY STATED HEREIN. ANY STATUTORY IMPLIED WARRANTIES, INCLUDING ANY WARRANTY OF MERCHANTABILITY OR FITNESS FOR A PARTICULAR PURPOSE, THAT ARE IMPOSED BY LAW DESPITE THE EXPRESS LIMITATION OR WARRANTIES ABOVE, ARE EXPRESSLY LIMITED TO THE DURATION OF THE WRITTEN WARRANTY. BUYER UNDERSTANDS, ACKNOWLEDGES AND AGREES THAT THE REMEDIES PROVIDED UNDER THIS LIMITED WARRANTY ARE THE SOLE AND EXCLUSIVE REMEDIES AVAILABLE TO THE BUYER. AMERICAN SANDERS DISCLAIMS ANY RESPONSIBILITY FOR LOSS OF USER TIME OF THE AMERICAN SANDERS MACHINE OR ANY OTHER INCIDENTAL OR CONSEQUENTIAL DAMAGES. THIS INCLUDES, BUT NOT LIMITED TO INDIRECT, SPECIAL OR CONSEQUENTIAL DAMAGES ARISING OUT OF OR IN CONNECTION WITH THE FURNISHING, PERFORMANCE, USE OF OR INABILITY TO USE THE MACHINE. ANY EXTENSIONS OF OR MODIFICATIONS MADE TO THIS WARRANTY BY A DEALER/DISTRIBUTOR OF AMERICAN SANDERS ARE THE SOLE RESPONSIBILITY OF THE DEALER/DISTRIBUTOR.

***American Sanders reserves the right to change its warranty policy without notice.***

Copyright 2018 American Sanders

# Garantía limitada

EZ-8 Sander

## PARA CALIFICAR PARA ESTA GARANTÍA

- (1) El equipo debe registrarse dentro de los 30 días a partir de la fecha de compra en un formulario proporcionado por American Sanders. Su distribuidor American Sanders es responsable del registro de su equipo. Coopere con su distribuidor brindando la información necesaria en la tarjeta.
- (2) El equipo debe haberse comprado en American Sanders o con un distribuidor autorizado de American Sanders.
- (3) Esta garantía se extiende al comprador original solamente y no se puede transferir a otros propietarios.

## PERÍODOS DE TIEMPO

**GARANTÍA DE UN (1) AÑO:** Para el EZ-8 Sander.

Garantizado por estar libres de defectos en material y mano de obra por un período de un (1) año a partir de la fecha de compra por parte de los propietarios originales. (Consulte Exclusiones)

## EXCLUSIONES (No cubiertas por la garantía)

- (1) Artículos desgastables y piezas que fallan debido al desgaste normal por sus características (cables, tambores, bandas, ruedas, cojinetes, filtros, bolsas u otras piezas consumibles).
- (2) Esta garantía no se extiende a partes afectadas por mal uso, negligencia, abuso, accidentes, daños en tránsito, sobrecarga de la capacidad de la máquina, fallas debido a la falta de mantenimiento o cuidado apropiados como se describe en las instrucciones de operación y mantenimiento. Todas las partes defectuosas se deben devolver al distribuidor para recibir un crédito.
- (3) Los ajustes menores, como el ajuste de tornillos o pernos no conectados con el reemplazo de piezas, no están cubiertos.
- (4) Las reparaciones o modificaciones realizadas por una organización que no sea la fábrica o un Centro de Servicio Autorizado no están cubiertas y anularán cualquier garantía de American Sanders en cuanto a las piezas o sistemas reparados o modificados por una organización no autorizada.

## LA OBLIGACIÓN DE AMERICAN SANDERS

- (1) La obligación de American Sanders bajo esta garantía se limita a la reparación o reemplazo, a su elección, de cualquier parte que se compruebe tiene defectos de material o mano de obra durante el uso normal por el período aplicable antes mencionado.
- (2) El distribuidor de American Sanders realizará las reparaciones de garantía sin cargo por piezas y mano de obra. Ellos recibirán una compensación con una tarifa de mano de obra de garantía de \$45.00 por hora, por el primer año de propiedad.
- (3) Las partes reparadas o reemplazadas bajo esta garantía están cubiertas por la garantía solo durante el resto del período de la garantía original. Todas las partes defectuosas reemplazadas bajo estas garantías se convierten en propiedad de American Sanders.

## SERVICIOS DE GARANTÍA

Para obtener servicio de garantía, lleve su equipo y prueba de compra a cualquier distribuidor autorizado de American Sanders. American Sanders no reembolsará los gastos por las llamadas o viajes para el servicio. Para el Distribuidor en su área, llame al Departamento de Servicio al Cliente de American Sanders al 800-367-3550 o al 336-372-8080. Si no está satisfecho con el servicio que recibe, llame o escriba al Departamento de Servicio al Cliente de American Sanders para recibir más ayuda.

## INSTRUCCIONES Y CONDICIONES PARA EL REEMBOLSO DE GARANTÍA

- Pida la pieza de reemplazo: Los pedidos se procesarán y cobrarán, como un procedimiento normal.
- Llame a American Sanders para obtener el número de R/A.
- Necesitará el número de serie del equipo y el número de modelo del equipo.
- Las piezas se deben devolver, acompañadas con el número de R/A para ser elegible para el crédito por la garantía.
- Todas las piezas de garantía se deberán enviar prepagadas por servicio terrestre de UPS, cualquier otro método será a costa del beneficiario.
- El Comprador debe pagar el flete para cualquier pieza de la garantía después de 30 días.
- La tarifa de mano de obra de la garantía es de \$45.00 por hora.
- El crédito se emitirá al completar los pasos anteriores, en las tarifas anteriores.

El transporte de desechos peligrosos o equipos contaminados está sujeto a varias leyes y regulaciones. Al devolver equipo, piezas o accesorios según esta garantía limitada, el usuario final debe certificar por escrito que el equipo, piezas o accesorios que se devuelven no se han utilizado para la manipulación, limpieza o eliminación de residuos peligrosos o materiales peligrosos, incluyendo pero no limitado a cosas tales como asbestos, ántrax, etc. o si el equipo, piezas o accesorios que se devuelven han sido utilizados para la manipulación, limpieza o eliminación de residuos peligrosos o materiales peligrosos, entonces el usuario final debe tener el equipo, piezas o accesorios descontaminados por profesionales de la descontaminación autorizados y calificados y que proporcionen una certificación por escrito de esta descontaminación firmada por los profesionales de la descontaminación. Estos equipos, piezas o accesorios deben devolverse solo al Centro de Servicio American Sanders de la localidad para obtener el servicio de garantía junto con la certificación de descontaminación.

## DESCARGO DE RESPONSABILIDAD DE DAÑOS Y PERJUICIOS

NO HAY GARANTÍAS QUE SE EXTIENDAN MÁS ALLÁ DE LA DESCRIPCIÓN DE LAS GARANTÍAS LIMITADAS INDICADAS. NINGUNA OTRA GARANTÍA, EXPRESA O IMPLÍCITA, INCLUYENDO PERO NO LIMITADO A CUALQUIER GARANTÍA IMPLÍCITA DE COMERCIALIZACIÓN O IDONEIDAD PARA UN PROPÓSITO EN PARTICULAR, SE HACE EXCEPTO COMO SE INDICA EXPRESAMENTE AQUÍ. CUALQUIER GARANTÍA LEGAL IMPLÍCITA, INCLUIDA CUALQUIER GARANTÍA DE COMERCIABILIDAD O IDONEIDAD PARA UN PROPÓSITO EN PARTICULAR, QUE SEA IMPUESTA POR LA LEY A PESAR DE LA LIMITACIÓN EXPRESA O LAS GARANTÍAS ANTERIORES, ESTÁ EXPRESAMENTE LIMITADA A LA DURACIÓN DE LA GARANTÍA ESCRITA. EL COMPRADOR ENTIENDE, RECONOCE Y ACEPTA QUE LOS RECURSOS PROVISTOS BAJO ESTA GARANTÍA LIMITADA SON LOS ÚNICOS Y EXCLUSIVOS RECURSOS DISPONIBLES PARA EL COMPRADOR. AMERICAN SANDERS SE LIBERA DE TODA RESPONSABILIDAD POR LA PÉRDIDA DE TIEMPO DEL USUARIO DEL EQUIPO AMERICAN SANDERS O CUALQUIER OTRO DAÑO INCIDENTAL O CONSECUCIONAL. ESTO INCLUYE, PERO NO ESTÁ LIMITADO A DAÑOS INDIRECTOS, ESPECIALES O CONSECUCIONALES DERIVADOS DE O RELACIONADOS CON EL SUMINISTRO, EL FUNCIONAMIENTO, EL USO O LA INCAPACIDAD DE USAR EL EQUIPO. CUALQUIER EXTENSIÓN O MODIFICACIÓN HECHA A ESTA GARANTÍA POR UN CONCESIONARIO/DISTRIBUIDOR DE AMERICAN SANDERS SON RESPONSABILIDAD EXCLUSIVA DEL CONCESIONARIO/DISTRIBUIDOR.

**American Sanders se reserva el derecho de cambiar su política de garantía sin previo aviso.**

Copyright 2018 American Sanders

# Garantie limitée

## Ponceuse EZ-8

### POUR ÊTRE ADMISSIBLE À LA PRÉSENTE GARANTIE

- (1) L'appareil doit être inscrit dans les 30 jours suivant la date d'achat à l'aide de la fiche fournie par American Sanders. L'enregistrement de votre appareil s'effectue auprès de votre distributeur American Sanders. Veuillez lui fournir tous les renseignements exigés sur la fiche.
- (2) L'appareil doit avoir été acheté auprès d'American Sanders ou d'un distributeur American Sanders autorisé.
- (3) La présente garantie n'est offerte qu'à l'acheteur initial et n'est pas transférable aux propriétaires subséquents.

### PÉRIODES

GARANTIE D'UN (1) AN — Pour le modèle de ponceuse EZ-8.

Garanti contre tout défaut de matériaux et de main-d'œuvre pour une période d'un (1) an à compter de la date d'achat par le propriétaire initial. (Se reporter aux exclusions.)

### EXCLUSIONS (Non couvert par la garantie)

- (1) Les produits et pièces consommables qui font défaut par suite d'une usure normale en raison de leurs caractéristiques (cordons, tambours, courroies, roulettes, roulements, filtres, sacs ou autres pièces consommables).
- (2) Cette garantie ne couvre pas les pièces brisées par suite d'abus, de mésusage, de négligence, d'accidents, de bris lors du transport, d'une surcharge de la capacité de l'appareil, d'une défaillance due au manque d'entretien ou de soins adéquats tels qu'ils sont décrits dans les instructions d'utilisation et d'entretien. Vous devez retourner les pièces défectueuses au distributeur pour vous les faire créditer.
- (3) Les ajustements mineurs, tels que le serrage de vis ou de boulons sans lien avec le remplacement de pièces, ne sont pas couverts.
- (4) Les réparations ou modifications réalisées par toute organisation autre que l'usine ou un centre de service autorisé ne sont pas couvertes et annuleront la garantie American Sanders en ce qui concerne les pièces ou systèmes réparés ou modifiés par une organisation non autorisée.

### LES OBLIGATIONS D'AMERICAN SANDERS

- (1) Les obligations d'American Sanders en vertu de cette garantie se limitent à la réparation ou au remplacement, à sa discrétion, de toute pièce présentant un défaut avéré de matériaux ou de main-d'œuvre dans le cadre d'une utilisation normale pour la période applicable énoncée plus haut.
- (2) Les réparations sous garantie seront effectuées par votre distributeur American Sanders sans frais pour les pièces et la main-d'œuvre. Ce dernier sera rémunéré au taux de main-d'œuvre de 45,00 \$/h pour la première année de possession.
- (3) Les pièces réparées ou remplacées en vertu de cette garantie ne sont garanties que pendant le restant de la période originale de garantie. Toutes les pièces défectueuses remplacées en vertu de ces garanties deviennent la propriété d'American Sanders.

### SERVICE SOUS GARANTIE

Pour obtenir du service sous garantie, apportez votre appareil et une preuve d'achat chez un distributeur American Sanders autorisé. American Sanders ne remboursera pas de frais engagés en lien avec des appels de service ou des déplacements. Pour connaître le distributeur de votre région, communiquez avec le service à la clientèle d'American Sanders au 800 367-3550 ou au 336 372-8080. Si vous n'êtes pas satisfait du service reçu, communiquez avec le service à la clientèle d'American Sanders pour obtenir de l'aide.

### INSTRUCTIONS ET CONDITIONS POUR L'OBTENTION D'UN REMBOURSEMENT SOUS GARANTIE

- Commande de pièce de rechange : Les commandes sont traitées et facturées comme toute procédure normale.
- Communiquez avec American Sanders pour obtenir un numéro d'autorisation de renvoi.
- Il vous faudra le numéro de série et le numéro de modèle de l'appareil.
- Vous devez joindre le numéro d'autorisation de renvoi aux pièces renvoyées pour être admissible au crédit en vertu de la garantie.
- Toutes les pièces sous garantie sont expédiées UPS Ground prépayé; tout autre moyen d'expédition est au frais du destinataire.
- Le transport de toute pièce sous garantie après 30 jours doit être payé par l'acheteur.
- Le taux de main-d'œuvre sous garantie est de 45,00 \$/h.
- Le crédit est émis une fois toutes les étapes précédentes terminées, aux tarifs précités.

Le transport de déchets dangereux ou d'équipements contaminés est assujéti à différentes lois et réglementations. Au moment de retourner des appareils, des pièces ou des accessoires en vertu de cette garantie limitée, l'utilisateur final doit attester par écrit que les appareils, pièces ou accessoires retournés n'ont pas été utilisés pour la manipulation, le nettoyage ou l'élimination de déchets dangereux ou de matières dangereuses, y compris, mais sans s'y limiter, amiante, anthrax, etc. ou, si les appareils, pièces ou accessoires retournés ont été utilisés pour la manipulation, le nettoyage ou l'élimination de déchets dangereux ou de matières dangereuses, alors l'utilisateur final doit faire décontaminer les appareils, pièces ou accessoires par un professionnel de la décontamination qualifié et agréé et fournir une attestation écrite de cette décontamination signée par le professionnel de la décontamination. Ces appareils, pièces ou accessoires ne doivent être retournés qu'au centre de service American Sanders local pour un service sous garantie et être accompagnés de l'attestation de décontamination.

### CLAUSE DE NON-RESPONSABILITÉ

AUCUNE GARANTIE N'EST CONSENTIE AU-DELÀ DE LA DESCRIPTION DES PRÉSENTES GARANTIES LIMITÉES. AUCUNE AUTRE GARANTIE, EXPRESSE OU IMPLICITE, Y COMPRIS, MAIS SANS S'Y LIMITER, TOUTE GARANTIE IMPLICITE DE QUALITÉ MARCHANDE OU D'ADAPTATION À UN EMPLOI PARTICULIER, N'EST FAITE HORMIS CELLES INDIQUÉES AUX PRÉSENTES. TOUTE GARANTIE LÉGALE IMPLICITE, Y COMPRIS TOUTE GARANTIE DE QUALITÉ MARCHANDE OU D'ADAPTATION À UN EMPLOI PARTICULIER, QUI EST IMPOSÉE PAR LA LOI MALGRÉ LES LIMITES OU GARANTIES EXPRESSES PRÉCÉDENTES, EST EXPRESSÉMENT LIMITÉE À LA DURÉE DE LA GARANTIE ÉCRITE. L'ACHETEUR COMPREND, RECONNAÎT ET CONVIENT QUE LE RECOURS PRÉVU EN VERTU DE CETTE GARANTIE LIMITÉE CONSTITUE LE SEUL ET UNIQUE RECOURS À SA DISPOSITION. AMERICAN SANDERS SE DÉGAGE DE TOUTE RESPONSABILITÉ À L'ÉGARD DU TEMPS D'UTILISATION DE L'APPAREIL AMERICAN SANDERS PERDU ET DE TOUT AUTRE DOMMAGE ACCESSOIRE OU CONSÉCUTIF. CELA COMPREND, MAIS SANS S'Y LIMITER, LES DOMMAGES INDIRECTS, PARTICULIERS OU CONSÉCUTIFS DÉCOULANT DIRECTEMENT OU INDIRECTEMENT DE LA PRESTATION, DE LA PERFORMANCE, DE L'UTILISATION DE L'APPAREIL OU DE L'IMPOSSIBILITÉ DE L'UTILISER. TOUTE PROLONGATION OU MODIFICATION DE CETTE GARANTIE EFFECTUÉE PAR UN CONCESSIONNAIRE OU UN DISTRIBUTEUR D'AMERICAN SANDERS RELÈVE ENTIÈREMENT DU CONCESSIONNAIRE OU DU DISTRIBUTEUR.

**American Sanders se réserve le droit de changer sa politique de garantie sans préavis.**

Copyright 2018 American Sanders



## EC DECLARATION OF CONFORMITY

according to  
EC Machinery Directive 2006/42/EC

We, Amano Pioneer Eclipse Corp. (1 Eclipse Road, PO Box 909, Sparta NC28675, USA) with authorized EU representative (see info under section importer) declare under our sole responsibility that the following described equipment in our delivered version complies with the appropriate basic safety and health requirements of the above- mentioned Directives based on its design and type, as brought into circulation by us. In case of alteration of the machine, not agreed upon by us, this declaration will lose its validity.

Applicable EC Directives:

- **Electromagnetic Compatibility Directive 2014/30/EU** of 26 February 2014
- **Low Voltage Directive 2014/35/EU** of 26 February 2014
- **Machinery Directive 2006/42/EC + Amending Directive 95/16/EC** of 17 May 2006
- **Restriction of the use of certain hazardous substances in electrical and electronic equipment Directive 2011/65/EU** of 8 June 2011

Applicable Harmonized Standards: EN 60335-1:2010 + Corr.1:2010 + Corr.2:2011 + A1:2013 + Corr.1:2014  
EN 60335-2-72:2012, EN 62233:2008, EN 55014-1:2006 + A1:2009 + A2:2011  
EN 55014-2:1997 + A1:2001 + A2:2008, EN 61000-3-2:2014  
EN 61000-3-3:2013, EN 50581:2012,

Type of Equipment: Commercial Wood Floor Sander

Model Number(s): 07084A

Description(s): EZ-8 230V / 50Hz

Serial Number: 054969

Year in which CE marking was affixed: 2019

Place: Sparta

Date: \_\_\_\_\_

Signature: \_\_\_\_\_

Name: \_\_\_\_\_

Position: \_\_\_\_\_


Importer's Name: \_\_\_\_\_

Date: \_\_\_\_\_

Importer's Address: \_\_\_\_\_

Name and Signature: \_\_\_\_\_

## 07084A Serial Tag

 Sparta, NC 28675 USA	Model:	<b>EZ-8 Sander</b>		
	Part No:	<b>07084A</b>		
	Serial No:	<b>S??????</b>		
	Volts:	<b>230V</b>	Freq:	<b>50Hz</b>
	Watts:	<b>1200</b>	Amps:	<b>6</b>
	???		<b>1500 RPM</b>	



**American Sanders**  
an AMANO Company

1 Eclipse Rd • PO Box 909  
Sparta, North Carolina 28675 • USA  
[www.pioneereclipse.com](http://www.pioneereclipse.com)  
[www.americansanders.com](http://www.americansanders.com)

+1-336-372-8080  
1-800-367-3550  
Fax 1-336-372-2913