



Rotary Sander
RS-16
RS-16 DC
Operator's Manual



READ THIS BOOK

This book has important information for the use and safe operation of this machine. Failure to read this book prior to operating or attempting any service or maintenance procedure to your American Sanders machine could result in injury to you or to other personnel; damage to the machine or to other property could occur as well. You must have training in the operation of this machine before using it. If your operator(s) cannot read this manual, have it explained fully before attempting to operate this machine.

All directions given in this book are as seen from the operator's position at the rear of the machine.

EN

Contents

Operator Safety Instructions.....	2-5
Introduction.....	6
Machine Specifications.....	6
Electrical Connection Instructions	7-8
Operating Instructions	9
Troubleshooting.....	9
Begin Spanish Translation.....	11-18
Begin French Translation.....	20-27
Main Assembly	30-31
Hand Assembly.....	32-33
Motor Assembly.....	34
Gearbox Assembly	35
Wiring Diagram.....	36
07226A Serial Tag	38
EC Declaration of Conformity.....	39
Warranty.....	40

WARNING!

The Products sold with this Manual contain or may contain chemicals that are known to certain governments (such as the State of California, as identified in its Proposition 65 Regulatory Warning Law) to cause cancer, birth defects or other reproductive harm. In certain locations (including the State of California) purchasers of these Products that place them in service at an employment job site or a publicly accessible space are required by regulation to make certain notices, warnings or disclosures regarding the chemicals that are or may be contained in the Products at or about such work sites. It is the purchaser's responsibility to know the content of, and to comply with, any laws and regulations relating to the use of these Products in such environments. The Manufacturer disclaims any responsibility to advise purchasers of any specific requirements that may be applicable to the use of the Products in such environments.

*****This product is intended for commercial use only*****















Operator Safety Instructions

In this Operation Manual you will find three statements that you must read and observe to ensure safe operation of this machine.

DANGER means: Severe bodily injury or death can occur to you or other personnel if the **DANGER** statements found on this machine or in this Operation Manual are ignored or are not adhered to. Read and observe all **DANGER** statements found in this Operation Manual and on your machine.

WARNING means: Injury can occur to you or to other personnel if the **WARNING** statements found on your machine or in the Operation Manual are ignored or are not adhered to. Read and observe all **WARNING** statements found in this Operation Manual and on your machine.

CAUTION means: Damage can occur to the machine or to other property if the **CAUTION** statements found on your machine or in this Operation Manual are ignored or are not adhered to. Read and observe all **CAUTION** statements found in this Operation Manual and on your machine.

-  **DANGER:** Failure to read the Owner's Manual prior to operating or servicing your American Sanders machine could result in injury to you or to other personnel; damage to the machine or to other property could occur as well. You must have training in the operation of this machine before using it. If you or your operator(s) cannot read English, have this manual explained fully before attempting to operate this machine.
-   **DANGER:**
-  A. Sanding/finishing wood floors can create an explosive or combustible environment. Do not operate this machine around solvents, thinners, alcohol, fuels, floor finishes, wood dust or any other flammable materials. Cigarette lighters, pilot lights, electrical sparks and all other sources of ignition should be extinguished or avoided. Keep work area well ventilated.
- B. Dust generated from sanding wood floors can spontaneously ignite or explode. Promptly dispose of any sanding dust in a metal container clear of any combustibles. Do not dispose in a fire.
-  **DANGER:**
-  A. Electrocutation could occur if the machine is being serviced while the machine is connected to a power source. Disconnect the power supply before servicing.
- B. Electrocutation or fire could occur if the machine is being operated with a damaged power cord. Keep the power cord clear of the pad. Always lift the cord over the machine. Do not move the machine by the power cord.
- C. Shock hazard. Do not use the machine if it has been rained on or sprayed with water.
-  **DANGER:**
-  To avoid injury keep hands, feet, and loose clothing away from all moving parts on the machine. Disconnect the power cord before replacing the pad, changing the abrasive, or when servicing. Do not operate the machine unless all guards are in place. Never leave the machine unattended while connected to a power source.
-  **WARNING:** Injury can occur if protective clothing or equipment is not used while sanding. Always wear safety goggles, protective clothing, and dust mask while sanding.
- 
-  **WARNING:** This sander is not to be used on pressure treated wood. Some pressure treated woods contain arsenic and sanding pressure treated wood produces hazardous dust. Inhaling hazardous dust from pressure treated wood can cause serious injury or death. Sanding pressure treated wood decks or uneven surfaces can damage the sander which is not covered under warranty or damage waiver.
- 
-  **WARNING:** Any alterations or modifications of this machine could result in damage to the machine or injury to the operator or other bystanders. Alterations or modifications not authorized by the manufacturer voids any and all warranties and liabilities.
-  **WARNING:** Risk of explosion. Floor sanding can result in an explosive mixture of fine dust and air. Use floor sanding machine only in a well-ventilated area free from any flame or match.

General Power Tool Safety Warnings

WARNING: Read all safety warnings and instructions. Failure to follow warnings and instructions may result in electric shock, fire and or serious injury.

Save all warnings and instructions for future use.

The term "power tool" in the warnings refers to your main-operated (corded) power tool or battery operated (cordless) power tool.

1) Work area safety

- Keep work area clean and well lit.** Clutter or dark areas invite accidents.
- Do not operate power tools in explosive atmospheres, such as in the presence of flammable liquids, gasses, or dust.** Power tools create sparks which may ignite the dust or fumes.
- Keep children and bystanders away while operating a power tool.** Distractions can cause you to lose control.

2) Electrical safety

- Power tool plugs must match the outlet. Never modify the plug in any way. Do not use any adapter plugs with earthed (grounded) power tools.** Unmodified plugs and matching outlets will reduce risk of electric shock.
- Avoid body contact with earthed or grounded surfaces such as pipes, radiators, ranges, and refrigerators.** There is an increased risk of electric shock if your body is earthed or grounded.
- Do not expose power tools to rain or wet conditions.** Water entering a power tool will increase the risk of electric shock.
- Do not abuse the cord. Never use the cord for carrying, pulling or unplugging the power tool. Keep cord away from heat, oil, sharp edges or moving parts.** Damaged or entangled cords increase the risk of electric shock.
- When operating a power tool outdoors, use an extension cord suitable for outdoor use.** Use of cord suitable for outdoor use reduces the risk of electric shock.

- f) **If operating a power tool in a damp location is unavoidable, use a residual current device (RCD) or ground fault circuit interrupter (GFCI) protected supply.** Use of a RCD or GFCI reduces the risk of electric shock.

3) Personal safety

- a) **Stay alert, watch what you are doing and use common sense when operating a power tool. Do not use a power tool while you are tired or under the influence of drugs, alcohol, or medication.** A moment of inattention while operating power tools may result in serious personal injury.
- b) **Use personal protective equipment. Always wear eye protection.** Protective equipment such as dust mask, non-skid safety shoes, hard hat, or hearing protection used for appropriate conditions will reduce personal injury.
- c) **Prevent unintentional starting. Ensure switch is in off-position before connecting to power source and/or battery pack, picking up, or carrying the tool.** Carrying power tools with your finger on the switch or energizing power tools that have the switch on invites accidents.
- d) **Remove any adjustment wrench or key before turning the power tool on.** A wrench or key left attached to a rotating part of the power tool may result in personal injury.
- e) **Do not overreach. Keep proper footing and balance at all times.** This enables better control of the power tool in unexpected situations.
- f) **Dress properly. Do not wear loose clothing or jewelry. Keep your hair, clothing and gloves away from moving parts.** Loose clothes, jewelry, or long hair can be caught in moving parts.
- g) **If devices are provided for the connection of dust extraction and collection facilities, ensure these are connected and properly used.** Use of dust collection can reduce dust related hazards. It is recommendation that the tool always be supplied via a residual current device with a rated residual current of 30mA or less.

4) Power tool use and care

- a) **Do not force the power tool. Use the correct power tool for your application.** The correct power tool will do the job better and safer at the rate for which it was designed.
- b) **Do not use the power tool if the switch does not turn it on and off.** Any power tool that cannot be controlled with the switch is dangerous and must be repaired.
- c) **Disconnect the plug from the power source and/or the battery pack from the power tool before making any adjustments, changing accessories or storing power tools.** Such preventative safety measures reduce the risk of starting the power tool accidentally.
- d) **Store idle power tools out of the reach of children and do not allow persons unfamiliar with the power tool or these instructions to operate the power tool.** Power tools are dangerous in the hands of untrained users.
- e) **Maintain power tools. Check for misalignment or binding of moving parts, breakage of parts and any other condition that may affect the power tool's operation. If damaged, have the power tool repaired before use.** Many accidents are caused by poorly maintained power tools.
- f) **Keep cutting tools sharp and clean.** Properly maintained cutting tools with sharp cutting edges are less likely to bind and are easier to control.
- g) **Use the power tool, accessories and tool bits ect. in accordance with these instructions, taking into account the working conditions and the work to be performed.** Use of the power tool for operations different from those intended could result in a hazardous situation.

5) Service

- a) **Have the power tool serviced by a qualified repair person using only identical replacement parts.** This will ensure that the safety of the power tool is maintained. If the supply cord is damaged, it must be replaced by the manufacturer, its service agent or similarly qualified persons in order to avoid a hazard.

Safety Warnings For Sanding Operations

1. This power tool is intended to function as a sander. Read all safety warnings, instructions and specifications provided with this power tool. Failure to follow all instructions listed below may result in electric shock, fire, or personal injury.
2. Operations such as grinding, wire brushing, polishing or cutting-off, are not recommended to be performed with this power tool. Operations for which the tool was not designed may create a hazard and cause personal injury.
3. Do not use accessories which are not specifically designed and recommended by the tool manufacturer. Just because the accessory can be attached to your power tool, it does not assure safe operation.
4. The rated speed of the accessory must be at least equal to the maximum speed marked on the power tool. Accessories running faster than their rated speed can break and fly apart.
5. The outside diameter and thickness of your accessory must be within the capacity rating of your power tool. Incorrectly sized accessories cannot be adequately guard or controlled.
6. The arbor size of wheels, flanges, backing pads or any other accessory must fit the spindle of the power tool. Accessories with arbor holes that do not match the mounting hardware of the power tool will run out of balance, vibrate excessively and may cause loss of control.
7. Do not use damaged accessory. Before each use inspect the accessory such as abrasive wheel for chips or cracks, backing pad for cracks, tear or excess wear, wire brush for loose or cracked wires. If power tool or accessory is dropped, inspect for damage or install an undamaged accessory. After inspecting or installing an accessory, position yourself or bystanders away from the plane of the rotating accessory and run the power tool at maximum no-load speed for one minute. Damaged accessories will normally break apart during this time.

8. Wear personal protective equipment. Depending on application, use face shield, safety goggles or safety glasses. As appropriate, wear dust mask, hearing protectors, gloves and workshop apron capable of stopping flying debris generated by various operations. The eye protection must be capable of stopping flying debris generated by various operations. The dust mask or respirator must be capable of filtering particles generated by your operations. Prolonged exposure to high intensity noise may cause hearing loss.
9. Keep bystanders a safe distance away from work area. Anyone entering the work area must wear personal protective equipment. Fragments of work piece or a broken accessory may fly away and cause injury beyond immediate area of operation.
10. Hold power tool by gripping insulated surfaces (handle) only, when performing an operation where the cutting accessory may contact hidden wiring or its own cord. Cutting accessory contacting a "live" wire may make exposed metal parts of the power tool "live" and shock the operator.
11. Position the cord clear of the spinning accessory. If you lose control, the cord may be cut or snagged and your arm or hand may be pulled into the spinning accessory.
12. Never lay the power tool down until the accessory has come to a complete stop. The spinning accessory may grab the surface and pull the power tool out of your control.
13. Do not run the power tool while carrying it at your side. Accidental contact with the spinning accessory could snag your clothing, pulling the accessory into your body.
14. Regularly clean the power tools air vents. The motor's fan will draw the dust inside the housing and excessive accumulation may cause electrical hazards.
15. Do not operate the power tool near flammable materials. Sparks could ignite these materials.
16. Do not use excessively oversized sanding disc paper. Follow manufacturer's recommendations when selecting sanding paper. Larger sanding paper extending beyond the sanding pad presents a laceration hazard and may cause snagging, tearing of the disc or kickback.
17. Risk of explosion. Floor sanding can result in an explosive mixture of fine dust and air. Use floor sanding machine only in a well-ventilated area free from any flame or match.

Kickback and Related Warnings

Kickback is a sudden reaction to a pinched or snagged rotating wheel, backing pad, brush or any other accessory. Pinching or snagging causes rapid stalling of the rotating backing pad which in turn causes uncontrolled power tool to be forced in the opposite direction of the backing pad's rotation at the point of the binding.

For example, if an abrasive wheel is snagged or pinched by the work piece, the edge of the wheel that is entering into the pinch point can dig into the surface of the material causing the wheel to climb out or kick out. The wheel may either jump toward or away from the operator, depending on direction of the wheel's movement at the point of pinching. Abrasive wheels may also break under these conditions.

Kickback is the result of power tool misuse and incorrect operating procedures or conditions and can be avoided by taking proper precautions as given below.

1. Maintain a firm grip on the power tool and position your body and arms to allow you to resist kickback forces. Always use auxiliary handles, if provided for maximum control over kickback or torque reactions during start up. The operator can control torque reactions or kickback forces, if proper precautions are taken.
2. Never place your hand near the rotating accessory. Accessory may kickback over your hand.
3. Do not position your body in the area where power tool will move if kickback occurs. Kickback will propel the tool in the direction opposite to the wheel's movement at the point of the snagging.
4. Use special care when working corners, sharp edges etc. Avoid bouncing and snagging the accessory. Corners, sharp edges or bouncing have a tendency to snag the rotating accessory and cause loss of control or kickback.

Additional Rules For Safe Operation

1. Empty the dust bag or dust collection receiver frequently. Do not leave residue in dust bag or dust collection receiver unattended. Always empty in a non-combustible metal container. Sanding wood or varnish produces dust that can self ignite and cause injury or damage. Follow this precaution for storage.
2. Set all exposed nails. Sweep loose abrasive away from work area. Do not strike metal pipes, ect., with sanding paper. Striking metal or abrasive particles with sanding paper produces sparks that could ignite the sanding dust which can cause injury or damage.
3. Do not operate a partially assembled power tool. Keep all adjustments within manufacturer's specifications. Keep all fasteners tight. Operating a partially assembled power tool could result in injury to the operator or bystander and could cause damage to the equipment or surroundings.
4. Do not attempt to change the sanding paper while the power tool is running. The sanding pad can snag clothing and cause injury to limbs and moving sanding paper can cause abrasions.
5. The power tool should only be used on an electrical system (mains) that is rated for the electrical requirements of the power tool as shown on the nameplate. Use only on an earthing (grounded) system. Do not service the power tool if it is energized or connected to an electrical circuit. Improper use could cause fire or electric shock.

Introduction

UNCRATE THE MACHINE

When the machine is delivered, carefully inspect the shipping carton and the machine for damage. If damage is evident, save the shipping carton so that it can be inspected. Contact the American Customer Service Department.

KNOW YOUR MACHINE

- 1 Operator Handle Grips
- 2 Switch Lever Safety Lock Button
- 3 Switch Levers - Squeeze - ON / Release - OFF
- 4 Handle Release Compression Lever
- 5 Power Cord
- 6 Operator Handle
- 7 Cord Hook
- 8 Skirt (RS-16 DC)

⚠ WARNING: This machine contains moving parts. To reduce the risk of injury, always unplug the power cord before servicing.

INSTALLING THE PAD DRIVER

1. Align the lugs with the corresponding slots in the pad driver and turn the pad driver counterclockwise to lock it in place (figure 2). To remove pad driver, give it a quick hard turn clockwise.

⚠ CAUTION! Using the wrong pad on this machine can overload the motor.

2. Install skirt (RS-16 DC) as shown in figure 1, item 8; stiffening the strip down.

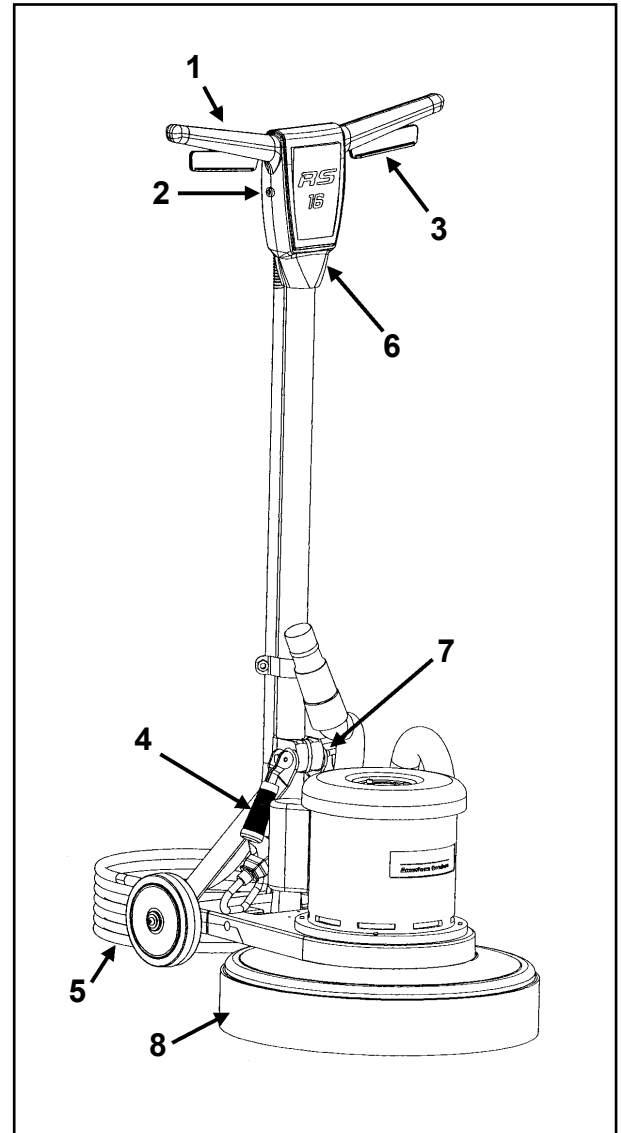


Figure 1

MACHINE SPECIFICATIONS

Model	RS-16	RS-16DC	RS-16DC
Part Number	07161A	07162A	56381748
Voltage (Volts)	120	120	230
Frequency (Hz)	60	60	50
Current (Amps)	15	15	8.3
Pad /Brush Speed	175 rpm	175 rpm	145 rpm
Power	1.5 hp (1.1 kW)	1.5 hp (1.1 kW)	1.1 kW
Gearbox	3-Planet	3-Planet	3-Planet
Pad Driver Size	16" (41 cm)	16" (41 cm)	16" (41 cm)
Cord Length	50' (15 m)	50' (15 m)	50' (15 m)
Height w/handle	46" (117 cm)	46" (117 cm)	46" (117 cm)
Weight w/cord	91 lbs. (41.1 kg)	91 lbs. (41.1 kg)	91 lbs. (41.1 kg)
Handle Tube	Tubular Steel	Tubular Steel	Tubular Steel
Main Frame	Die Cast Alum.	Die Cast Alum.	Die Cast Alum.

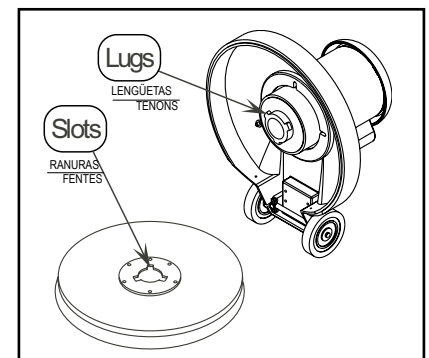


Figure 2

Electrical Connection Instructions

Extension Cords (120V)

Use only an approved extension cord with three conductors, a plug with three terminals, and a connector body with three holes.

- WARNING:** If you use an extension cord, use an extension cord with minimum wire size 12 AWG. Do not use an extension cord longer than 50 feet. Do not join two extension cords.

Extension Cords (230V)

Use only an approved extension cord with two main conductors and one earthing conductor.

- WARNING:** If you use an extension cord, use an extension cord with minimum wire size 1.50 mm². Do not use an extension cord longer than 15 meters. Do not join two extension cords.
- WARNING:** Do not cut, remove, or break the ground terminal. Do not try to fit a three-terminal plug into a receptacle or connector body that does not fit the plug. If the receptacle or connector body does not fit the plug, see your Authorized person to make the connection.

Electrical Connection Instructions (120V)

Instructions for connection to the power supply and the electrical ground.

This product must be grounded. If it should malfunction or breakdown, grounding provides a path of least resistance for electric current to reduce the risk of electrical shock. This product is equipped with a cord having an equipment-grounding conductor and grounding plug. The plug must be inserted into an appropriate outlet that is properly installed and grounded in accordance with all local codes and ordinances.

- WARNING:** Improper connection of the equipment-grounding conductor can result in a risk of electric shock. Check with qualified electrician or service person if you are in doubt as to whether the outlet is properly grounded. Do not modify the plug provided with the product – if it will not fit the outlet, have a proper outlet installed by a qualified electrician.

This product is for use on a nominal 120 volt circuit and has a grounding attachment plug that looks like the plug illustrated in figure 3. Make sure that the product is connected to an outlet having the same configuration as the plug. No adapter should be used with this product. Always connect the machine to a dedicated 20 amp electrical line to prevent nuisance breaker tripping and line overload due to other devices.

- WARNING:** To prevent possible electric shock, protect the machine from rain. Keep the machine in a dry building.
- WARNING:** To prevent possible electric shock, always use a 3-wire electrical system connected to the electrical ground. For maximum protection against electrical shock, use a circuit that is protected by a ground fault circuit interrupter. Consult your electrical contractor.
- WARNING:** Do not cut, remove or break the ground pin. If the outlet does not fit the plug, consult your electrical contractor.
- WARNING:** Have worn, cut or damaged cords replaced by an authorized service person.

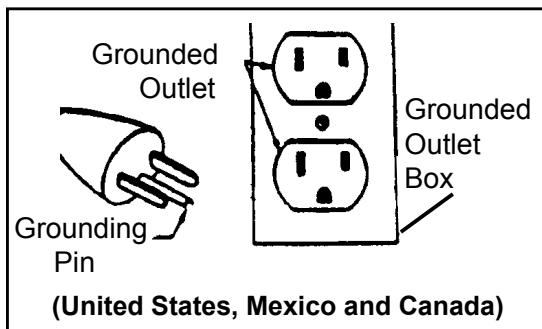


Figure 3

Electrical Connection Instructions (230V)

CAUTION: This machine will operate only on the AC frequency and electrical voltage shown on the nameplate. Make sure you have the correct frequency and voltage before connecting the power cord to an outlet.

This machine must be connected to the electrical ground to protect the operator from electric shock. The machine has a power cord with two main conductors and one earthing conductor. Connect the plug to the type of receptacle shown in figure 5. The green and yellow conductor cord is the ground wire. Never connect this wire to any terminal other than the ground terminal.

WARNING: Always use this machine with an AC three-conductor electrical system connected to the electrical ground. Replace any worn, cut, or damaged cords. Replace any damaged plugs, receptacles, or connector bodies. Do not move the machine over an electrical cord. Always lift the cord over the machine.

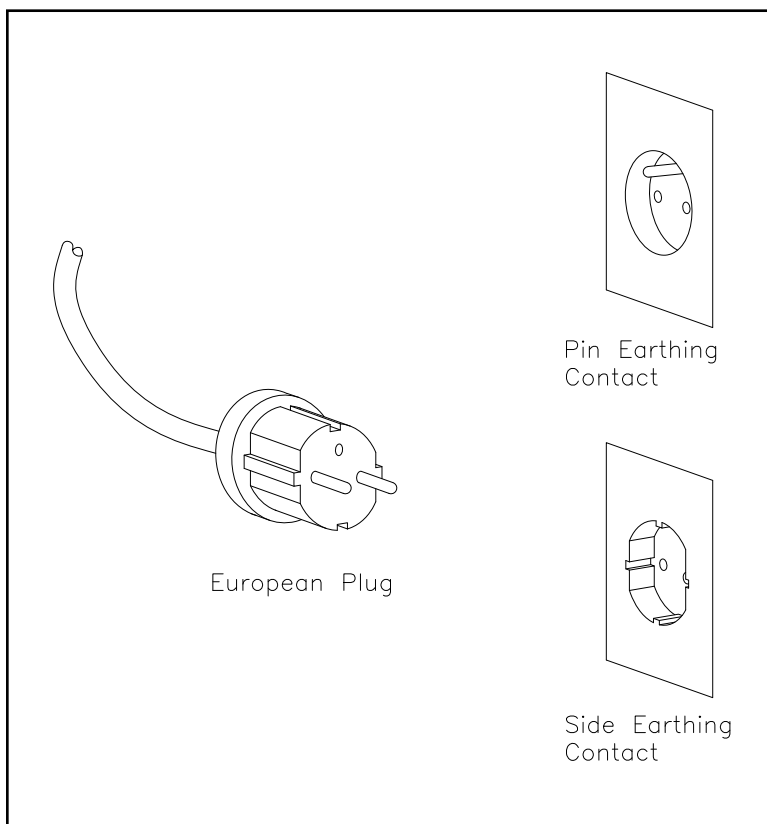


Figure 5

Operating Instructions

OPERATION (Figure 4)

- 1 Unwrap the Power Cord (5) and plug it into a properly grounded outlet.
- 2 Pull up on the Handle Release Compression Lever (4). Move the Operator Handle (6) downward until your arms are almost straight. Push down on the Handle Release Compression Lever (4) to lock it in place.
- 3 Lift up on the Operator Handle (6) until the brush (or pad) is flat against the floor.



WARNING:

Be prepared to control the machine as soon as the motor starts. Just a slight up or down movement of the Handle will make the machine move from side to side. Raise the Handle to go right. Lower the Handle to go left.



CAUTION!

Immediately start moving the machine back and forth. Keep the machine moving while the motor is running to avoid damage to the floor.

- 4 Hold one of the Operator Hand Grips (1) firmly, push the Safety Lock Button (2) and then compress the Switch Levers (3) to start the motor. NOTE: When the Switch Levers (3) are released, the machine shuts off immediately.

AFTER USE (Figure 4)

- 1 Place the Operator Handle (6) in the upright position and unplug the Power Cord (5). Wrap the Power Cord (5) around the Operator Handle Grips (1) and the Cord Hook (7).
- 2 Remove the pad driver from the machine. Never store the machine with the pad driver on the machine.
- 3 Wipe the entire machine with a clean, damp cloth.
- 4 Inspect the entire machine and all accessories for damage. Perform any required maintenance or repairs before storage.
- 5 Store the machine in a clean, dry place with the Operator Handle (6) locked in the upright position.

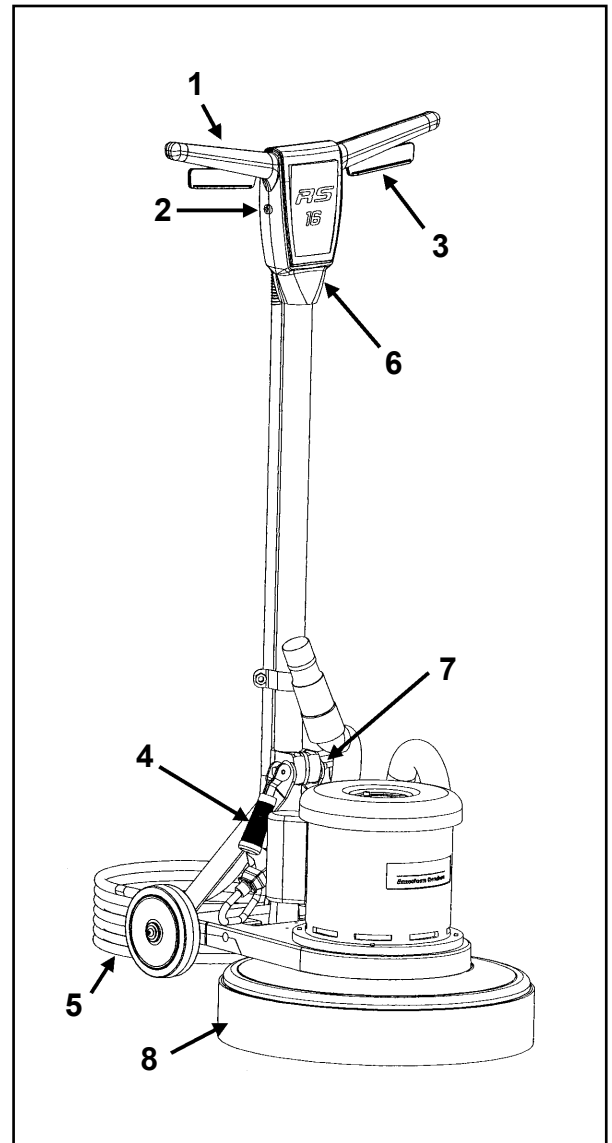


Figure 4

Troubleshooting

<p>MACHINE WOBBLING DURING OPERATION</p>	<p>Defective pad... one side is more dense than the other.</p> <p>Machine left sitting on pad for extended period of time causing pad to "take a set".</p> <p>Pad not "seated" properly into pad holder bristles.</p> <p>Warped block on brush or padholder - replace.</p>
<p>MACHINE DOES NOT RUN</p>	<p>Check plug for proper connection - on machine and at wall outlet.</p> <p>Check building circuit breaker.</p> <p>Call for service.</p>

LEA ESTE MANUAL

Este manual contiene información importante acerca del uso y la seguridad de la máquina. Si no lee el manual antes de utilizar su máquina American Sanders o de intentar realizar los procedimientos de reparación o mantenimiento de la misma, usted o el resto del personal podrían sufrir lesiones; asimismo, podrían producirse daños a la máquina o a otras propiedades. Antes de utilizar la máquina, es necesario recibir la capacitación adecuada en la operación de la misma. Si el operador de la máquina no sabe leer en español, explíquelo el manual exhaustivamente antes de que intente utilizarla.

Todas las indicaciones incluidas en este manual se ofrecen desde la posición del operador en la parte posterior de la máquina.

Contents

Instrucciones de seguridad para el operador	12
Introducción	4
Instrucciones de conexión eléctrica.....	15-16
Funcionamiento de la maquina	17
detcción de problemas.	18



ADVERTENCIA!

Los Productos a la venta en este Manual contienen, o pueden contener, productos químicos reconocidos por algunos gobiernos (como el Estado de California, según lo indica en su Proposición 65, Ley de Advertencia Regulatoria) como causantes de cáncer, defectos de nacimiento u otros daños reproductivos. En algunas jurisdicciones (incluido el Estado de California), los compradores de estos Productos que los coloquen en servicio en un emplazamiento laboral o en un espacio de acceso público tienen la obligación regulatoria de realizar determinados avisos, advertencias o divulgaciones respecto de los productos químicos contenidos o posiblemente contenidos en los Productos utilizados en tal lugar. Es la responsabilidad del comprador conocer y cumplir con todas las leyes y reglamentaciones relacionadas con el uso de estos Productos en tales entornos. El Fabricante niega toda responsabilidad de informar a los compradores sobre requisitos específicos que pueden regir el uso de los Productos en tales entornos.

Instrucciones De Seguridad Para El Operador

PELIGRO significa:



Usted u otras personas pueden estar expuestos a sufrir lesiones personales, inclusive la muerte si las indicaciones de **PELIGRO** que se encuentran en esta máquina o en el manual de instrucciones se ignoran o no se tienen en cuenta. Lea y respete todas las indicaciones de **PELIGRO** que se encuentran en el manual de instrucciones y en la máquina.

ADVERTENCIA significa:



Usted u otras personas pueden estar expuestos a sufrir lesiones personales, si las indicaciones de **ADVERTENCIA** que se encuentran en esta máquina o en el manual de instrucciones se ignoran o no se tienen en cuenta. Lea y respete todas las indicaciones de **ADVERTENCIA** que se encuentran en el manual de instrucciones y en su máquina.

PRECAUCIÓN significa:



La máquina u otros bienes pueden sufrir daños materiales si las indicaciones de **PRECAUCIÓN** que se encuentran en la máquina o en el manual de instrucciones se ignoran o no se tienen en cuenta. Lea y respete todas las indicaciones de **PRECAUCIÓN** que se encuentran en el manual de instrucciones y en la máquina.



PELIGRO:

En caso de que no se lea el manual de instrucciones antes de operar este equipo de lijado o realizar el mantenimiento del mismo podría resultar en que el operador u otras personas en el área sufriesen lesiones personales y el equipo podría sufrir daños materiales. Lea y respete todas las indicaciones de seguridad que se encuentran en este manual y en el equipo de lijado. Asegúrese que todas las etiquetas, calcomanías, advertencias, precauciones e instrucciones estén adheridas a la máquina. Reemplace cualquier indicación que esté dañada o falte. Antes de utilizar el equipo, es necesario recibir la capacitación adecuada en la operación del mismo. **Si el operador no puede leer este manual, explíquese exhaustivamente antes que intente utilizar este equipo.**



PELIGRO:

El lijado/acabado de pisos de madera puede crear un entorno que puede ser explosivo. Se deberán tener en cuenta los siguientes procedimientos de seguridad:

- Los encendedores, las lámparas indicadoras y cualquier otra fuente de ignición pueden provocar una explosión si se activan durante una sesión de lijado. Si es posible, apague o retire por completo todas las fuentes de ignición del área de trabajo.
- Las áreas de trabajo que estén muy poco ventiladas pueden crear un entorno explosivo cuando se encuentran determinados materiales combustibles en la atmósfera: por ejemplo, solventes, diluyentes, alcoholes, combustibles, ciertos acabados, polvo de madera y otros materiales combustibles. El equipo de lijado de pisos puede provocar la combustión de los materiales y vapores inflamables. Lea la etiqueta del fabricante sobre todas las sustancias químicas utilizadas para determinar su combustibilidad. Mantenga el área de trabajo bien ventilada.
- Pueden producirse una combustión espontánea o una explosión cuando se trabaja con polvo de lijado. El polvo de lijado puede auto-encenderse, provocando lesiones personales y daños materiales. Deshágase del polvo de lijado de una manera adecuada. Vacíe siempre el polvo de lijado dentro de un recipiente de metal que esté localizado fuera del edificio.
- Extraiga el contenido de la bolsa de polvo cuando la misma esté llena a 1/3. Extraiga el contenido de la bolsa de polvo cada vez que termine de usar el equipo. Nunca deje la bolsa sin vigilancia cuando haya polvo de lijado en la misma.
- No vacíe el contenido de la bolsa de polvo en el fuego.
- Golpear un clavo cuando se lija puede causar chispas y crear una explosión o un incendio. Utilice siempre un martillo y perfore para avellanar todos los clavos antes de lijar los pisos.

**PELIGRO:**

La operación de equipo de lijado parcialmente ensamblado podría provocar que el operador o las personas en el área de trabajo sufriesen lesiones, y también podría causar daños materiales al equipo o a otros bienes.



- No opere este equipo a menos que esté totalmente ensamblado y que todas las protecciones, puertas y tapas estén bien aseguradas en su lugar.
- Mantenga todas las sujeciones apretadas.
- Mantenga todos los ajustes dentro de las especificaciones del fabricante.

**PELIGRO:**

Las partes móviles de este equipo de lijado pueden causar lesiones al operador o a las personas que se encuentren en el área de trabajo.

- Mantenga las manos, los pies y la vestimenta suelta alejados de todas las partes móviles.
- No cambie ni ajuste el abrasivo mientras el equipo de lijado esté en funcionamiento.
- No realice ningún servicio de reparación o mantenimiento al equipo de lijado mientras esté en funcionamiento.

**PELIGRO:**

Este equipo de lijado requiere un suministro de electricidad. El uso inadecuado podría provocar una descarga eléctrica o un incendio.

- Conecte únicamente a un suministro eléctrico que coincida con lo que se muestra en la placa de identificación del equipo.
- No utilice este equipo de lijado sobre un circuito eléctrico sin conexión a tierra. Consulte con un electricista si sospecha que el circuito no está adecuadamente conectado a tierra.
- No utilice este equipo de lijado con un cable eléctrico dañado. Inspecciones antes de cada uso.
- Evite golpear el cable eléctrico con el abrasivo. Eleve siempre el cable eléctrico sobre el equipo de lijado.
- No utilice el cable eléctrico para mover el equipo.
- Desconecte el suministro eléctrico antes de realizar un servicio de reparación o mantenimiento al equipo.

**ADVERTENCIA:**

En el caso de que la bolsa se prenda fuego, el operador puede resultar lesionado si está atado o sujeto al equipo. Utilice el cinturón operativo adecuadamente (siga el procedimiento de la página 11).

**ADVERTENCIA:**

Si no se utilizan los dispositivos de protección personal correctos mientras se realiza el lijado, el operador o cualquier persona en el área de trabajo pueden sufrir lesiones. Utilice siempre protección respiratoria, ocular y auditiva mientras realice una operación de lijado.

**ADVERTENCIA:**

Pueden producirse lesiones personales si se aplica potencia al equipo con el interruptor de alimentación ya situado en la posición "ON" (Encendido). Asegúrese siempre de que el interruptor de alimentación esté en la posición "OFF" (Apagado) antes de conectar la fuente de alimentación.

**PRECAUCIÓN:**

El mantenimiento y las reparaciones realizados por personal no autorizado podrían producir daños materiales o lesiones personales. El mantenimiento y las reparaciones realizadas por personal no autorizado anularán su garantía. El mantenimiento y las reparaciones de esta unidad siempre deben ser realizados por un distribuidor autorizado de American Sanders.

**PRECAUCIÓN:**

Si utiliza este equipo para desplazar otros objetos o para subirse al mismo se pueden producir lesiones o daños. No utilice este equipo como escalera ni como mueble. No se suba al equipo.

**PRECAUCIÓN:**

Si el equipo no se guarda correctamente en un edificio sin humedad podría resultar dañado. Guarde el equipo en un lugar seco.

**PRECAUCIÓN:**

El equipo es pesado. Cuando transporte el equipo, extraiga el motor. Consiga ayuda para elevar el equipo y el motor.

**PRECAUCIÓN:**

Se puede causar un daño grave al piso si el equipo de lijado se deja funcionando en un lugar mientras el tambor de lijado está en contacto con el piso. Para evitar dañar el piso, comience a lijar a una velocidad de lijado normal. Cuando baje o eleve la rueda de contacto, hágalo en el menor tiempo posible. Lije siempre a una velocidad constante.

DESEMBALAJE DE LA MÁQUINA

Cuando reciba la máquina, inspeccione con cuidado la caja de embarque y la máquina, para verificar si hay algún daño. Si hay algún daño evidente, guarde la caja de embarque de modo que se la pueda inspeccionar. Comuníquese con el Departamento de Atención al Cliente de American.

FAMILIARÍCESE CON SU MÁQUINA (Figura 1)

- 1 Manijas para el operador
- 2 Botón de cierre de seguridad de la palanca de maniobras
- 3 Palancas de maniobras - Apretar - ENCENDIDO (ON)
/ Aflojar - APAGADO (OFF)
- 4 Palanca de compresión para soltar la manija
- 5 Cable de energía
- 6 Manija para el operador
- 7 Gancho para el cable
- 8 Falda



ADVERTENCIA!

Esta máquina contiene piezas en movimiento. Para reducir el riesgo de lesiones, siempre desconecte el cable de energía antes de realizar el mantenimiento de la máquina.

INSTALACIÓN DEL IMPULSOR DE ALMOHADILLA

1. Alinee las lengüetas con las ranuras correspondientes del impulsor de la almohadilla y gire del impulsor de almohadilla en sentido anti-horario para que quede fijo en su lugar (figura 2).
2. Para retirar el impulsor de almohadilla, gírelo rápida y firmemente en sentido horario.



PRECAUCIÓN!

La utilización de una almohadilla incorrecta en esta máquina, podría sobrecargar el motor.

2. RS-16 DC: Instale el faldón de polvo como se muestra en la figura 1, ítem 8; tensando la banda hacia abajo.

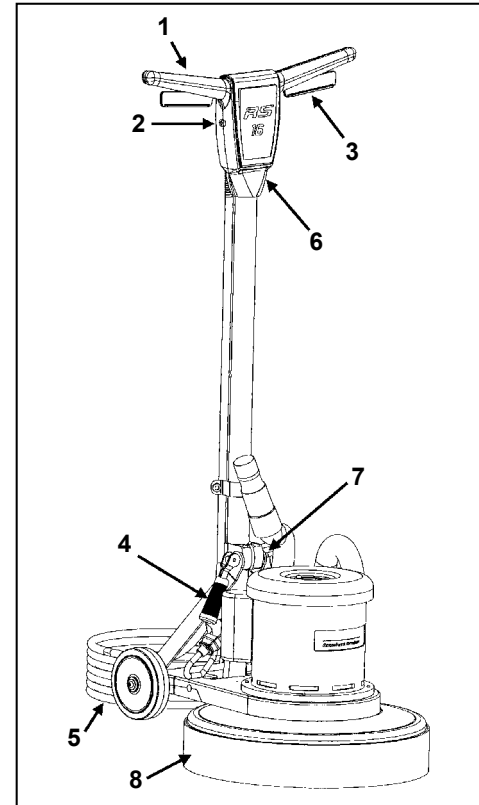


Figura 1

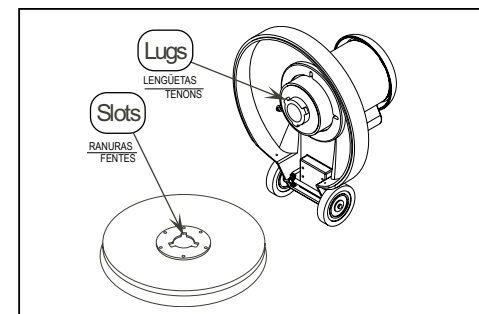


Figura 2

ESPECIFICACIONES DE LA PULIDORA

Modelo	RS-16	RS-16DC	RS-16DC
Número de código	07161A	07162A	56381748
Tensión (V)	120	120	230
Frecuencia (Hz)	60	60	50
Corriente (A)	15	15	8.3
Velocidad de la impulsor de la almohadilla	175 rpm	175 rpm	145 rpm
Potencia	1.5 hp (1.1 kW)	1.5 hp (1.1 kW)	1.1 kW
Transmisión	3-Engranaje planetario	3-Engranaje planetario	3-Engranaje planetario
Tamaño de la almohadilla/el cepillo	16" (41 cm)	16" (41 cm)	16" (41 cm)
Longitud del cable	50' (15 m)	50' (15 m)	50' (15 m)
Peso con manija	46" (117 cm)	46" (117 cm)	46" (117 cm)
Peso (con cable)	91 lbs. (41.1 kg)	91 lbs. (41.1 kg)	91 lbs. (41.1 kg)
Tubo de la manija	Acero tubular	Acero tubular	Acero tubular
Base	Aluminio fundido a presión	Aluminio fundido a presión	Aluminio fundido a presión

MAQUINAS 120 V. NSTRUCCIONES PARA LA CONEXION ELECTRICA DE LA MAQUINA

Cables de extensión (120 V)

Utilice únicamente un cable de extensión autorizado con tres conductores, un enchufe con tres terminales y un cuerpo del conector con tres orificios.

ADVERTENCIA: Si va a utilizar un cable de extensión, use uno de un calibre mínimo de 12 AWG. No use un cable de extensión de más de 50 pies. No una dos cables de extensión.

Cables de extensión (230 V)

Utilice únicamente un cable de extensión aprobado con dos conductores principales y uno de puesta a tierra.

ADVERTENCIA: Si va a utilizar un cable de extensión, use uno de un calibre mínimo de 1,50 mm². No use un cable de extensión de más de 15 metros. No una dos cables de extensión.

ADVERTENCIA: No corte, quite o rompa el terminal de conexión a tierra. No intente conectar un enchufe de tres terminales en un receptáculo o cuerpo conector en el que no encaje. Si el enchufe no encaja en el receptáculo o cuerpo conector, consulte con una persona autorizada para realizar la conexión.

Instrucciones para la la conexión eléctrica (120 V)

Instrucciones para la conexión a la fuente de alimentación y a tierra.

Este producto se debe conectar a tierra. En caso de mal funcionamiento o averías, la conexión a tierra proporciona una vía de menor resistencia para la corriente eléctrica a fin de reducir el riesgo de choques eléctricos. Este producto está equipado con un cable que tiene un conductor que pone el equipo a tierra y un enchufe de conexión a tierra. El enchufe se debe insertar en un tomacorriente adecuado que esté instalado debidamente y puesto a tierra de conformidad con todos los códigos y las normas locales.

ADVERTENCIA: La conexión incorrecta del conductor de puesta a tierra del equipo puede resultar en riesgos de choque eléctrico. Consulte con un electricista o un técnico de servicio calificados si tiene alguna duda con respecto a si el tomacorriente está puesto a tierra adecuadamente. No modifique el enchufe suministrado con la máquina. Si no encaja en el tomacorriente, contacte a un electricista calificado para que instale un tomacorriente adecuado.

Este producto está diseñado para utilizarse en un circuito de potencia nominal de 120 voltios, y tiene un enchufe de conexión a tierra semejante al enchufe ilustrado en la Fig. 12. Asegúrese de que el producto esté conectado a un tomacorriente que tenga la misma configuración que el enchufe. No se deben utilizar adaptadores con este producto. Siempre conecte la máquina a una línea eléctrica dedicada de 20 amperios para evitar el accionamiento del disyuntor y la sobrecarga de la línea debido a otros dispositivos.

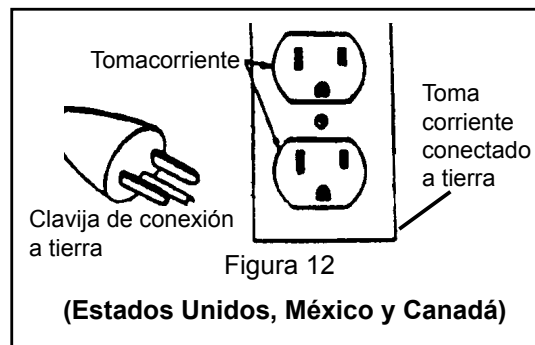
Instrucciones para la la conexión eléctrica (120 V)

ADVERTENCIA: Para evitar el riesgo de choques eléctricos, proteja la máquina de la lluvia. Guárdela en un lugar seco.

ADVERTENCIA: Para evitar el riesgo de choques eléctricos, siempre use un sistema eléctrico de tres conductores con conexión a tierra. Para una protección óptima contra choques eléctricos, utilice un circuito protegido por un interruptor de falla a tierra. Consulte con su contratista electricista.

ADVERTENCIA: No corte, quite o rompa la clavija de conexión a tierra. Si el enchufe no encaja en el tomacorriente, consulte con su contratista electricista.

ADVERTENCIA: Los cables desgastados, cortados o dañados los debe reemplazar un técnico de servicio autorizado.



Instrucciones para la conexión eléctrica (230V)

⚠ PRECAUCIÓN: Esta máquina funciona únicamente con la frecuencia de CA y el voltaje que se indican en la placa de identificación. Asegúrese de que la frecuencia y el voltaje sean adecuados antes de conectar el cable de alimentación tomacorriente.

La máquina se debe conectar tierra para proteger al operador de choques eléctricos. La máquina tiene un cable de alimentación con dos conductores principales y uno de puesta a tierra. Conecte el enchufe en el tipo de receptáculo que se muestra en la figura 5. El cable conductor verde y amarillo es el cable de conexión a tierra. Nunca conecte este cable a otro terminal que no sea el de conexión a tierra.

⚠ ADVERTENCIA: Siempre use esta máquina con un sistema eléctrico de CA de tres conductores conectado a tierra. Reemplace los cables que estén desgastados, cortados o dañados. Reemplace los enchufes, los receptáculos o los cuerpos conectores que estén dañados. No pase la máquina por encima del cable eléctrico. Siempre levante el cable por encima de la máquina.

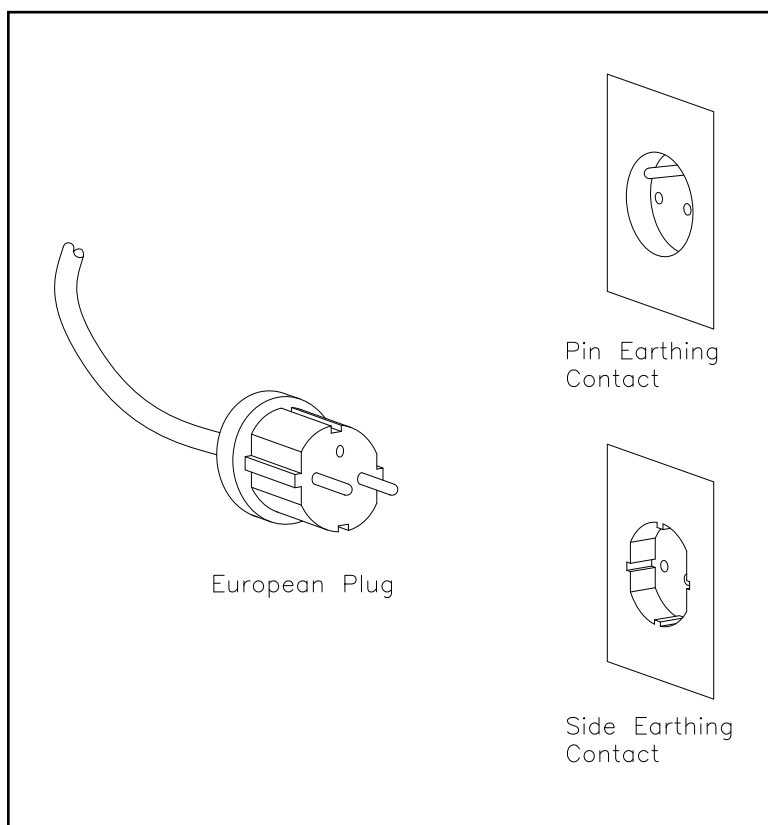


Figura 5

FUNCIONAMIENTO (Figura 4)

- 1 Desenrolle el cable de energía (5) y enchúfelo en una toma con adecuada conexión a tierra.
- 2 Tire de la palanca de compresión para aflojar la manija hacia arriba (4). Mueva la palanca del operador (6) hacia abajo hasta que sus brazos estén casi rectos. Empuje hacia abajo sobre la palanca de compresión para aflojar la manija (4) para fijarla en su lugar.
- 3 Levante la manija para el operador (6) hasta que el cepillo (o la almohadilla) quede horizontal contra el piso.

**¡ADVERTENCIA!**

Esté preparado para controlar la máquina tan pronto como arranque el motor. Apenas un pequeño movimiento de la manija hacia arriba o hacia abajo hará que la máquina se desplace de un lado al otro. Levante la manija para ir hacia la derecha. Baje la manija para ir hacia la izquierda.

**¡PRECAUCIÓN!**

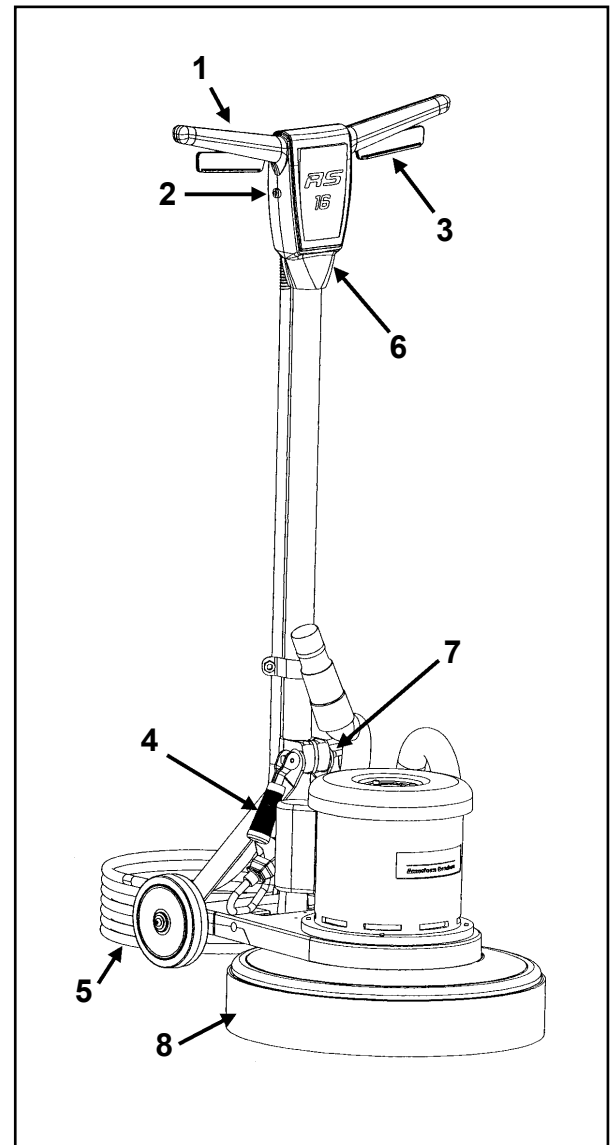
Inmediatamente comience a mover la máquina hacia adelante y hacia atrás. Para evitar dañar el piso, mantenga la máquina en movimiento mientras el motor se encuentre en funcionamiento.



- 4 Sostenga firmemente una de las manijas para el operador (1), empuje el botón de cierre de seguridad (2) y luego comprima las palancas de maniobras (3) para arrancar el motor. **NOTA:** Cuando se sueltan las palancas de maniobras (3), la máquina se detiene inmediatamente.

DESPUÉS DEL USO (Figura 4)

- 1 Coloque la manija para el operador (6) en posición vertical y desconecte el cable de energía (5). Enrolle el cable de energía (5) alrededor de las manijas para el operador (1) y del gancho del cable (7).
- 2 Retire la el impulsor de almohadilla de la máquina. Nunca guarde la máquina con el impulsor de almohadilla en la máquina.
- 3 Limpie toda la máquina con un trapo limpio y húmedo.
- 4 Inspeccione toda la máquina y todos los accesorios para verificar si hay daños. Realice el mantenimiento o las reparaciones que sean necesarias antes de guardar la máquina.
- 5 Guarde la máquina en un lugar limpio y seco, con la manija para el operador (6) trabada en posición vertical.

**Figura 4**

LA MÁQUINA SE BAMBOLEA DURANTE EL FUNCIONAMIENTO

- Almohadilla defectuosa... un lado es más denso que el otro.
- La máquina queda asentada sobre la almohadilla por un período de tiempo prolongado, lo cual hace que la almohadilla adopten cierta "forma".
- La almohadilla no "asienta" adecuadamente en las cerdas del soporte de la almohadilla.
- Bloque combado en el cepillo o en el soporte de la almohadilla - cámbielo.

LA MÁQUINA NO FUNCIONA

- Verifique el enchufe para ver si está bien conectado - tanto en la máquina como en la toma de pared.
- Controle el disyuntor de circuitos del edificio.
- Llame al servicio técnico.

LISEZ CE MANUEL

Ce Manuel contient des informations importantes concernant l'utilisation et le fonctionnement de cette machine dans des conditions de sécurité optimales. La non-lecture de ce manuel avant d'utiliser ou d'entretenir votre machine American Sanders risque de provoquer un accident ou d'endommager la machine ou son environnement. Vous devez avoir été formé à l'utilisation de cette machine avant de l'utiliser. Si l'opérateur n'est pas en mesure de lire ce Manuel, il devra se le faire expliquer entièrement avant de tenter d'utiliser cette machine.

Toutes les directions données dans ce Manuel le sont par rapport à la position de l'opérateur, à l'arrière de la machine.

Contents

Consignes De Securite Destinees A L'operateur.....	21
Préparation de la machine avant la mise en service.....	23
Instructions pour le raccordement au réseau 120.....	24-25
Préparation de la machine avant la mise en service.....	26
Diagnostic.....	27



AVERTISSEMENT !

Les Produits vendus avec le présent manuel contiennent ou peuvent contenir des produits chimiques reconnus par certains gouvernements (comme l'État de Californie, par le biais de la proposition de loi d'avertissement réglementaire 65) comme provoquant des cancers, des anomalies congénitales et autres dangers pour la reproduction. Dans certains endroits (comme l'État de Californie), les acheteurs de ces Produits, qui les utilisent sur un lieu de travail ou dans un espace public, ont l'obligation d'apposer certains avis, avertissements ou informations concernant les produits chimiques qui sont ou peuvent être contenus dans les Produits dans ces lieux ou aux alentours de ces lieux de travail. Il incombe à l'acheteur de connaître les dispositions de, et de respecter, toutes les lois et réglementations ayant trait à l'utilisation de ces Produits au sein de tels environnements. Le Fabricant rejette toute responsabilité d'informer les acheteurs concernant des exigences spécifiques qui peuvent s'appliquer à l'utilisation des Produits dans de tels environnements.

*****Ce produit est destiné pour une utilisation commerciale.*****

Consignes De Securite Destinees A L'operateur

DANGER signifie:



De graves blessures corporelles, voire la mort, peuvent survenir si les déclarations DANGER apposées sur l'appareil ou inscrites dans le Manuel de l'utilisateur sont ignorées ou ne sont pas suivies. Lisez et respectez toutes les consignes DANGER se trouvant dans le Manuel de l'utilisateur et sur l'appareil.

AVERTISSEMENT signifie:



Des blessures corporelles peuvent survenir si les MISES EN GARDES apposées sur l'appareil ou inscrites dans le Manuel de l'utilisateur sont ignorées ou ne sont pas suivies. Lisez et respectez toutes les AVERTISSEMENTS inscrits dans le Manuel de l'utilisateur et apposés sur l'appareil.

MISE EN GARDE signifie:



Il y a risque de dommages à l'appareil ou à la propriété si les MISES EN GARDES apposées sur l'appareil ou inscrites dans le Manuel de l'utilisateur sont ignorées ou ne sont pas suivies. Lisez et respectez toutes les MISES EN GARDE se trouvant dans le Manuel de l'utilisateur et apposées sur l'appareil.



DANGER:

À défaut de lire le Manuel de l'utilisateur avant l'utilisation ou l'entretien de cet appareil de ponçage peut provoquer des blessures corporelles à l'opérateur ou toute autre personne et endommager l'appareil. Lisez et respectez toutes les consignes de sécurité décrites dans ce Manuel et apposées sur l'appareil de ponçage. Assurez-vous que tous les autocollants, décalcomanies, avertissements, mises en garde et directives sont apposés sur l'appareil. Remplacez tous ceux endommagés ou manquants. Vous devez avoir été formé à l'utilisation de cette appareil avant de l'utiliser. Si l'opérateur est incapable de lire ce manuel, le faire expliquer dans son intégralité avant qu'il essaie d'utiliser cet appareil.



DANGER:

- Les briquets, les flammes pilote et toute autre source d'inflammation peuvent provoquer une explosion si actionnés au cours d'un ponçage. Toutes sources d'inflammation devraient être éteintes ou retirées entièrement, si possible, de la zone de travail.
- Les zones de travail peu aérées peuvent se transformer en un environnement déflagrant lorsque certains matériaux combustibles sont présents dans l'atmosphère notamment les solvants, diluants, alcool, combustibles, certains finis, poussières de bois et autres matériaux combustibles. Les appareils de ponçage de plancher peuvent inflammer le matériel et les vapeurs. Bien lire l'étiquette du fabricant sur tous les produits chimiques pour évaluer la combustibilité. Veillez à ce que la zone de travail soit bien aérée.
- La combustion spontanée ou une explosion est possible lors de travaux avec poussière de ponçage. La poussière de ponçage peut s'inflammer elle-même et provoquer des blessures ou des dommages. Veillez éliminer adéquatement la poussière de ponçage. Videz toujours la poussière de ponçage dans un contenant en métal situé à l'extérieur de tout(tous) édifice(s).
- Videz le sac de dépoussiérage lorsqu'il est plein au tiers de sa capacité. Videz le contenu du sac de dépoussiérage à chaque fois que vous avez terminé avec l'appareil. Ne laissez jamais un sac de dépoussiérage sans surveillance avec de la poussière de bois.
- Ne jetez pas le contenu du sac de dépoussiérage dans un feu.
- En cours de ponçage, il est possible de provoquer une étincelle en heurtant un clou et ainsi, provoquer une explosion ou un incendie. Utilisez toujours un marteau et un poinçon pour fraisurer tous clous avant de sabler/poncer un plancher.

**DANGER:**

Le fonctionnement d'un appareil de ponçage partiellement assemblé peut blesser l'opérateur ou une personne à proximité et provoquer des dommages à l'appareil ou à la propriété d'autrui.



- N'utilisez pas cet appareil jusqu'à ce qu'il soit entièrement assemblé avec tous les dispositifs de protections, portes et couvercles solidement fixés.
- Veillez à ce que tous les dispositifs de fixation soient serrés.
- Suivez toutes les spécifications de réglage du fabricant.

**DANGER:**

les pièces mobiles de cet appareil de ponçage peut blesser l'opérateur ou une personne à proximité.



- Tenez les mains, pieds et vêtements amples loin de toutes pièces mobiles.
- Ne changez pas ou n'ajustez pas le papier abrasif alors que l'appareil de ponçage est en fonctionnement.
- N'effectuez pas l'entretien de l'appareil de ponçage en cours de fonctionnement.

**DANGER:**

Cet appareil de ponçage exige une source d'alimentation électrique. Une utilisation inadéquate pourrait provoquer un choc électrique ou une électrocution ou un incendie.



- Branchez l'appareil uniquement à une source d'alimentation qui correspond aux indications de la plaque signalétique.
- Utilisez cet appareil de ponçage uniquement sur un circuit électrique mis à la terre. Consultez un électricien si vous croyez que le circuit n'est pas correctement mis à la terre.
- N'utilisez pas cet appareil de ponçage avec un cordon d'alimentation endommagé. Inspectez l'appareil avant chaque usage.
- Ne heurtez pas le cordon d'alimentation avec le papier abrasif. Soulevez toujours le cordon d'alimentation au-dessus de l'appareil de ponçage.
- N'utilisez pas le cordon d'alimentation pour déplacer l'appareil de ponçage.
- Débranchez de la source d'alimentation avant d'effectuer une réparation ou un entretien sur cet appareil.

**AVERTISSEMENT:**

Dans le cas d'un sac de dépoussiérage en feu, l'opérateur peut se blesser s'il est attaché ou relié à l'appareil avec une sangle. Utilisez correctement la ceinture de travail (suivez la procédure à la page 11).

**AVERTISSEMENT:**

L'opérateur, ou toute personne à proximité, doit porter une tenue de protection en cours de ponçage pour prévenir les blessures. Utilisez toujours une protection oculaire et auditive ainsi qu'un appareil respiratoire lors de tout ponçage/sablage.

**AVERTISSEMENT:**

Il y a un risque potentiel de blessures corporelles si l'appareil est mis sous tension avec l'interrupteur déjà en position de marche (ON). Assurez-vous toujours que l'interrupteur soit en position d'arrêt (OFF) avant de mettre l'appareil sous tension.

**MISE EN GARDE :**

Les opérations de maintenance et les réparations effectuées par des techniciens non agréés risquent d'entraîner des dommages ou des blessures corporelles. Les opérations de maintenance et les réparations effectuées par des techniciens non agréés annuleront votre garantie. Dirigez-vous toujours à un distributeur agréé American Sanders pour toutes réparations de cet appareil.

**MISE EN GARDE:**

L'utilisation de cet appareil pour déplacer ou monter sur des objets peut provoquer un accident ou entraîner des dégâts matériels. Ne pas utiliser cet appareil comme marchepied ou comme meuble. Ne montez pas sur cet appareil.

**MISE EN GARDE:**

Il y a un risque d'endommager l'appareil si celui-ci n'est pas entreposé dans un bâtiment à l'abri de l'humidité. Rangez l'appareil dans un établissement à l'abri de l'humidité.

**MISE EN GARDE :**

Cet appareil est lourd. Pour le transport de l'appareil, déposez le moteur. Demandez de l'aide pour soulever l'appareil et le moteur.

**MISE EN GARDE :**

Il y a un risque de dommages graves au plancher si l'appareil de ponçage fonctionne en continu au même endroit avec le tambour de ponçage directement sur le plancher. Pour empêcher tout dommage au plancher, poncer légèrement à un régime de ponçage normal. Ne vous arrêtez pas lors de la levée ou de l'abaissement du tambour. Poncez ou sablez toujours à un régime constant.

Preparation De La Machine Avant La Mise En Service

DÉBALLER LA MACHINE

Lorsque la machine vous est livrée, contrôlez minutieusement que la boîte d'emballage et la machine ne présentent aucun dommage. Si elles sont endommagées, conservez la boîte d'emballage afin qu'elle puisse être inspectée. Contactez immédiatement le service d'entretien American Sanders.

CONNAÎTRE VOTRE MACHINE (Figure 1)

- 1 Prises de la poignée de l'opérateur
- 2 Bouton de verrouillage de sécurité du levier d'interrupteur
- 3 Leviers d'interrupteur - Appuyer - MARCHE / Relâcher - ARRÊT
- 4 Levier de dégagement de la poignée
- 5 Câble d'alimentation
- 6 Manette de commande
- 7 Pince pour câble
- 8 Jupe



¡AVERTISSEMENT!

Cette machine contient des pièces mobiles. Afin de réduire le risque de blessures, déconnectez toujours le câble d'alimentation avant de procéder à l'entretien.

INSTALLATION DU PLATEAU

1. Alignez les tenons sur les fentes correspondantes dans le plateau, et tournez le plateau dans le sens inverse des aiguilles d'une montre pour le bloquer fermement en place (figure 2). Pour retirer le support de plateau, tournez-le fermement et rapidement dans le sens des aiguilles d'une montre.



¡ATTENTION!

L'utilisation du mauvais plateau sur cette machine peut entraîner une surcharge du moteur.

2. RS-16 DC:
Installer la jupe antipoussière comme illustré à la figure 1, élément 8, en basculant la jupe vers le bas.

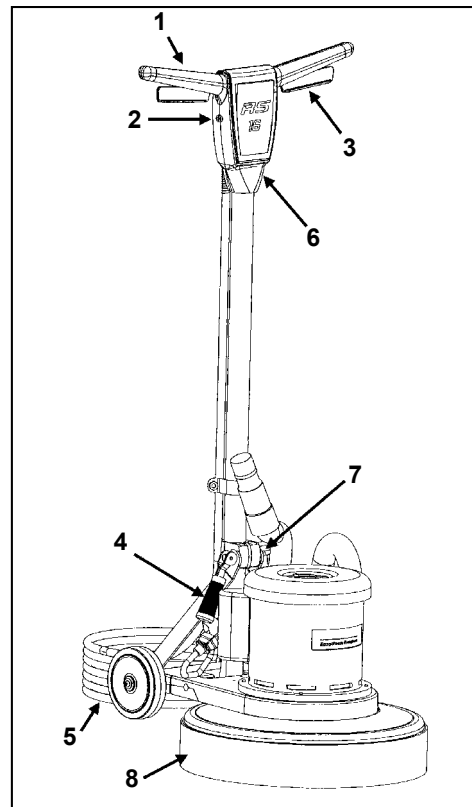


Figure 1

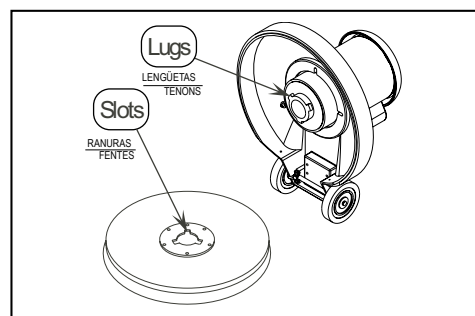


Figure 2

SPÉCIFICATIONS DE LA CIREUSE

Modèle	RS-16	RS-16DC	RS-16DC
Numéro de code	07161A	07162A	56381748
Tension (volts)	120	120	230
Fréquence (Hz)	60	60	50
Courant (Amps)	15	15	8.3
Vitesse du plateau	175 rpm	175 rpm	145 rpm
Puissance	1.5 hp (1.1 kW)	1.5 hp (1.1 kW)	1.1 kW
Transmission	3-étages planétaires	3-étages planétaires	3-étages planétaires
Taille du patin/brosse	16" (41 cm)	16" (41 cm)	16" (41 cm)
Longueur du câble	50' (15 m)	50' (15 m)	50' (15 m)
Hauteur avec poignée	46" (117 cm)	46" (117 cm)	46" (117 cm)
Poids (avec câble)	91 lbs. (41.1 kg)	91 lbs. (41.1 kg)	91 lbs. (41.1 kg)
Tube poignée	Acier tubulaire	Acier tubulaire	Acier tubulaire
Base	Aluminium moulé	Aluminium moulé	Aluminium moulé

Machines 120 V - Instructions Pour Le Raccordement Electrique

Rallonges (120 V)

Utilisez uniquement une rallonge approuvée avec trois fils, une fiche avec trois bornes et un corps de connecteur avec trois trous.

AVERTISSEMENT : Si vous utilisez une rallonge électrique, utilisez une rallonge électrique de calibre 12 AWG minimum. N'utilisez pas une rallonge plus longue que 50 pieds. Ne reliez pas deux rallonges.

Rallonges (230 V)

Utilisez uniquement une rallonge avec deux conducteurs principaux et un conducteur de terre.

AVERTISSEMENT : Si vous utilisez une rallonge électrique, utilisez une rallonge électrique de calibre 1,50 mm². N'utilisez pas une rallonge plus longue que 15 mètres. Ne reliez pas deux rallonges.

AVERTISSEMENT : Ne coupez, retirez ou cassez pas la broche de mise à la terre. Ne tentez pas d'insérer une fiche à trois bornes dans un réceptacle ou connecteur non adapté. Si la fiche ne s'insère pas dans le réceptacle ou le corps du connecteur, contactez votre interlocuteur autorisé pour réaliser le raccordement.

Consignes pour le branchement électrique (120V)

Consignes pour le raccordement à l'alimentation électrique et à la mise à la terre.

Ce produit doit être mis à la terre. En cas de dysfonctionnement ou de panne, la terre fournit au courant électrique un chemin de moindre résistance et réduit le risque de commotion électrique. Ce produit est équipé d'un cordon comportant un conducteur de masse et une fiche avec mise à la terre. La fiche doit être branchée dans une prise appropriée qui est correctement installée et mise à la terre conformément à tous les codes et règlements locaux.

AVERTISSEMENT : Un branchement incorrect du conducteur de mise à la terre de l'équipement peut entraîner un risque de commotion électrique. Consultez un électricien ou un echnicien qualifié si vous avez des doutes concernant la mise à la terre de la prise. Ne modifiez pas la fiche fournie avec le produit – si elle n'entre pas dans la prise, faites installer une prise adéquate par un électricien qualifié.

Ce produit doit être utilisé sur un circuit de 120 volts de tension nominale et comporte une fiche avec mise à la terre qui ressemble à la fiche représentée sur la Fig. 12. Assurez-vous que le produit est branché à une prise ayant la même configuration que la fiche. Il ne faut pas utiliser d'adaptateur avec ce produit. Connectez toujours la machine à une ligne électrique dédiée de 20 ampères pour éviter le déclenchement intempestif du disjoncteur et la surcharge de la ligne due à d'autres appareils.

AVERTISSEMENT : Pour prévenir le risque d'électrocution, protégez la machine de la pluie. Gardez la machine dans un bâtiment sec.

AVERTISSEMENT : Pour prévenir le risque d'électrocution, utilisez toujours un système électrique à 3 fils relié à la terre électrique. Pour une protection maximale contre les chocs électriques, utilisez un circuit protégé par un disjoncteur de défaut à la terre. Consultez votre sous-traitant électrique.

AVERTISSEMENT : Ne coupez, retirez ou cassez pas la broche de mise à la terre. Si la prise ne correspond pas à la fiche, consultez votre entrepreneur électrique.

AVERTISSEMENT : Faites remplacer les cordons usés, coupés ou endommagés par un personnel d'entretien agréé.

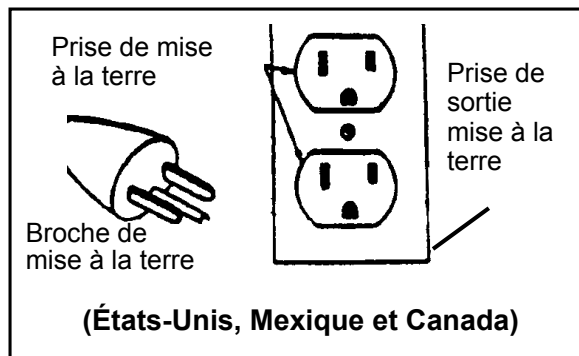


Figure 12

Consignes pour le branchement électrique (230V)

⚠ ATTENTION : Cette machine fonctionne uniquement avec la fréquence et la tension CA spécifiées sur la plaque. Assurez-vous que vous utilisez la bonne fréquence et tension avant de brancher le cordon d'alimentation dans une prise.

Cette machine doit être mise à la terre pour protéger l'opérateur du danger d'électrocution. La machine est munie d'un cordon d'alimentation avec deux principaux conducteurs et un conducteur de terre. Branchez la fiche dans un réceptacle du type indiqué dans la figure 5. Le conducteur vert et jaune est le conducteur de terre. Ne jamais brancher ce conducteur à une borne autre que celle de mise à la terre.

⚠ AVERTISSEMENT : Utilisez toujours cette machine avec un système électrique à 3 conducteurs raccordé à la masse. Remplacez tout cordon usagé, coupé ou endommagé. Remplacez les fiches, réceptacles ou corps de connecteurs endommagés. Ne déplacez pas la machine au-dessus d'un cordon électrique. Soulevez toujours le cordon au-dessus de la machine.

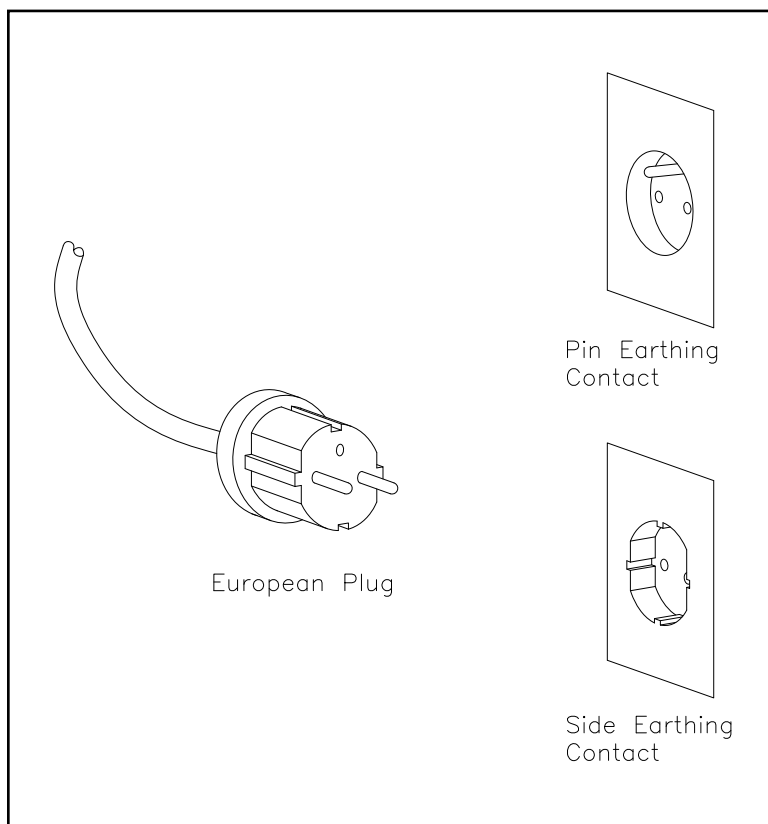


Figure 5

FONCTIONNEMENT (Figure 4)

1. Déserroulez le câble d'alimentation (5) et branchez-le à une prise correctement mise à la terre.
2. Tirez sur le levier de dégagement de la poignée (4). Appuyez sur la poignée de l'opérateur (6) vers le bas jusqu'à vos bras soient presque droits. Appuyez sur le levier de dégagement de la poignée (4) pour le bloquer fermement en place.
3. Tirez sur la poignée de l'opérateur (6) jusqu'à ce que la brosse (ou le patin) soit à plat sur le sol.



¡AVERTISSEMENT!

Soyez prêt à contrôler la machine dès que le moteur démarre. Un léger mouvement de la poignée vers le haut ou vers le bas déplacera la machine latéralement. Soulevez la poignée pour aller vers la droite. Abaissez la poignée pour aller vers la gauche.



¡ATTENTION!

Déplacez immédiatement la machine d'avant en arrière. Gardez la machine en mouvement pendant que le moteur est en fonctionnement afin d'éviter que le sol ne soit endommagés.

4. Tenez fermement une des prises de la poignée de l'opérateur (1), poussez le bouton de verrouillage de sécurité (2) puis appuyez sur les leviers d'interrupteur (3) pour faire démarrer le moteur. N.B.: Lorsque les leviers d'interrupteur (3) sont relâchés, la machine s'éteint immédiatement.

APRÈS UTILISATION (Figure 4)

1. Placez le poignée de l'opérateur (6) en position verticale et débranchez le câble d'alimentation (5). Enroulez le câble d'alimentation (5) autour des prises de la poignée de l'opérateur (1) et de la pince pour câble (7).
2. Enlever le plateau de la machine. Ne jamais ranger la machine quand le plateau est en place.
3. Essuyez l'ensemble de la machine avec un chiffon humide propre.
4. Inspectez la totalité de la machine ainsi que tous les accessoires pour contrôler qu'ils ne sont pas endommagés. Effectuez toute réparation ou entretien requis avant de ranger la machine.
5. Conservez la machine dans un lieu propre et sec, avec la poignée de l'opérateur (6) verrouillée en position verticale.

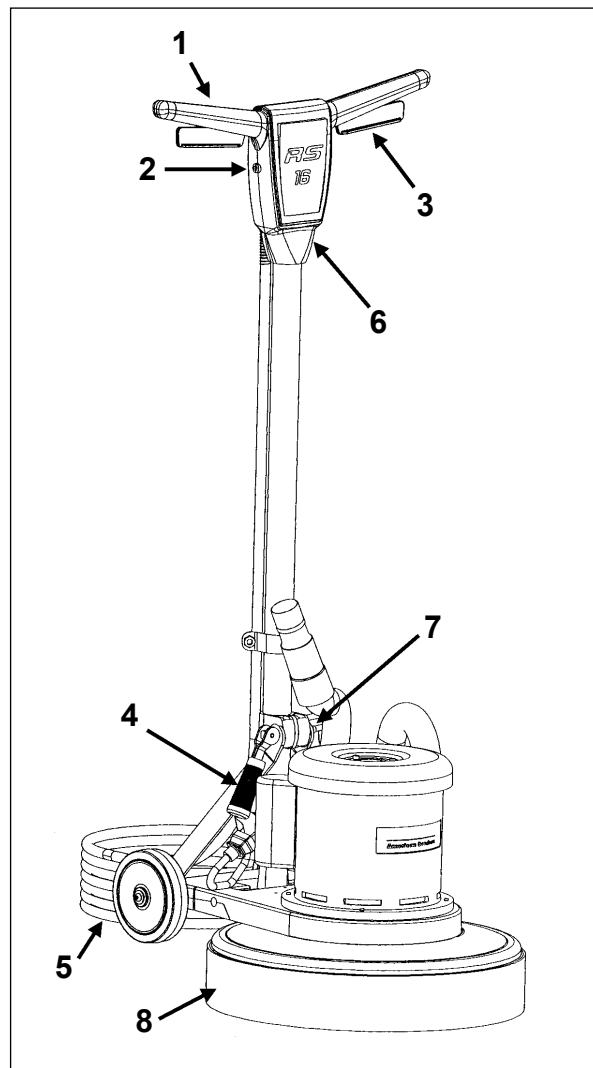


Figure 4

LA MACHINE OSCILLE AU COURS DE L'OPÉRATION

- Patin défectueux... un côté est plus dense que l'autre.
- La machine est restée appuyée sur la patin pendant trop longtemps, causant au patin de prendre une forme incorrecte.
- Le patin n'est pas placé correctement sur les poils du support du patin.
- Bloc faussé sur le support de la brosse ou patin - le remplacer.

LA MACHINE NE FONCTIONNE PAS

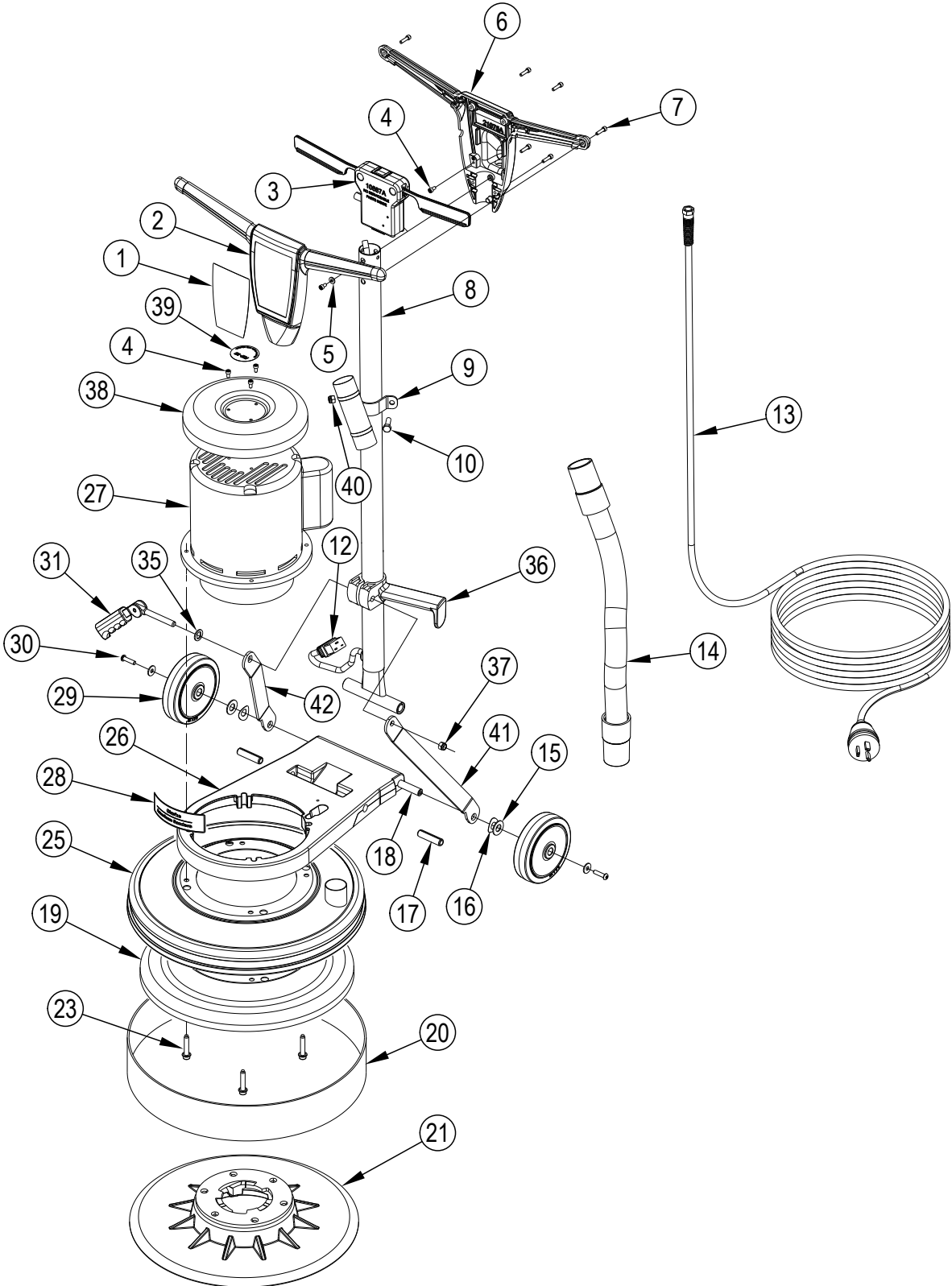
- Contrôlez que la prise est connectée correctement - sur la machine et la prise murale.
- Contrôlez le coupe-circuit du bâtiment.
- Contactez le service de réparation.



RS-16
RS-16DC
Rotary Sander
Section II
Parts Manual

Main Assembly

RS-16 - ASSEMBLY



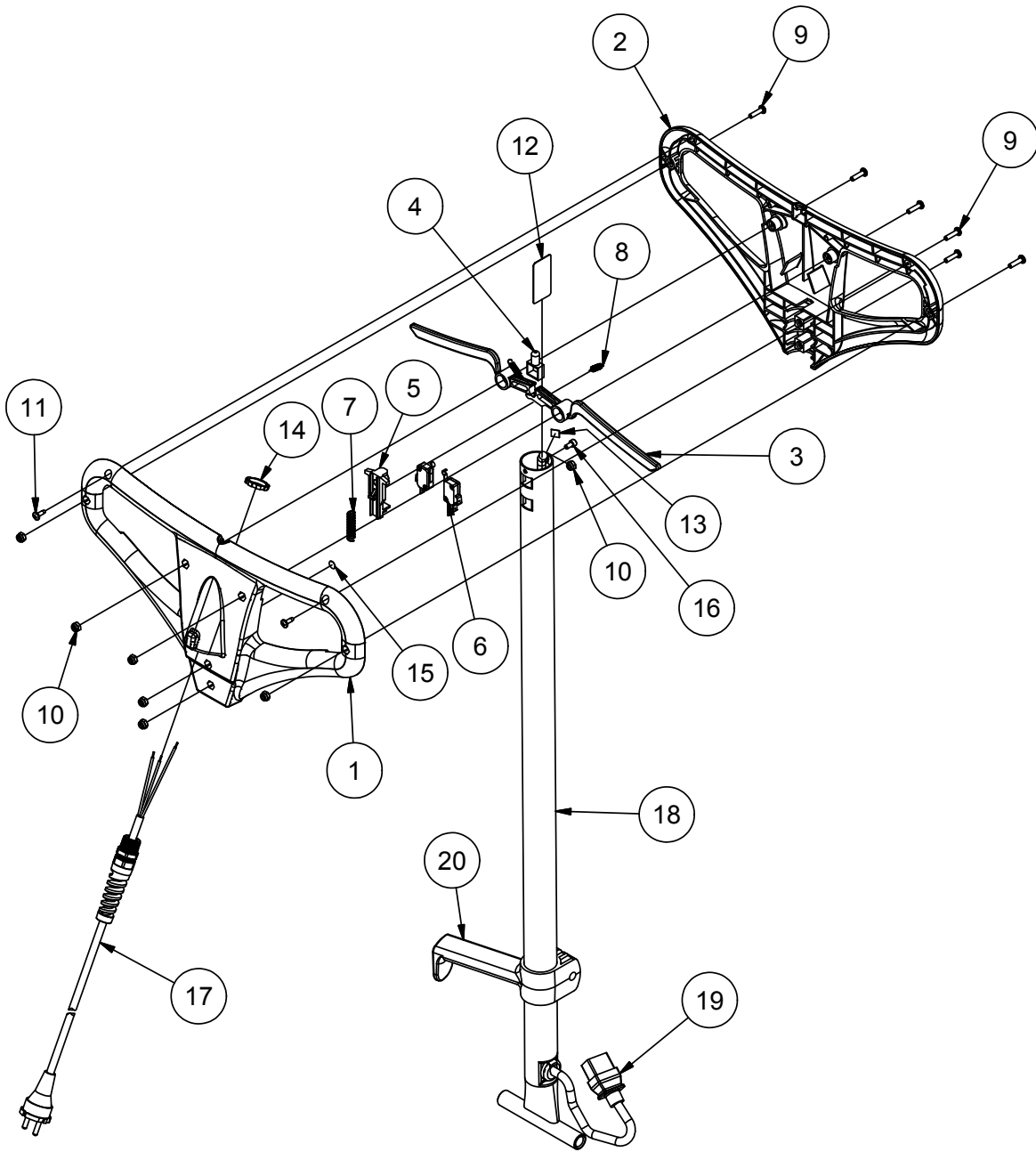
Main Assembly

RS-16 - ASSEMBLY

Item	Ref. No.	Qty	Description
1	71119A	1	Label
2	21074A	1	Handle Front
3	10687A	1	Module
4	80290A	4	Screw, 10-32 x 3/8
5	87024A	1	Washer
6	21075A	1	Handle Back
7	80284A	6	Screw, 10-32 x 3/4
8	61373A	1	Handle Tube
9	10304A	1	Adaptor (DC)
10	88643A	1	Bolt Carriage 5/16-18x1 1/4 (DC)
12	40789A	1	Cord Interconnect
13	40919A	1	Cord, Power (120V)
	40524A	1	Cord-Power (230V)
14	30407B	1	Hose, Squeegee (DC)
15	980648	2	Washer, 1/2
16	80295A	2	Washer, Bowed
17	53833A	2	Pin, 1/2
18	61725A	1	Axle
19	61915A	1	Shield, Inner (DC)
20	30725A	1	Skirt (DC)
21	10242A	1	Pad Driver
NI	460215	1	Hard Plate (Option 1)
23	80294A	4	Screw, 5/16
25	56381944	1	Hsg Brush Asm 17 DC (DC)
	11006A	1	Assembly Housing 17 (STD)
26	21088A	1	Main Frame
27	53650A	1	Motor (120V)
	53652A	1	Motor (230V)
28	70499A	1	Label
29	39857A	2	Wheel
30	80292A	2	Screw, 1/4-20 x 1
31	56109699	1	Cam Assy With Grip NOTE 1
35	980349	1	Washer
36	50781A	1	Clamp
37	920342	1	Nut, 3/8
38	61716A	1	Cover
39	71120A	1	Label
40	920110	1	Nut, 5/16 (DC)
41	61740A	1	Link Arm, Left
42	61741A	1	Link Arm, Right

NOTE 1: The old handle assembly consisting of the following parts (56057675, 53662A, 461404, 441301) is no longer available. If you need to replace any of these components please order 56109699.

Handle Assembly-230V Models



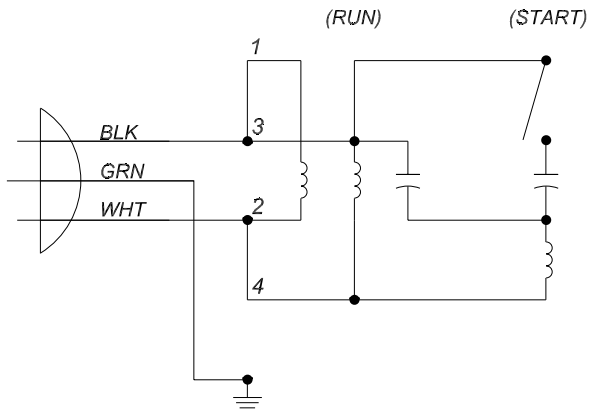
Handle Assembly-230V Models

Item	Ref. No.	Qty	Description
1	50780A	1	Handle, Rear, C2K
2	30285A	1	Handle Front C2K w/Blank
3	50798A	2	Lever, Switch, C2K
4	50806A	1	Button, Interlock, C2K
5	50799A	1	Interlock, Main, C2Kr
6	40109A	2	Switch, Miniature-SPNO, C2K
7	50821A	1	Spring, Compression, C2K
8	50820A	2	Spring, Extension, C2K
9	85383A	6	Screw 10-32 X 3/4 PAN HD
10	920722	7	Nut, 10-32 Elastic Stop ZN. PL.
11	962957	2	Screw, 10-16 X 1/2 Hi-Lo
12	50930A	1	Cord Retainer, C2K
13	77094A	1	Label, Ground Symbol
14	170686	1	Nutlk For 1/2 Conduit
15	AS006800	1	Decal, "N"
16	80290A	1	Screw, 10-32 UNF X .375
17	AS018800	1	Cord, Power Supply, CE, 40ft
18	AS017400	1	Handle, Tube, Weldment
19	AS018000	1	Cord, Interconnect, Export
20	50781A	1	Clamp Handle C2K

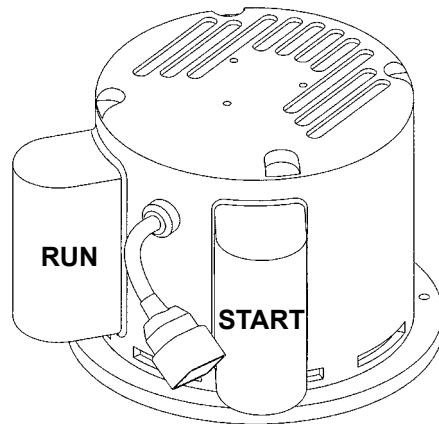
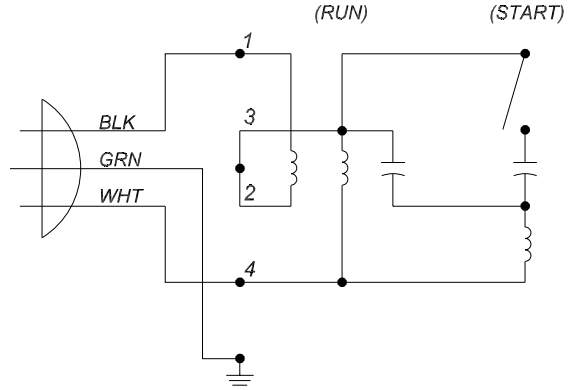
Motor Assembly

RS-16, RS-16 DC Motor Assembly Drawing, Parts List and Schematics 1/11

ELECTRICAL SCHEMATIC
(120V)



ELECTRICAL SCHEMATIC
(230V)



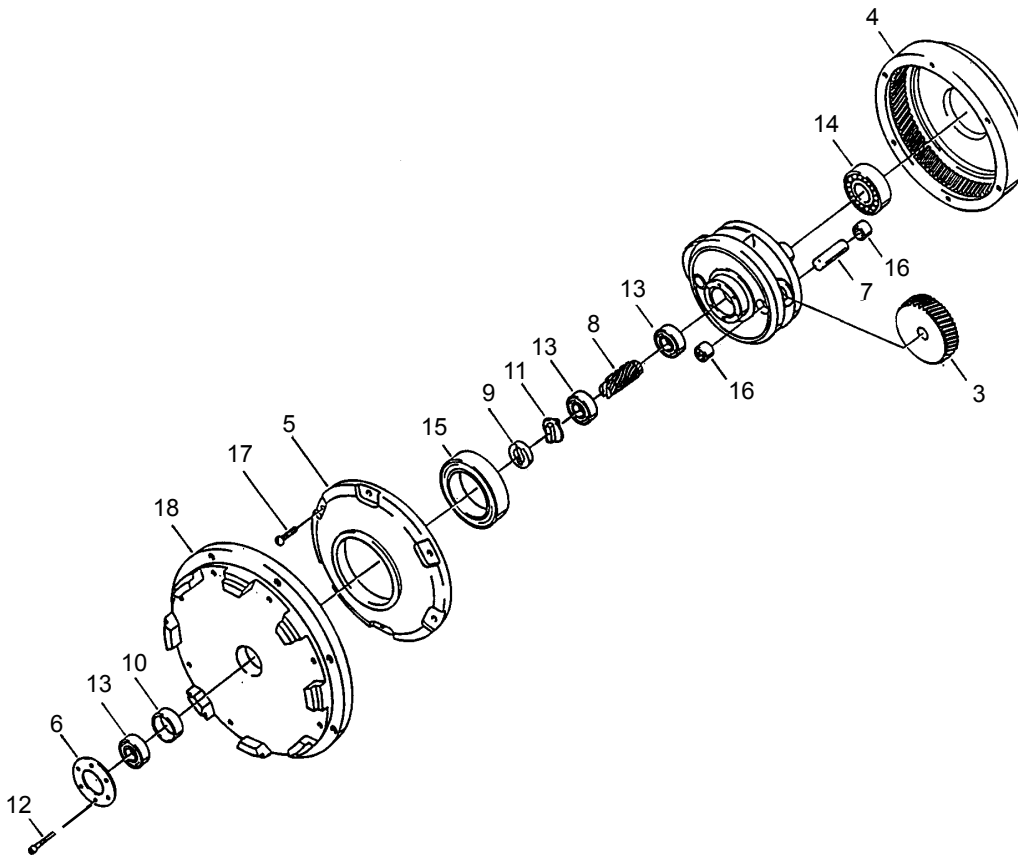
MOTOR PART NUMBER

Part No.	Description	Qty
40694A	Capacitor, Start	1
53191A	Capacitor, Run	1
53360A	Cover, Capacitor Right	2
53190A	Switch, Start	1
902550	Bearing, Ball-6203	1
53848A	Plate, Mounting	1
40698A	Endbell	1
41053A	Cord, IEC	1
747553	Strain Relief	1

40763A / 40765A

Gearbox Assembly

RS-16, RS-16 DC
Gearbox Assembly Drawing & Parts List 1/06

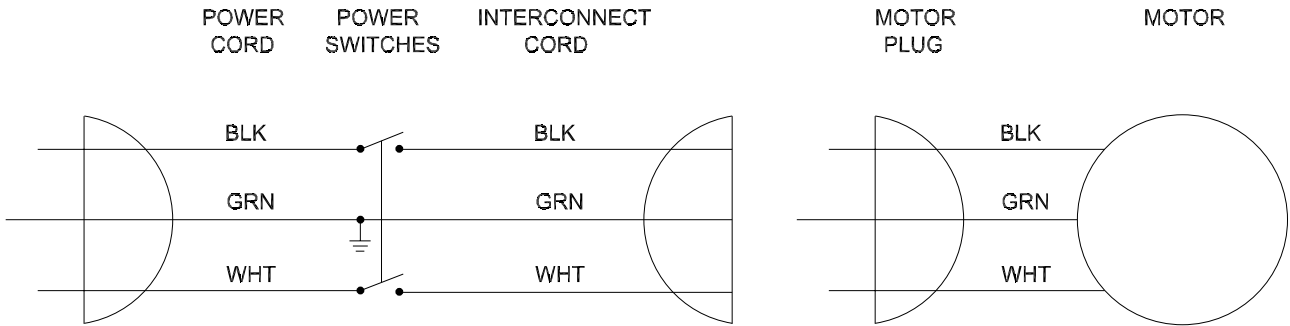



GEARBOX PART NUMBER

Ref.	Part No.	Description	53646A Qty
NI	503802	Grease - 14 Ounce Tube	(1)
3	54408A	Gear, Planet	3
4	54856A	Gear, Ring	1
5	54858A	Cover, Gearbox	1
6	56922A	Retainer, Bearing	1
7	58312A	Shaft, Planet	3
8	58313A	Gear, Pinion	1
9	58314A	Retainer, Shaft	1
10	58520A	Spacer, Sleeve	1
11	69195A	Coupling, Shaft	1
12	80141A	Screw, 10-32 x 1	6
13	902606	Bearing, Ball- 6002	3
14	902654	Bearing, Ball- 6204	1
15	902736	Bearing, Ball- 6010	1
16	902737	Bearing, Needle	6
17	84808A	Screw, 10-24 x 3/4	6
18	53848A	Plate, Mounting	1

NOTE: Use 9 ounces of grease in Gearbox 53645A and 8 ounces of grease in Gearbox 53646A

Wiring Diagram



	Model:	<input type="text" value="RS-16DC"/>		
	Part No:	<input type="text" value="07226A"/>		
	Serial No:	<input type="text" value="S??????"/>		
	Volts:	<input type="text" value="230V"/>	Freq:	<input type="text" value="50Hz"/>
	Watts:	<input type="text" value="750"/>	Amps:	<input type="text" value="5"/>
	???			<input type="text" value="3600 OPM"/>

Sparta, NC 28675 USA



EC DECLARATION OF CONFORMITY

according to
EC Machinery Directive 2006/42/EC

We, Amano Pioneer Eclipse Corp. (1 Eclipse Road, PO Box 909, Sparta NC28675, USA) with authorized EU representative (see info under section importer) declare under our sole responsibility that the following described equipment in our delivered version complies with the appropriate basic safety and health requirements of the above- mentioned Directives based on its design and type, as brought into circulation by us. In case of alteration of the machine, not agreed upon by us, this declaration will lose its validity.

Applicable EC Directives:

- **Electromagnetic Compatibility Directive 2014/30/EU** of 26 February 2014
- **Low Voltage Directive 2014/35/EU** of 26 February 2014
- **Machinery Directive 2006/42/EC + Amending Directive 95/16/EC** of 17 May 2006
- **Restriction of the use of certain hazardous substances in electrical and electronic equipment Directive 2011/65/EU** of 8 June 2011

Applicable Harmonized Standards: EN 60335-1:2010 + Corr.1:2010 + Corr.2:2011 + A1:2013 + Corr.1:2014
EN 60335-2-72:2012, EN 62233:2008, EN 55014-1:2006 + A1:2009 + A2:2011
EN 55014-2:1997 + A1:2001 + A2:2008, EN 61000-3-2:2014
EN 61000-3-3:2013, EN 50581:2012,

Type of Equipment: Commercial Wood Floor Sander

Model Number(s): 07226A

Description(s): RS-16DC 230V/50 HZ

Serial Number:

Year in which CE marking was affixed: 2019

Place: Sparta

Signature: _____

Date: 01/11/2019

Name: _____

Position: _____

Importer's Name: _____

Date: _____

Importer's Address: _____

Name and Signature: _____

Limited Warranty

RS-16, RS-16 DC Sander

TO QUALIFY FOR THIS WARRANTY

- (1) Machine must be registered within 30 days from the time of purchase on a form provided by American Sanders. Your American Sanders Distributor is responsible for the registration of your machine. Please cooperate with your Distributor in supplying necessary information on the card.
- (2) The machine must have been purchased from American Sanders or an authorized American Sanders Distributor.
- (3) This warranty extends to the original purchaser only and is not transferable to subsequent owners.

TIME PERIODS

FIVE (5) YEAR WARRANTY - For the RS-16DC HDTR Rotary Sander. Warranted to be free from defects in material and workmanship for a period of five (5) years from the date of purchase by the original owners. (See Exclusions)

EXCLUSIONS (Not Covered by Warranty)

- (1) Expendable wear items and parts that fail through normal wear by reason of their characteristics (cords, pads, pad holders, belts, wheels, carbon motor brushes, bulbs, filters, bags, or other consumable parts).
- (2) This warranty does not extend to parts affected by misuse, neglect, abuse, accidents, damage in transit, overloading the capacity of the machine, failure due to lack of proper maintenance or care as described in the operating and maintenance instructions. All defective parts must be returned to the distributor for credit.
- (3) Minor adjustments, such as tightening of screws or bolts not connected with the replacement of parts, are not covered.
- (4) Repairs or alterations by an organization other than the factory or an Authorized Service Center are not covered and will void any American Sanders warranty as to the parts or systems repaired or altered by a non-authorized organization.

THE OBLIGATION OF AMERICAN SANDERS

- (1) The obligation of American Sanders under this warranty is limited to repairing or replacing, at its option, any part which is proven to be defective in material or workmanship under normal use for the applicable period stated above.
- (2) Warranty repairs will be made by your American Sanders Distributor without charge for parts and labor. They will be compensated with a warranty labor rate of \$45.00 per hour, for the first year of ownership.
- (3) Parts repaired or replaced under this warranty are warranted only during the balance of the original warranty period. All defective parts replaced under these warranties become the property of American Sanders.

WARRANTY SERVICE

To obtain warranty service, take your machine and proof of purchase to any authorized American Sander Distributor. American Sanders will not reimburse expenses for service calls or travel. For the Distributor in your area, call American Sanders Customer Service Department at 800-367-3550 or 336-372-8080. If you are dissatisfied with the service that you receive, call or write American Sanders Customer Service Department for further assistance.

INSTRUCTIONS AND CONDITIONS FOR WARRANTY REIMBURSEMENT

- Order replacement part: Orders will be processed and charged, as normal procedure.
- Call American Sanders for R/A number.
- You will need the Machine Serial Number and the Machine Model Number.
- Parts must be returned, accompanied with the R/A number to be eligible for warranty credit.
- All Warranty Parts will be shipped prepaid UPS Ground, any other method will be at the recipients expense.
- Freight on any Warranty Part after 30 days must be paid for by the Purchaser.
- Warranty labor rate is \$45.00 per hour.
- Credit will be issued upon completion of the above steps, at the above rates.

Transportation of hazardous waste or contaminated equipment is subject to various laws and regulations. In returning machines, parts, or accessories under this limited warranty, the end user must certify in writing that the machines, parts, or accessories being returned have not been used for handling, clean up, or disposal of hazardous waste or hazardous materials including but not limited to such things as asbestos, anthrax etc. or if the machines, parts, or accessories being returned have been used for handling, clean up, or disposal of hazardous waste or hazardous materials, then the end user must have the machines, parts or accessories decontaminated by licensed and qualified decontamination professionals and provide written certification of this decontamination signed by the decontamination professionals. These machines, parts or accessories are to be returned only to the local American Sanders Service Center for warranty service along with decontamination certification.

DISCLAIMER OF CONSEQUENTIAL

THERE ARE NO WARRANTIES THAT EXTEND BEYOND THE DESCRIPTION OF THE LIMITED WARRANTIES STATED WITHIN. NO OTHER WARRANTY, EXPRESSED OR IMPLIED, INCLUDING BUT NOT LIMITED TO ANY IMPLIED WARRANTY OF MERCHANTABILITY OR FITNESS FOR A PARTICULAR PURPOSE, IS MADE EXCEPT AS EXPRESSLY STATED HEREIN. ANY STATUTORY IMPLIED WARRANTIES, INCLUDING ANY WARRANTY OF MERCHANTABILITY OR FITNESS FOR A PARTICULAR PURPOSE, THAT ARE IMPOSED BY LAW DESPITE THE EXPRESS LIMITATION OR WARRANTIES ABOVE, ARE EXPRESSLY LIMITED TO THE DURATION OF THE WRITTEN WARRANTY. BUYER UNDERSTANDS, ACKNOWLEDGES AND AGREES THAT THE REMEDIES PROVIDED UNDER THIS LIMITED WARRANTY ARE THE SOLE AND EXCLUSIVE REMEDIES AVAILABLE TO THE BUYER. AMERICAN SANDERS DISCLAIMS ANY RESPONSIBILITY FOR LOSS OF USER TIME OF THE AMERICAN SANDERS MACHINE OR ANY OTHER INCIDENTAL OR CONSEQUENTIAL DAMAGES. THIS INCLUDES, BUT NOT LIMITED TO INDIRECT, SPECIAL OR CONSEQUENTIAL DAMAGES ARISING OUT OF OR IN CONNECTION WITH THE FURNISHING, PERFORMANCE, USE OF OR INABILITY TO USE THE MACHINE. ANY EXTENSIONS OF OR MODIFICATIONS MADE TO THIS WARRANTY BY A DEALER/DISTRIBUTOR OF AMERICAN SANDERS ARE THE SOLE RESPONSIBILITY OF THE DEALER/DISTRIBUTOR.

American Sanders reserves the right to change its warranty policy without notice.

Copyright 2017 American Sanders

Garantía limitada

RS-16, RS-16 DC Sander

PARA CALIFICAR PARA ESTA GARANTÍA

- (1) El equipo debe registrarse dentro de los 30 días a partir de la fecha de compra en un formulario proporcionado por American Sanders. Su distribuidor American Sanders es responsable del registro de su equipo. Coopere con su distribuidor brindando la información necesaria en la tarjeta.
- (2) El equipo debe haberse comprado en American Sanders o con un distribuidor autorizado de American Sanders.
- (3) Esta garantía se extiende al comprador original solamente y no se puede transferir a otros propietarios.

PERÍODOS DE TIEMPO

GARANTÍA DE UN (1) AÑO: Para el EZ-8 Sander.

Garantizado por estar libres de defectos en material y mano de obra por un período de un (1) año a partir de la fecha de compra por parte de los propietarios originales. (Consulte Exclusiones)

EXCLUSIONES (No cubiertas por la garantía)

- (1) Artículos desgastables y piezas que fallan debido al desgaste normal por sus características (cables, tambores, bandas, ruedas, cojinetes, filtros, bolsas u otras piezas consumibles).
- (2) Esta garantía no se extiende a partes afectadas por mal uso, negligencia, abuso, accidentes, daños en tránsito, sobrecarga de la capacidad de la máquina, fallas debido a la falta de mantenimiento o cuidado apropiados como se describe en las instrucciones de operación y mantenimiento. Todas las partes defectuosas se deben devolver al distribuidor para recibir un crédito.
- (3) Los ajustes menores, como el ajuste de tornillos o pernos no conectados con el reemplazo de piezas, no están cubiertos.
- (4) Las reparaciones o modificaciones realizadas por una organización que no sea la fábrica o un Centro de Servicio Autorizado no están cubiertas y anularán cualquier garantía de American Sanders en cuanto a las piezas o sistemas reparados o modificados por una organización no autorizada.

LA OBLIGACIÓN DE AMERICAN SANDERS

- (1) La obligación de American Sanders bajo esta garantía se limita a la reparación o reemplazo, a su elección, de cualquier parte que se compruebe tiene defectos de material o mano de obra durante el uso normal por el período aplicable antes mencionado.
- (2) El distribuidor de American Sanders realizará las reparaciones de garantía sin cargo por piezas y mano de obra. Ellos recibirán una compensación con una tarifa de mano de obra de garantía de \$45.00 por hora, por el primer año de propiedad.
- (3) Las partes reparadas o reemplazadas bajo esta garantía están cubiertas por la garantía solo durante el resto del período de la garantía original. Todas las partes defectuosas reemplazadas bajo estas garantías se convierten en propiedad de American Sanders.

SERVICIOS DE GARANTÍA

Para obtener servicio de garantía, lleve su equipo y prueba de compra a cualquier distribuidor autorizado de American Sanders. American Sanders no reembolsará los gastos por las llamadas o viajes para el servicio. Para el Distribuidor en su área, llame al Departamento de Servicio al Cliente de American Sanders al 800-367-3550 o al 336-372-8080. Si no está satisfecho con el servicio que recibe, llame o escriba al Departamento de Servicio al Cliente de American Sanders para recibir más ayuda.

INSTRUCCIONES Y CONDICIONES PARA EL REEMBOLSO DE GARANTÍA

- Pida la pieza de reemplazo: Los pedidos se procesarán y cobrarán, como un procedimiento normal.
- Llame a American Sanders para obtener el número de R/A.
- Necesitará el número de serie del equipo y el número de modelo del equipo.
- Las piezas se deben devolver, acompañadas con el número de R/A para ser elegible para el crédito por la garantía.
- Todas las piezas de garantía se deberán enviar prepagadas por servicio terrestre de UPS, cualquier otro método será a costa del beneficiario.
- El Comprador debe pagar el flete para cualquier pieza de la garantía después de 30 días.
- La tarifa de mano de obra de la garantía es de \$45.00 por hora.
- El crédito se emitirá al completar los pasos anteriores, en las tarifas anteriores.

El transporte de desechos peligrosos o equipos contaminados está sujeto a varias leyes y regulaciones. Al devolver equipo, piezas o accesorios según esta garantía limitada, el usuario final debe certificar por escrito que el equipo, piezas o accesorios que se devuelven no se han utilizado para la manipulación, limpieza o eliminación de residuos peligrosos o materiales peligrosos, incluyendo pero no limitado a cosas tales como asbestos, ántrax, etc. o si el equipo, piezas o accesorios que se devuelven han sido utilizados para la manipulación, limpieza o eliminación de residuos peligrosos o materiales peligrosos, entonces el usuario final debe tener el equipo, piezas o accesorios descontaminados por profesionales de la descontaminación autorizados y calificados y que proporcionen una certificación por escrito de esta descontaminación firmada por los profesionales de la descontaminación. Estos equipos, piezas o accesorios deben devolverse solo al Centro de Servicio American Sanders de la localidad para obtener el servicio de garantía junto con la certificación de descontaminación.

DESCARGO DE RESPONSABILIDAD DE DAÑOS Y PERJUICIOS

NO HAY GARANTÍAS QUE SE EXTIENDAN MÁS ALLÁ DE LA DESCRIPCIÓN DE LAS GARANTÍAS LIMITADAS INDICADAS. NINGUNA OTRA GARANTÍA, EXPRESA O IMPLÍCITA, INCLUYENDO PERO NO LIMITADO A CUALQUIER GARANTÍA IMPLÍCITA DE COMERCIALIZACIÓN O IDONEIDAD PARA UN PROPÓSITO EN PARTICULAR, SE HACE EXCEPTO COMO SE INDICA EXPRESAMENTE AQUÍ. CUALQUIER GARANTÍA LEGAL IMPLÍCITA, INCLUIDA CUALQUIER GARANTÍA DE COMERCIABILIDAD O IDONEIDAD PARA UN PROPÓSITO EN PARTICULAR, QUE SEA IMPUESTA POR LA LEY A PESAR DE LA LIMITACIÓN EXPRESA O LAS GARANTÍAS ANTERIORES, ESTÁ EXPRESAMENTE LIMITADA A LA DURACIÓN DE LA GARANTÍA ESCRITA. EL COMPRADOR ENTIENDE, RECONOCE Y ACEPTA QUE LOS RECURSOS PROVISTOS BAJO ESTA GARANTÍA LIMITADA SON LOS ÚNICOS Y EXCLUSIVOS RECURSOS DISPONIBLES PARA EL COMPRADOR. AMERICAN SANDERS SE LIBERA DE TODA RESPONSABILIDAD POR LA PÉRDIDA DE TIEMPO DEL USUARIO DEL EQUIPO AMERICAN SANDERS O CUALQUIER OTRO DAÑO INCIDENTAL O CONSECUENCIAL. ESTO INCLUYE, PERO NO ESTÁ LIMITADO A DAÑOS INDIRECTOS, ESPECIALES O CONSECUENCIALES DERIVADOS DE O RELACIONADOS CON EL SUMINISTRO, EL FUNCIONAMIENTO, EL USO O LA INCAPACIDAD DE USAR EL EQUIPO. CUALQUIER EXTENSIÓN O MODIFICACIÓN HECHA A ESTA GARANTÍA POR UN CONCESIONARIO/DISTRIBUIDOR DE AMERICAN SANDERS SON RESPONSABILIDAD EXCLUSIVA DEL CONCESIONARIO/DISTRIBUIDOR.

American Sanders se reserva el derecho de cambiar su política de garantía sin previo aviso.

Copyright 2018 American Sanders

Garantie limitée

Ponceuse RS-16, RS-16 DC

POUR ÊTRE ADMISSIBLE À LA PRÉSENTE GARANTIE

- (1) L'appareil doit être inscrit dans les 30 jours suivant la date d'achat à l'aide de la fiche fournie par American Sanders. L'enregistrement de votre appareil s'effectue auprès de votre distributeur American Sanders. Veuillez lui fournir tous les renseignements exigés sur la fiche.
- (2) L'appareil doit avoir été acheté auprès d'American Sanders ou d'un distributeur American Sanders autorisé.
- (3) La présente garantie n'est offerte qu'à l'acheteur initial et n'est pas transférable aux propriétaires subséquents.

PÉRIODES

GARANTIE D'UN (1) AN — Pour le modèle de ponceuse EZ-8.

Garanti contre tout défaut de matériaux et de main-d'œuvre pour une période d'un (1) an à compter de la date d'achat par le propriétaire initial. (Se reporter aux exclusions.)

EXCLUSIONS (Non couvert par la garantie)

- (1) Les produits et pièces consommables qui font défaut par suite d'une usure normale en raison de leurs caractéristiques (cordons, tambours, courroies, roulettes, roulements, filtres, sacs ou autres pièces consommables).
- (2) Cette garantie ne couvre pas les pièces brisées par suite d'abus, de mésusage, de négligence, d'accidents, de bris lors du transport, d'une surcharge de la capacité de l'appareil, d'une défaillance due au manque d'entretien ou de soins adéquats tels qu'ils sont décrits dans les instructions d'utilisation et d'entretien. Vous devez retourner les pièces défectueuses au distributeur pour vous les faire créditer.
- (3) Les ajustements mineurs, tels que le serrage de vis ou de boulons sans lien avec le remplacement de pièces, ne sont pas couverts.
- (4) Les réparations ou modifications réalisées par toute organisation autre que l'usine ou un centre de service autorisé ne sont pas couvertes et annuleront la garantie American Sanders en ce qui concerne les pièces ou systèmes réparés ou modifiés par une organisation non autorisée.

LES OBLIGATIONS D'AMERICAN SANDERS

- (1) Les obligations d'American Sanders en vertu de cette garantie se limitent à la réparation ou au remplacement, à sa discrétion, de toute pièce présentant un défaut avéré de matériaux ou de main-d'œuvre dans le cadre d'une utilisation normale pour la période applicable énoncée plus haut.
- (2) Les réparations sous garantie seront effectuées par votre distributeur American Sanders sans frais pour les pièces et la main-d'œuvre. Ce dernier sera rémunéré au taux de main-d'œuvre de 45,00 \$/h pour la première année de possession.
- (3) Les pièces réparées ou remplacées en vertu de cette garantie ne sont garanties que pendant le restant de la période originale de garantie. Toutes les pièces défectueuses remplacées en vertu de ces garanties deviennent la propriété d'American Sanders.

SERVICE SOUS GARANTIE

Pour obtenir du service sous garantie, apportez votre appareil et une preuve d'achat chez un distributeur American Sanders autorisé. American Sanders ne remboursera pas de frais engagés en lien avec des appels de service ou des déplacements. Pour connaître le distributeur de votre région, communiquez avec le service à la clientèle d'American Sanders au 800 367-3550 ou au 336 372-8080. Si vous n'êtes pas satisfait du service reçu, communiquez avec le service à la clientèle d'American Sanders pour obtenir de l'aide.

INSTRUCTIONS ET CONDITIONS POUR L'OBTENTION D'UN REMBOURSEMENT SOUS GARANTIE

- Commande de pièce de rechange : Les commandes sont traitées et facturées comme toute procédure normale.
- Communiquez avec American Sanders pour obtenir un numéro d'autorisation de renvoi.
- Il vous faudra le numéro de série et le numéro de modèle de l'appareil.
- Vous devez joindre le numéro d'autorisation de renvoi aux pièces renvoyées pour être admissible au crédit en vertu de la garantie.
- Toutes les pièces sous garantie sont expédiées UPS Ground prépayé; tout autre moyen d'expédition est au frais du destinataire.
- Le transport de toute pièce sous garantie après 30 jours doit être payé par l'acheteur.
- Le taux de main-d'œuvre sous garantie est de 45,00 \$/h.
- Le crédit est émis une fois toutes les étapes précédentes terminées, aux tarifs précités.

Le transport de déchets dangereux ou d'équipements contaminés est assujéti à différentes lois et réglementations. Au moment de retourner des appareils, des pièces ou des accessoires en vertu de cette garantie limitée, l'utilisateur final doit attester par écrit que les appareils, pièces ou accessoires retournés n'ont pas été utilisés pour la manipulation, le nettoyage ou l'élimination de déchets dangereux ou de matières dangereuses, y compris, mais sans s'y limiter, amiante, anthrax, etc. ou, si les appareils, pièces ou accessoires retournés ont été utilisés pour la manipulation, le nettoyage ou l'élimination de déchets dangereux ou de matières dangereuses, alors l'utilisateur final doit faire décontaminer les appareils, pièces ou accessoires par un professionnel de la décontamination qualifié et agréé et fournir une attestation écrite de cette décontamination signée par le professionnel de la décontamination. Ces appareils, pièces ou accessoires ne doivent être retournés qu'au centre de service American Sanders local pour un service sous garantie et être accompagnés de l'attestation de décontamination.

CLAUSE DE NON-RESPONSABILITÉ

AUCUNE GARANTIE N'EST CONSENTIE AU-DELÀ DE LA DESCRIPTION DES PRÉSENTES GARANTIES LIMITÉES. AUCUNE AUTRE GARANTIE, EXPRESSE OU IMPLICITE, Y COMPRIS, MAIS SANS S'Y LIMITER, TOUTE GARANTIE IMPLICITE DE QUALITÉ MARCHANDE OU D'ADAPTATION À UN EMPLOI PARTICULIER, N'EST FAITE HORMIS CELLES INDIQUÉES AUX PRÉSENTES. TOUTE GARANTIE LÉGALE IMPLICITE, Y COMPRIS TOUTE GARANTIE DE QUALITÉ MARCHANDE OU D'ADAPTATION À UN EMPLOI PARTICULIER, QUI EST IMPOSÉE PAR LA LOI MALGRÉ LES LIMITES OU GARANTIES EXPRESSES PRÉCÉDENTES, EST EXPRESSÉMENT LIMITÉE À LA DURÉE DE LA GARANTIE ÉCRITE. L'ACHETEUR COMPREND, RECONNAÎT ET CONVIENT QUE LE RECOURS PRÉVU EN VERTU DE CETTE GARANTIE LIMITÉE CONSTITUE LE SEUL ET UNIQUE RECOURS À SA DISPOSITION. AMERICAN SANDERS SE DÉGAGE DE TOUTE RESPONSABILITÉ À L'ÉGARD DU TEMPS D'UTILISATION DE L'APPAREIL AMERICAN SANDERS PERDU ET DE TOUT AUTRE DOMMAGE ACCESSOIRE OU CONSÉCUTIF. CELA COMPREND, MAIS SANS S'Y LIMITER, LES DOMMAGES INDIRECTS, PARTICULIERS OU CONSÉCUTIFS DÉCOULANT DIRECTEMENT OU INDIRECTEMENT DE LA PRESTATION, DE LA PERFORMANCE, DE L'UTILISATION DE L'APPAREIL OU DE L'IMPOSSIBILITÉ DE L'UTILISER. TOUTE PROLONGATION OU MODIFICATION DE CETTE GARANTIE EFFECTUÉE PAR UN CONCESSIONNAIRE OU UN DISTRIBUTEUR D'AMERICAN SANDERS RELÈVE ENTIÈREMENT DU CONCESSIONNAIRE OU DU DISTRIBUTEUR.

American Sanders se réserve le droit de changer sa politique de garantie sans préavis.

Copyright 2018 American Sanders



American Sanders

an AMANO Company

1 Eclipse Rd ● PO Box 909
Sparta, North Carolina 28675 ● USA
www.pioneereclipse.com
www.americansanders.com

+1-336-372-8080
1-800-367-3550
Fax 1-336-372-2913

EC Machinery Directive 2006/42/EC,
EC Restriction of Hazardous Substances Directive (2011/65/EU)
Harmonized Standards Applied: EN 12100-1, EN12100-2